

**iW-RainboW-G24M**  
**Intel Arria 10 SoC SOM FAN SINK**  
**ORDERING PART NUMBER: iW-FSKALU-CLASLR-CU01**

RELEASE HISTORY			
REL	CHANGES	DATE	BY
1.0	INITIAL RELEASE	21 JUL. 2020	IQBAL

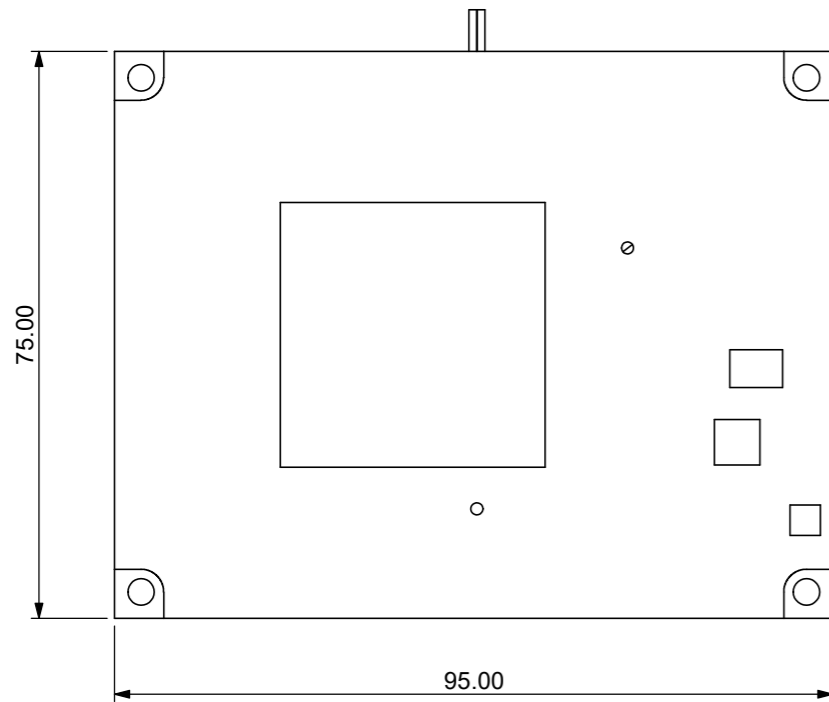


Fig 1.1

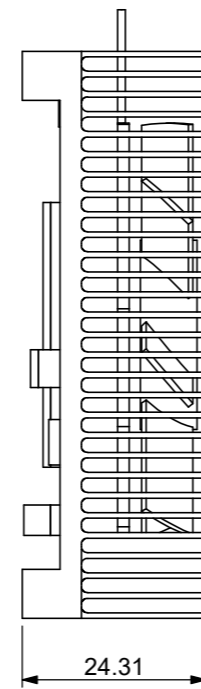


Fig 1.2

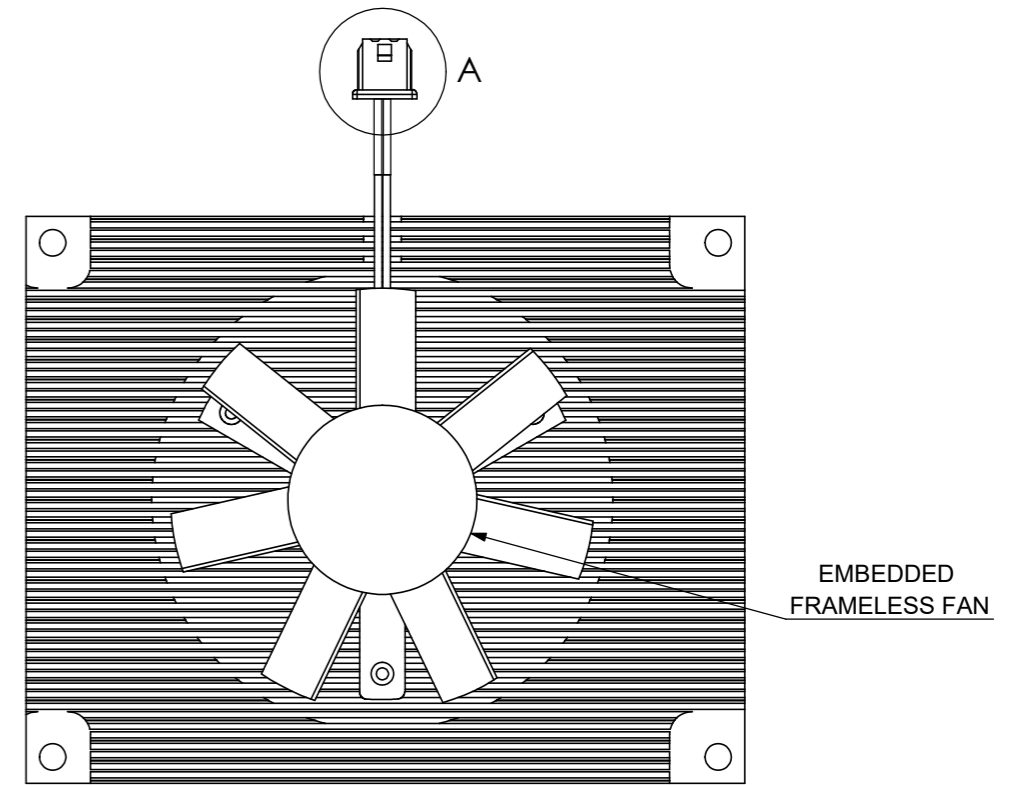


Fig 1.3

DETAIL A  
 SCALE 4 : 1

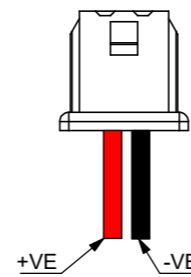


Fig 1.6

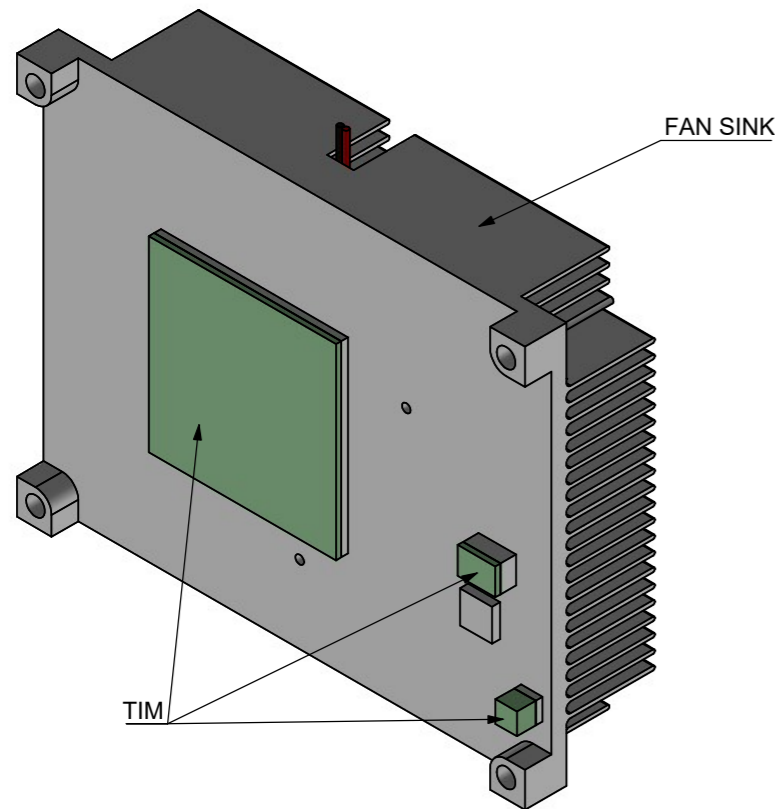


Fig 1.4

TABLE 1.1: FAN SPECIFICATIONS	
PART NO.	T056010BHZC0U3aR
DIMENSIONS	60X60X10.5mm
AIR FLOW	18.14CFM 0.51m3/min
STATIC PRESSURE	3.00mmH2O
RATED VOLTAGE	5V
LIFE EXPECTANCY	50,000hours at 40°C (WITH 15~65% RH)
ROHS	YES
CONNECTOR PART NO.	510210200
CABLE LENGTH	150mm

TABLE 1.2: TIM SPECIFICATIONS	
MATERIAL	SILICONE RUBBER BASED THERMAL PAD
THERMAL CONDUCTIVITY	12.5W/mK
FLAME RATING	V-0 AS PER UL 94
HARDNESS	50 Shore 00
WORKING TEMP.	-50~+150 °C
ROHS	YES

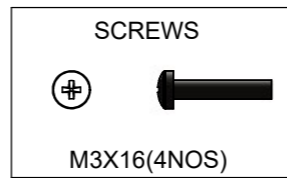


Fig 1.5

NOTES:  
 ALL DIMENSIONS ARE IN mm.  
 SCALE: 1:1

DRAWN BY	IQBAL
CHECKED BY	GANGADHAR
APPROVED BY	PRADAP
THIS DRAWING SHEET IS PROPRIETARY OF IWAVE SYSTEMS TECHNOLOGIES Pvt. Ltd.	
GENERAL TOLERANCES :	
X:	± 0.25
.X:	± 0.1
.XX:	± 0.01



**iWave System Technologies Private Limited,**  
 7/B, 29th Main, BTM Layout, 2nd Stage,  
 Bangalore-560076, India.

DRAWING NO: **iW-FSKALU-CLASLR-CU01-DS**

MATERIAL : AL 6063-T5 ALLOY WEIGHT: 140 g

FINISH : CLEAR ANODIZED

TITLE: **G24M-FPGA SOM FAN SINK DATA SHEET** REV: 3.0 REL: 1.0

DATE : 21 JUL. 2020 SHEET 1 OF 1