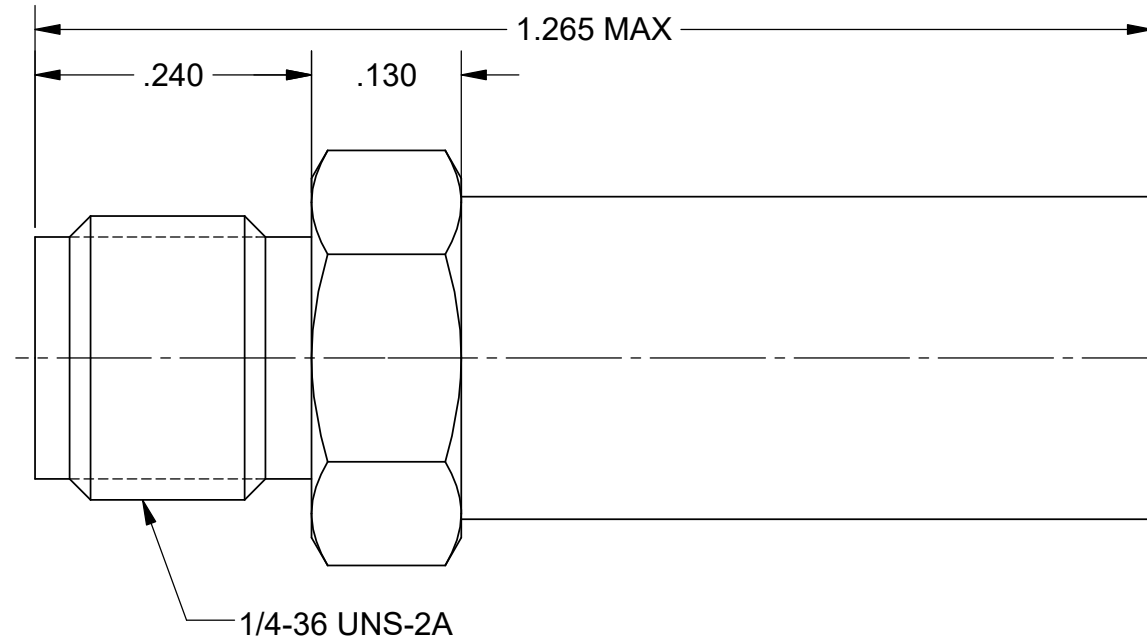
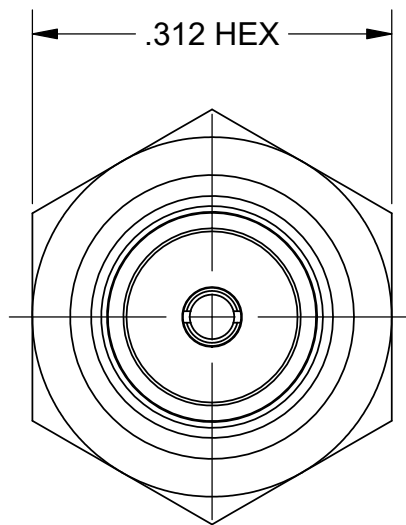
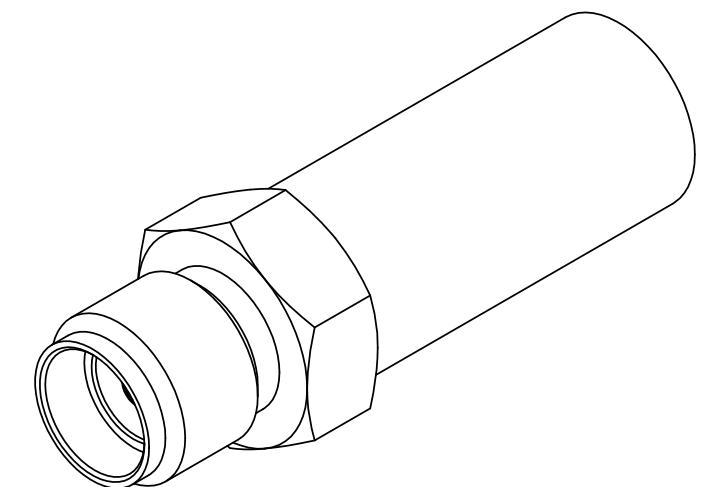


REVISION HISTORY			
REV	DESCRIPTION	DATE	APPROVED
-	NRN 42293	05/18	STW



- MATERIAL:**  
 BODY & PRESS-RING: STAINLESS STEEL PER AMS 5640 ALLOY UNS S30300, TYPE 1 OR ASTM A582, TYPE 303.
- CONTACT:** BERYLLIUM COPPER PER ASTM B196, ALLOY No. UNS C17300, TD04.
- CRIMP RING:** BRASS PER ASTM B16, ALLOY UNS C36000
- INSULATOR:** PTFE PER ASTM D1710, TYPE I, GRADE 1, CLASS B.
- SHRINK TUBING:** PER M23053/4
- FINISH:**  
 BODY & PRESS-RING: PASSIVATED PER AMS 2700, TYPE 2.
- CONTACT:** GOLD PER ASTM B488, TYPE II, CODE C, CLASS 1.27, OVER NICKEL PER AMS-QQ-N-290, CLASS 1, .000050" MIN.
- CRIMP RING:** NICKEL PER AMS-QQ-N-290, CLASS 2, .000050" MIN.
- PERFORMANCE:**  
 IMPEDANCE: 50 OHMS  
 FREQ. RANGE: DC TO 12.4 GHz  
 VSWR: 1.15+.01F(F IN GHz) DC TO 12.4 GHz  
 INSERTION LOSS: .06 X SQRTF(F IN GHz)  
 DWV: 1000 VRMS  
 OPER. TEMP.: -65°C TO +165°C



MATERIAL: PER BOM	DIMENSIONS ARE IN INCHES TOLERANCES: FRACTIONAL: ±1/64 ANGULAR: X° ±1'0" X'X' ±15'	UNLESS OTHERWISE SPECIFIED 1) ALL DIMENSIONS ARE AFTER PLATING. 2) BREAK CORNERS & EDGES .005 R. MAX. 3) CHAM. 1ST & LAST THREADS. 4) SURFACE ROUGHNESS 63√ MIL-STD-10. 5) DIA.'S ON COMMON CENTERS TO BE CONCENTRIC WITHIN .005 T.I.R. 6) REMOVE ALL BURRS	 2400 Centrepark West Drive, Suite 100 West Palm Beach, FL 33409
FINISH: PER BOM	DECIMAL: X ±.030 .XX ±.010 .XXX ±.005	INTERPRET DIMENSIONS AND TOLERANCES PER ASME Y14.5M - 1994	
<b>PROPRIETARY</b> THE INFORMATION CONTAINED IN THIS DRAWING IS THE SOLE PROPERTY OF SV MICROWAVE, INC. ANY REPRODUCTION IN PART OR AS A WHOLE WITHOUT THE WRITTEN PERMISSION OF SV MICROWAVE, INC IS PROHIBITED.	THIRD ANGLE PROJECTION 	DRAWN: JMS 05/15/18 CHECKED: STW 05/15/18 APPROVED: STW 05/15/18 E.M. SIMULATION: N/A	TITLE: SMA FEMALE RG142 CABLE CRIMP TYPE SIZE: B CAGE CODE: 95077 DWG. NO.: M39012/57B3015 SCALE: 6:1