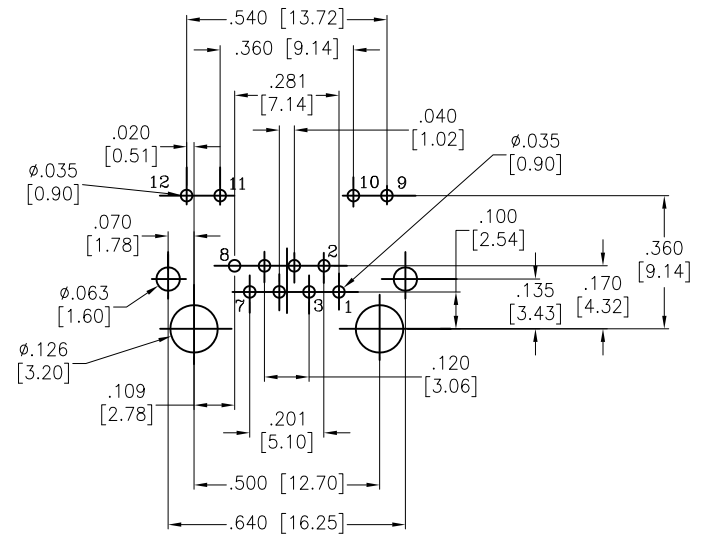
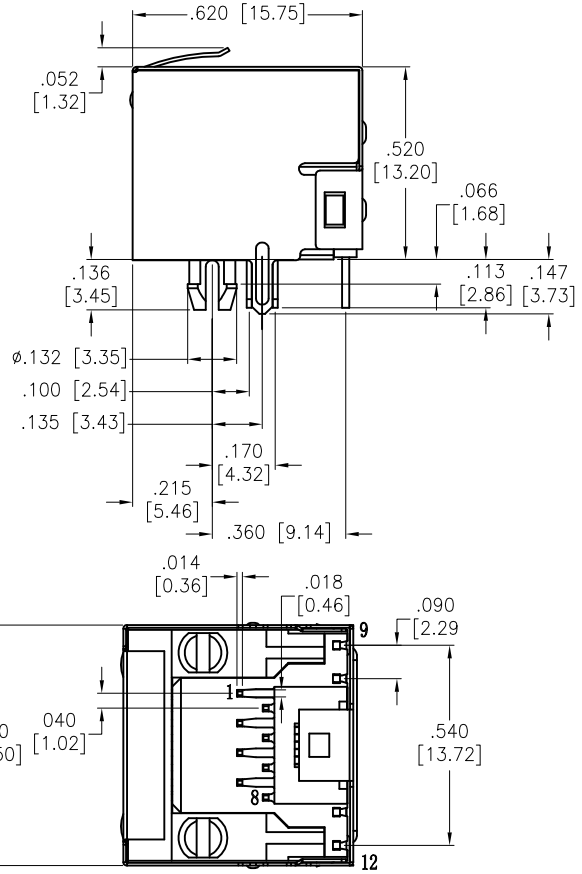
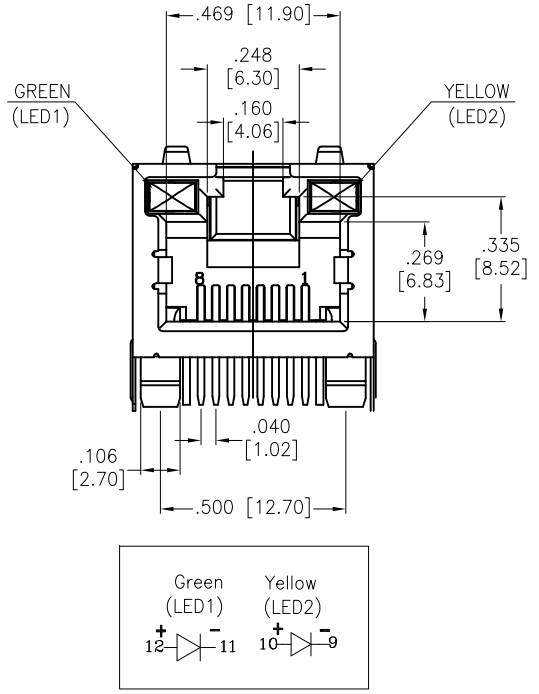


APPROVED: _____
 DATE: _____ TITLE: _____

Rev	AWO #	Description	Date	Appr
-		RELEASED	4/11/06	
A		REVISED SHAPE	12/17/10	
B		ADDED PANEL CUTOUT AND JACK LOCATION	8/14/12	
C		REVISED HEIGHT DIMENSION	8/21/12	
D		UPDATE DRAWING	9/5/17	AYYC



RECOMMENDED PCB LAYOUT

SPECIFICATIONS:
 Material:
 Insulator: PBT, glass reinforced, rated UL 94V-0
 Insulator color: Black
 Contacts: Phosphor Bronze
 Shield: Brass, Nickel plated
 Contacts Plating:
 Round contact
 Gold over Nickel underplate overall
 Flat contact
 Gold over Nickel underplate on contact area,
 Tin over Nickel underplate on solder tails
Electrical:
 Voltage rating: 150 VAC rms
 Current rating: 1.5 Amps max
 Contact resistance: 20 mohms max. initial
 Insulation resistance: 1000 Mohms min @ 500 VDC
 Dielectric withstanding voltage:
 Contact to Contact: 1,000 VDC or AC Peak for 1 minute
 Contact to Screen and Test panel: 1,500 VDC or AC Peak for 1 minute
Temperature Rating:
 Operating temperature: -40°C to +85°C
 Environmental:
 Lead free, RoHS compliant.



UNLESS OTHERWISE SPECIFIED
 ALL DIMENSIONS ARE INCHES [MM]
 TOLERANCES: EXCEPT AS NOTED

INCHES		HOLES	
.X	± .10 [2.54]	∅.X	± .10 [2.54]
.XX	± .020 [.51]	∅.XX	± .015 [.38]
.XXX	± .015 [.38]	∅.XXX	± .010 [.25]

APPROVALS		DATE
DRAWN	LFJ	4/11/06
CHECKED		
APPROVED		

ADAM TECH
 INTERCONNECTS
 909 Rahway Avenue,
 Union, NJ 07083
 Phone: 908-687-5000
 Fax: 908-687-5710

TITLE MODULAR TELEPHONE JACK, R/A W/ PANEL GROUNDS, LED'S		
SIZE X	PART NO. MTJ-88ARX1-FSM-PG-LH	REV. D
REF: S00005C	SCALE: NTS	SHEET 1 OF 1