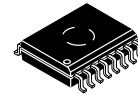


# 5 kV<sub>rms</sub> 4.5-A/9-A Isolated Dual Channel Gate Driver

## NCP51560



SOIC-16 WB  
CASE 751G-03

The NCP51560 are isolated dual-channel gate drivers with 4.5-A/9-A source and sink peak current respectively. They are designed for fast switching to drive power MOSFETs, and SiC MOSFET power switches. The NCP51560 offers short and matched propagation delays.

Two independent and 5 kV<sub>rms</sub> internal galvanic isolation from input to each output and internal functional isolation between the two output drivers allows a working voltage of up to 1500 V<sub>DC</sub>. This driver can be used in any possible configurations of two low side, two high-side switches or a half-bridge driver with programmable dead time.

An ENA/DIS pin shutdowns both outputs simultaneously when set low or high for ENABLE or DISABLE mode respectively. The NCP51560 offers other important protection functions such as independent under-voltage lockout for both gate drivers and a Dead Time adjustment function

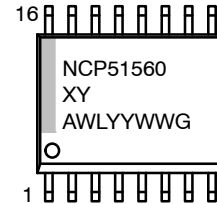
### Features

- Flexible: Dual Low-Side, Dual High-Side or Half-Bridge Gate Driver
- 4.5 A Peak Source, 9 A Peak Sink Output Current Capability
- Independent UVLO Protections for Both Output Drivers
- Output Supply Voltage from 6.5 V to 30 V with 5-V and 8-V for MOSFET, 13-V and 17-V UVLO for SiC, Thresholds.
- Common Mode Transient Immunity CMTI > 200 V/ns
- Propagation Delay Typical 38 ns with
  - ◆ 5 ns Max Delay Matching per Channel
  - ◆ 5 ns Max Pulse-Width Distortion
- User Programmable Input Logic
  - ◆ DISABLE Mode
- User Programmable Dead-Time
- Isolation & Safety
  - ◆ 5 kV<sub>rms</sub> Isolation for 1 Minute (per UL1577 Requirements)
  - ◆ 8000 V<sub>PK</sub> Reinforced Isolation Voltage (per VDE0884-11 Requirements)
  - ◆ CQC Certification per GB4943.1-2011
  - ◆ SGS FIMO Certification per IEC 62386-1
- These are Pb-Free Devices

### Typical Applications

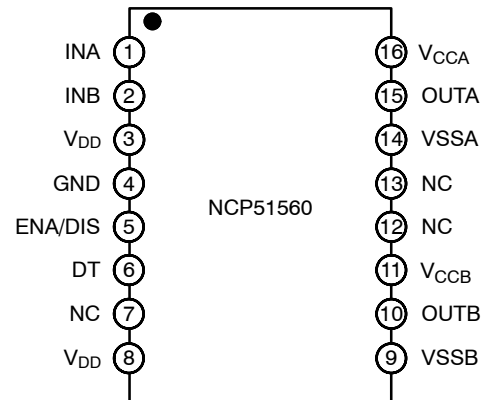
- Motor Drives
- Isolated Converters in DC-DC and AC-DC Power Supply
- Server, Telecom, and Industrial Infrastructures

### MARKING DIAGRAM



NCP51560 = Specific Device Code  
 X = A or B or C or D for UVLO Option  
 Y = A or B for ENABLE/DISABLE  
 A = Assembly Location  
 WL = Wafer Lot  
 YY = Year  
 WW = Work Week  
 G = Pb-Free Package

### PIN ASSIGNMENT

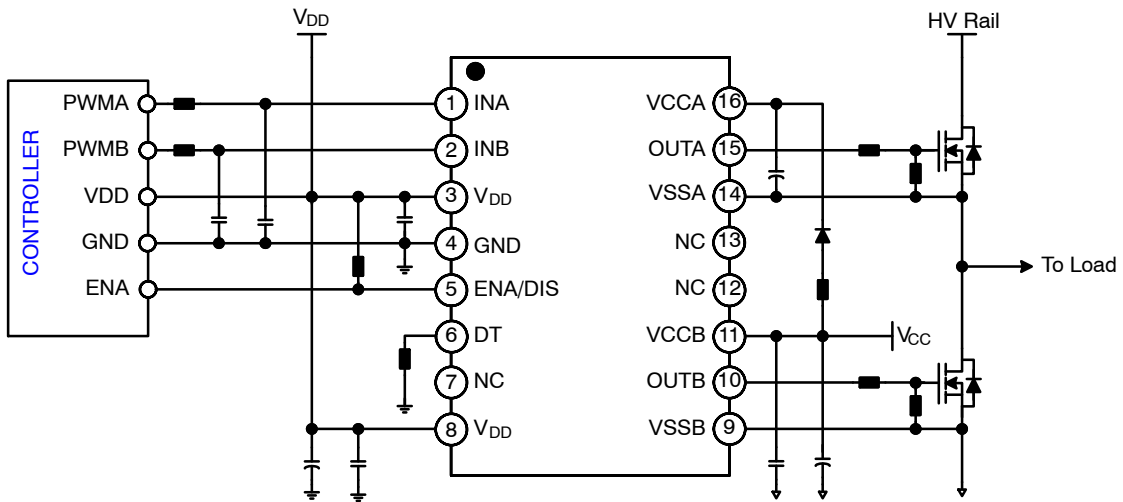


### ORDERING INFORMATION

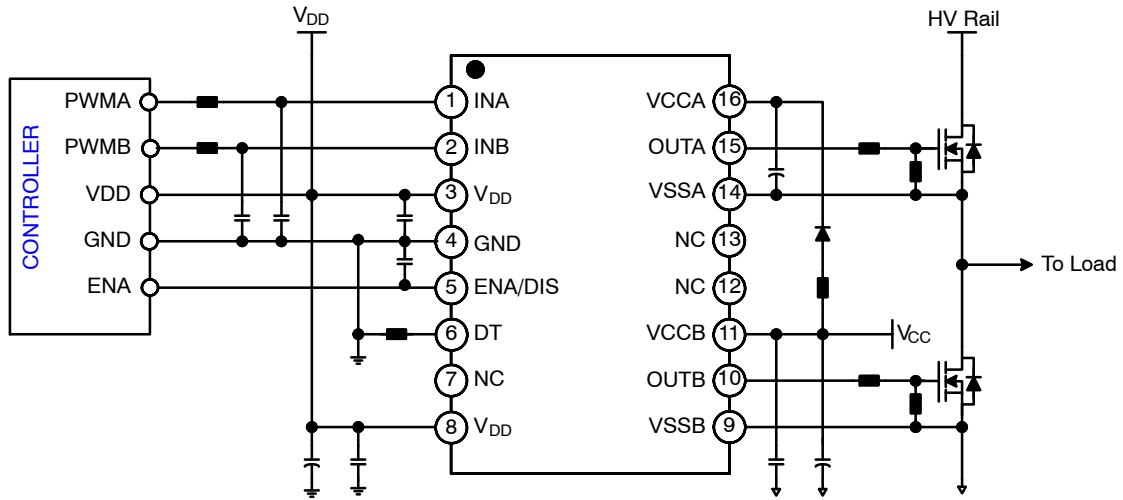
See detailed ordering and shipping information on page 28 of this data sheet.

# NCP51560

## TYPICAL APPLICATION CIRCUIT



(a) High and Low Side MOSFET Gate Drive for ENABLE Version

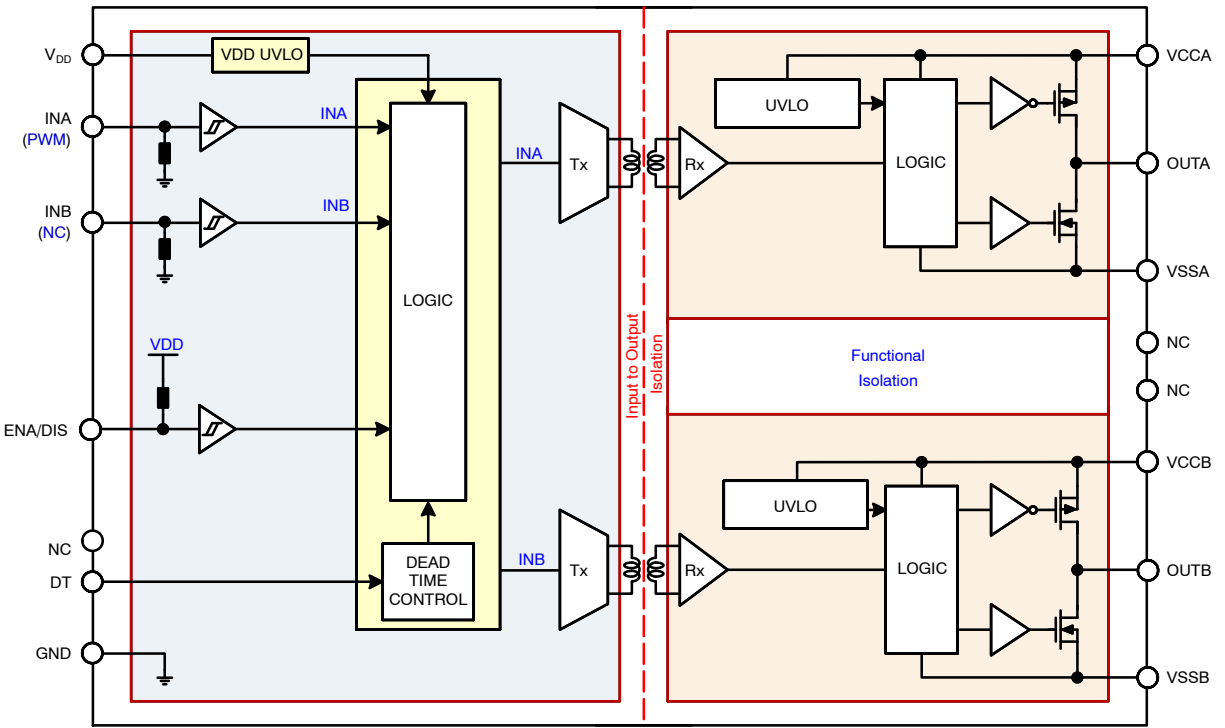


(b) High and Low Side MOSFET Gate Drive for DISABLE Version

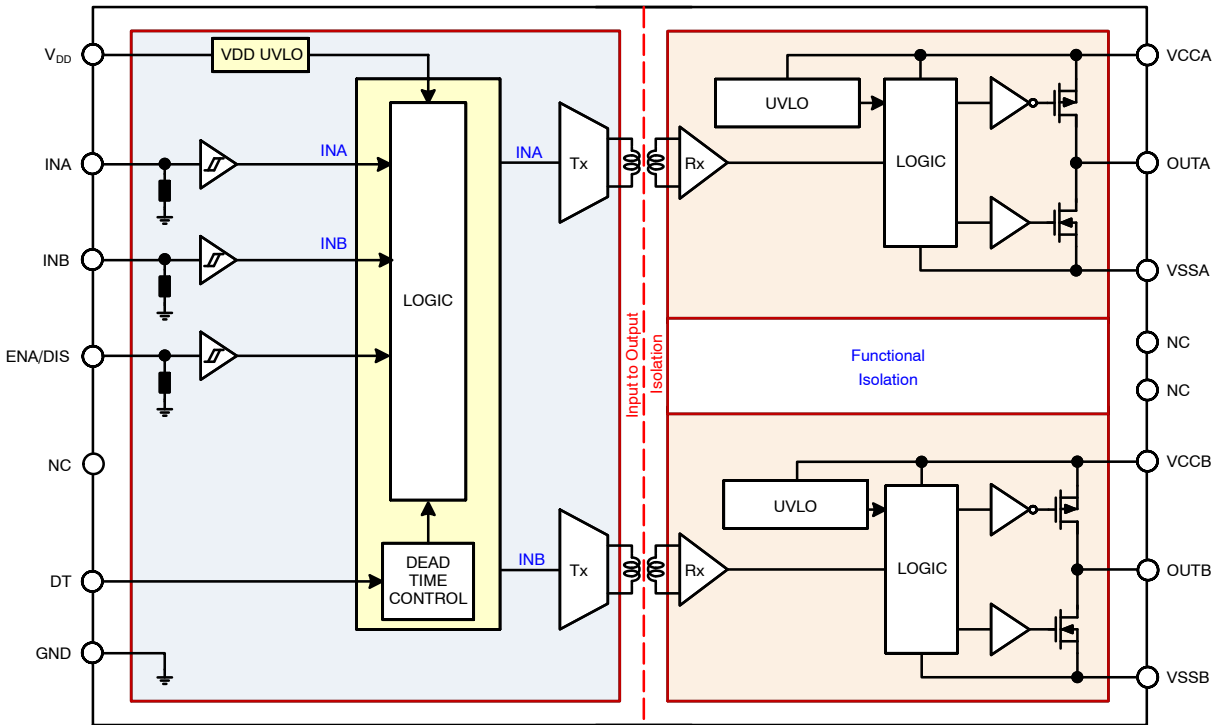
Figure 1. Application Schematic

# NCP51560

## FUNCTIONAL BLOCK DIAGRAM



(a) For Only ENABLE (NCP51560xA) Version



(b) For Only DISABLE (NCP51560xB) Version

**Figure 2. Simplified Block Diagram**

# NCP51560

## FUNCTIONAL TABLE

INPUT				UVLO			GATE DRIVE OUTPUT	
ENA/DIS (Note 3)		INA	INB	Input Side (V <sub>DD</sub> )	Output Side		OUTA	OUTB
ENABLE	DISABLE				Channel A (V <sub>CCA</sub> )	Channel B (V <sub>CCB</sub> )		
X	X	X	X	Active	X	X	L	L
X	X	X	X	X	Active	Active	L	L
H	L	X	L	Inactive	Active	Inactive	L	L
H	L	X	H	Inactive	Active	Inactive	L	H
H	L	L	X	Inactive	Inactive	Active	L	L
H	L	H	X	Inactive	Inactive	Active	H	L
L	H	X	X	Inactive	Inactive	Inactive	L	L
H	L	L	L	Inactive	Inactive	Inactive	L	L
H	L	L	H	Inactive	Inactive	Inactive	L	H
H	L	H	H	Inactive	Inactive	Inactive	L (Note 4)	L (Note 4)
				Inactive	Inactive	Inactive	H (Note 5)	H (Note 5)

1. "L" means that LOW, "H" means that HIGH and X: Any Status
2. Inactive means that V<sub>DD</sub>, V<sub>CCA</sub>, and V<sub>CCB</sub> are above UVLO threshold voltage (Normal operation)  
Active means that UVLO disables the gate driver output stage.
3. Disables both gate drive output when the ENA/DIS pin is LOW in ENABLE version, which is default is HIGH, if this pin is open.  
Enables both gate drive output when the ENA/DIS pin is LOW in DISABLE version, which is default is LOW, if this pin is open.
4. DT pin is left open or programmed with R<sub>DT</sub>.
5. DT pin pulled to V<sub>DD</sub>.

# NCP51560

## PIN CONNECTIONS

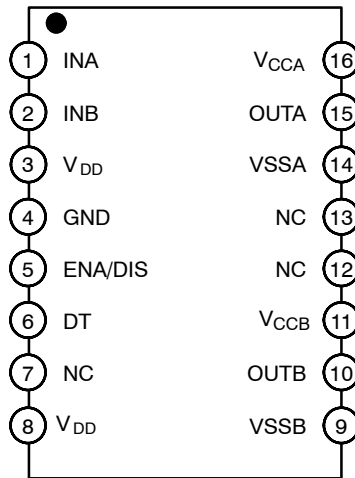


Figure 3. Pin Connections – SOIC-16 WB (Top View)

### PIN DESCRIPTION

Pin No.	Symbol	I/O	Description
1	INA	Input	Logic Input for Channel A with internal pull-down resistor to GND
2	INB	Input	Logic Input for Channel B with internal pull-down resistor to GND.
3, 8	V <sub>DD</sub>	Power	Input-side Supply Voltage. It is recommended to place a bypass capacitor from V <sub>DD</sub> to GND.
4	GND	Power	Ground Input-side. (all signals on input-side are referenced to this pin)
5	ENA/DIS	Input	Logic Input High Enables Both Output Channels with Internal pull-up resistor for an ENABLE version. Conversely, Logic Input High disables Both Output Channels with Internal pull-down resistor for the DISABLE version.
6	DT	Input	Input for programmable Dead-Time It provides three kind of operating modes according to the DT pin voltage as below. <b>Mode-A:</b> Cross-conduction both channel outputs is not allowed even though dead-time is less than maximum 20 ns when the DT pin is floating (Open). <b>Mode-B:</b> Dead-time is adjusted according to an external resistance (R <sub>DT</sub> ). $t_{DT}$ (in ns) = 10 × R <sub>DT</sub> (in kΩ) Recommended dead-time resistor (R <sub>DT</sub> ) values are between 1 kΩ and 300 kΩ. <b>MODE-C:</b> Cross-conduction both channel outputs is allowed when the DT pin pulled to V <sub>DD</sub> .
7	NC	–	No Connection; Keep pin floating.
9	VSSB	Power	Ground for Channel B
10	OUTB	Output	Output for Channel B
11	VCCB	Power	Supply Voltage for Output Channel B. It is recommended to place a bypass capacitor from VCCB to VSSB.
12, 13	NC	–	No Connection; Keep pin floating
14	VSSA	Power	Ground for Channel A
15	OUTA	Output	Output of Channel A
16	VCCA	Power	Supply Voltage for Output Channel A. It is recommended to place a bypass capacitor from VCCA to VSSA.

# NCP51560

## SAFETY AND INSULATION RATINGS

Symbol	Parameter	Min.	Typ.	Max.	Unit	
	Installation Classifications per DIN VDE 0110/1.89 Table 1 Rated Mains Voltage	< 150 VRMS	-	I-IV	-	-
		< 300 VRMS		I-IV	-	-
		< 450 VRMS		I-IV	-	-
		< 600 VRMS		I-IV	-	-
		< 1000 VRMS		I-III	-	-
CTI	Comparative Tracking Index (DIN IEC 112/VDE 0303 Part 1)	600	-	-	-	
	Climatic Classification		40/125/21	-	-	
	Pollution Degree (DIN VDE 0110/1.89)		2	-	-	
VPR	Input – to – Output Test Voltage, Method b, $V_{IORM} \times 1.875 = V_{PR}$ , 100% Production Test with $t_m = 1$ s, Partial Discharge < 5 pC	2250	-	-	V <sub>PK</sub>	
V <sub>IORM</sub>	Maximum Repetitive Peak Isolation Voltage	1200	-	-	V <sub>PK</sub>	
V <sub>IOWM</sub>	Maximum Working Isolation Voltage	1200	-	-	V <sub>DC</sub>	
V <sub>IOTM</sub>	Maximum Transient Isolation Voltage	8000	-	-	V <sub>PK</sub>	
ECR	External Creepage	8.0	-	-	mm	
ECL	External Clearance	8.0	-	-	mm	
DTI	Insulation Thickness	17.3	-	-	μm	
R <sub>IO</sub>	Insulation Resistance at T <sub>S</sub> , V <sub>IO</sub> = 500 V	10 <sup>9</sup>	-	-	Ω	

### UL1577

V <sub>ISO</sub>	Withstand isolation voltage	$V_{TEST} = V_{ISO} = 5000 V_{RMS}$ , t = 60 sec. (qualification), $V_{TEST} = 1.2 \times V_{ISO} = 6000 V_{RMS}$ , t = 1 sec (100% production)	5000	-	-	V <sub>RMS</sub>
------------------	--------------------------------	--	------	---	---	------------------

# NCP51560

## SAFETY LIMITING VALUE

Symbol	Parameter		Side	Min	Typ	Max	Unit
P <sub>S</sub>	Safety Supply Power	Maximum Values in Failure; Input Power	P <sub>S,INPUT</sub>	–	–	88	mW
		Maximum Values in Failure; Output Power	P <sub>S,OUT</sub>	–	–	1412	
		Maximum Values in Failure; Total Power	P <sub>S,TOTAL</sub>	–	–	1500	
T <sub>S</sub>	Safety Temperature	Maximum Values in Failure; Case Temperature		–	–	150	°C

## MAXIMUM RATINGS

Symbol	Parameter	Min	Max	Unit	
V <sub>DD</sub> to GND	Power Supply Voltage – Input Side (Note 7)	–0.3	5.5	V	
V <sub>CCA</sub> – V <sub>VSSA</sub> , V <sub>CCB</sub> – V <sub>VSSB</sub>	Power Supply Voltage – Driver Side (Note 8)	–0.3	33	V	
OUTA to V <sub>VSSA</sub> , OUTB to V <sub>VSSB</sub>	Driver Output Voltage (Note 8)	–0.3	V <sub>CCA</sub> + 0.3, V <sub>CCB</sub> + 0.3	V	
OUTA to V <sub>VSSA</sub> , OUTB to V <sub>VSSB</sub> , Transient for 200 ns (Note 9)		–2	V <sub>CCA</sub> + 0.3, V <sub>CCB</sub> + 0.3	V	
INA and INB	Input Signal Voltages (Note 7)	–5	20	V	
ENA/DIS	Input Signal Voltages (Note 7)	–0.3	5.5	V	
ENA/DIS Transient for 50ns (Note 9)		–5	5.5	V	
DT	Dead Time Control (Note 7)	–0.3	V <sub>DD</sub> + 0.3	V	
V <sub>VSSA</sub> –V <sub>VSSB</sub> , V <sub>VSSB</sub> –V <sub>VSSA</sub>	Channel to Channel Voltage	1500	–	V	
T <sub>J</sub>	Junction Temperature	–40	+150	°C	
T <sub>S</sub>	Storage Temperature	–65	+150	°C	
Electrostatic Discharge Capability	HBM (Note 10)	Human Body Model	–	±2	kV
	CDM (Note 10)	Charged Device Model	–	±1	kV

Stresses exceeding those listed in the Maximum Ratings table may damage the device. If any of these limits are exceeded, device functionality should not be assumed, damage may occur and reliability may be affected.

6. Refer to ELECTRICAL CHARACTERISTICS, RECOMMENDED OPERATING RANGES and/or APPLICATION INFORMATION for Safe Operating parameters.
7. All voltage values are given with respect to GND pin.
8. All voltage values are given with respect to V<sub>VSSA</sub> or V<sub>VSSB</sub> pin.
9. This parameter verified by design and bench test, not tested in production.
10. This device series incorporates ESD protection and is tested by the following methods:  
 ESD Human Body Model tested per AEC-Q100-002 (EIA/JESD22-A114)  
 ESD Charged Device Model tested per AEC-Q100-011 (EIA/JESD22-C101)  
 Latch up Current Maximum Rating: ≤100 mA per JEDEC standard: JESD78F.

# NCP51560

## RECOMMENDED OPERATING CONDITIONS

Symbol	Rating	Min	Max	Unit	
$V_{DD}$	Power Supply Voltage – Input Side	3.0	5.0	V	
$V_{CCA}, V_{CCB}$	Power Supply Voltage – Driver Side	5-V UVLO Version	6.5	30	V
		8-V UVLO Version	9.5	30	V
		13-V UVLO Version	14.5	30	V
		17-V UVLO Version	18.5	30	V
$V_{IN}$	Logic Input Voltage at Pins INA, and INB	0	18	V	
$V_{ENA/DIS}$	Logic Input Voltage at Pin ENA/DIS	0	5.0	V	
$T_A$	Ambient Temperature	-40	+125	°C	
$T_J$	Junction Temperature	-40	+125	°C	

Functional operation above the stresses listed in the Recommended Operating Ranges is not implied. Extended exposure to stresses beyond the Recommended Operating Ranges limits may affect device reliability.

## THERMAL CHARACTERISTICS

Symbol	Rating	Condition	Value	Unit
$R_{\theta JA}$	Thermal Characteristics, (Note 12) Thermal Resistance Junction–Air 16–SOIC–WB	100 mm <sup>2</sup> , 1 oz Copper, 1 Surface Layer (1S0P)	120	°C/W
		100 mm <sup>2</sup> , 2 oz Copper, 1 Surface Layer (1S0P)	81	
$R_{\theta JC}$	Thermal Resistance Junction–Case	100 mm <sup>2</sup> , 1 oz Copper, 1 Surface Layer (1S0P)	38	°C/W
$\Psi_{JT}$	Thermal Resistance Junction–to–Top		18	°C/W
$\Psi_{JB}$	Thermal Resistance Junction–to–Board		55	°C/W
$P_D$	Power Dissipation (Note 12) 16–SOIC–WB	100 mm <sup>2</sup> , 1 oz Copper, 1 Surface Layer (1S0P)	0.8	W
		100 mm <sup>2</sup> , 2 oz Copper, 1 Surface Layer (1S0P)	1.5	

11. Refer to ELECTRICAL CHARACTERISTICS, RECOMMENDED OPERATING RANGES and/or APPLICATION INFORMATION for Safe Operating parameters.

12. JEDEC standard: JESD51–2, and JESD51–3.

## ISOLATION CHARACTERISTICS

Symbol	Parameter	Condition	Min	Typ	Max	Unit
$V_{ISO, INPUT TO OUTPUT}$	Input to Output Isolation Voltage	$T_A = 25^\circ\text{C}$ , Relative Humidity < 50%, $t = 1.0$ minute, $I_{I-O} 10$ A, 50 Hz (Notes 13, 14, 15)	5000	–	–	$V_{RMS}$
$V_{ISO, OUTA TO OUTB}$	OUTA to OUTB Isolation Voltage		1500	–	–	$V_{DC}$
$R_{ISO}$	Isolation Resistance	$V_{I-O} = 500$ V (Note 13)	$10^{11}$	–	–	$\Omega$

13. Device is considered a two – terminal device: pins 1 to 8 are shorted together and pins 9 to 16 are shorted together for input to output isolation test, and pins 9 to 11 are shorted together and pins 14 to 16 are shorted together for between channel isolation test.

14. 5,000  $V_{RMS}$  for 1 – minute duration is equivalent to 6,000  $V_{RMS}$  for 1 – second duration for input to output isolation test, and Impulse Test > 10 ms; sample tested for between channel isolation test.

15. The input – output isolation voltage is a dielectric voltage rating per UL1577. It should not be regarded as an input – output continuous voltage rating. For the continuous working voltage rating, refer to equipment – level safety specification or DIN VDE V 0884 – 11 Safety and Insulation Ratings Table



# NCP51560

**ELECTRICAL CHARACTERISTICS** ( $V_{DD} = 5\text{ V}$ ,  $V_{CCA} = V_{CCB} = 12\text{ V}$ , or  $20\text{ V}$  (Note 17) and  $V_{SSA} = V_{SSB}$ , for typical values  $T_J = T_A = 25^\circ\text{C}$ , for min/max values  $T_J = -40^\circ\text{C}$  to  $+125^\circ\text{C}$ , unless otherwise specified. (Note 16)

Symbol	Parameter	Condition	Min	Typ	Max	Unit
<b>PRIMARY POWER SUPPLY SECTION (<math>V_{DD}</math>)</b>						
$I_{QVDD}$	$V_{DD}$ Quiescent Current	$V_{INA} = V_{INB} = 0\text{ V}$ , $V_{ENABLE} = V_{DD}$ or $V_{DISABLE} = 0\text{ V}$	500	780	1000	$\mu\text{A}$
		$V_{INA} = V_{INB} = 5\text{ V}$ , $V_{ENABLE} = 0\text{ V}$ or $V_{DISABLE} = V_{DD}$	500	820	1000	$\mu\text{A}$
		$V_{INA} = V_{INB} = 5\text{ V}$ , $V_{ENABLE} = V_{DD}$ or $V_{DISABLE} = 0\text{ V}$	7	12	16	$\text{mA}$
$I_{VDD}$	$V_{DD}$ Operating Current	$f_{IN} = 500\text{ kHz}$ , 50% duty cycle, $C_{OUT} = 100\text{ pF}$	5.0	7.15	9.0	$\text{mA}$
$V_{DDUV+}$	$V_{DD}$ Supply Under-Voltage Positive-Going Threshold	$V_{DD} = \text{Sweep}$	2.7	2.8	2.9	$\text{V}$
$V_{DDUV-}$	$V_{DD}$ Supply Under-Voltage Negative-Going Threshold	$V_{DD} = \text{Sweep}$	2.6	2.7	2.8	$\text{V}$
$V_{DDHYS}$	$V_{DD}$ Supply Under-Voltage Lockout Hysteresis	$V_{DD} = \text{Sweep}$	-	0.1	-	$\text{V}$
<b>SECONDARY POWER SUPPLY SECTION (<math>V_{CCA}</math> AND <math>V_{CCB}</math>)</b>						
$I_{QVCCA}$ $I_{QVCCB}$	$V_{CCA}$ and $V_{CCB}$ Quiescent Current	$V_{INA} = V_{INB} = 0\text{ V}$ , per channel	200	280	500	$\mu\text{A}$
		$V_{INA} = V_{INB} = 5\text{ V}$ , per channel	300	410	600	$\mu\text{A}$
$I_{VCCA}$ $I_{VCCB}$	$V_{CCA}$ and $V_{CCB}$ Operating Current	Current per channel ( $f_{IN} = 500\text{ kHz}$ , 50% duty cycle), $C_{OUT} = 100\text{ pF}$	2.0	3.0	5.5	$\text{mA}$
<b><math>V_{CCA}</math> and <math>V_{CCB}</math> UVLO THRESHOLD (5-V UVLO VERSION)</b>						
$V_{CCAUV+}$ $V_{CCBUV+}$	$V_{CCA}$ and $V_{CCB}$ Supply Under-Voltage Positive-Going Threshold		5.7	6.0	6.3	$\text{V}$
$V_{CCAUV-}$ $V_{CCBUV-}$	$V_{CCA}$ and $V_{CCB}$ Supply Under-Voltage Negative-Going Threshold		5.4	5.7	6.0	$\text{V}$
$V_{CCHYS}$	Under-Voltage Lockout Hysteresis		-	0.3	-	$\text{V}$
$t_{UVFLT}$	Under-Voltage Debounce Time (Note 18)		-	-	10	$\mu\text{s}$
<b><math>V_{CCA}</math> and <math>V_{CCB}</math> UVLO THRESHOLD (8-V UVLO VERSION)</b>						
$V_{CCAUV+}$ $V_{CCBUV+}$	$V_{CCA}$ and $V_{CCB}$ Supply Under-Voltage Positive-Going Threshold		8.3	8.7	9.2	$\text{V}$
$V_{CCAUV-}$ $V_{CCBUV-}$	$V_{CCA}$ and $V_{CCB}$ Supply Under-Voltage Negative-Going Threshold		7.8	8.2	8.7	$\text{V}$
$V_{CCHYS}$	Under-Voltage Lockout Hysteresis		-	0.5	-	$\text{V}$
$t_{UVFLT}$	Under-Voltage Debounce Time (Note 18)		-	-	10	$\mu\text{s}$
<b><math>V_{CCA}</math> and <math>V_{CCB}</math> UVLO THRESHOLD (13-V UVLO VERSION)</b>						
$V_{CCAUV+}$ $V_{CCBUV+}$	$V_{CCA}$ and $V_{CCB}$ Supply Under-Voltage Positive-Going Threshold		12	13	14	$\text{V}$
$V_{CCAUV-}$ $V_{CCBUV-}$	$V_{CCA}$ and $V_{CCB}$ Supply Under-Voltage Negative-Going Threshold		11	12	13	$\text{V}$
$V_{CCHYS}$	Under-Voltage Lockout Hysteresis		-	1	-	$\text{V}$
$t_{UVFLT}$	Under-Voltage Debounce Time (Note 18)		-	-	10	$\mu\text{s}$
<b><math>V_{CCA}</math> and <math>V_{CCB}</math> UVLO THRESHOLD (17-V UVLO VERSION)</b>						
$V_{CCAUV+}$ $V_{CCBUV+}$	$V_{CCA}$ and $V_{CCB}$ Supply Under-Voltage Positive-Going Threshold		16	17	18	$\text{V}$
$V_{CCAUV-}$ $V_{CCBUV-}$	$V_{CCA}$ and $V_{CCB}$ Supply Under-Voltage Negative-Going Threshold		15	16	17	$\text{V}$
$V_{CCHYS}$	Under-Voltage Lockout Hysteresis		-	1	-	$\text{V}$
$t_{UVFLT}$	Under-Voltage Debounce Time (Note 18)		-	-	10	$\mu\text{s}$
<b>LOGIC INPUT SECTION (INA, AND INB)</b>						
$V_{INH}$	High Level Input Voltage		1.4	1.6	1.8	$\text{V}$
$V_{INL}$	Low Level Input Voltage		0.9	1.1	1.3	$\text{V}$

# NCP51560

**ELECTRICAL CHARACTERISTICS** ( $V_{DD} = 5\text{ V}$ ,  $V_{CCA} = V_{CCB} = 12\text{ V}$ , or  $20\text{ V}$  (Note 17) and  $V_{SSA} = V_{SSB}$ , for typical values  $T_J = T_A = 25^\circ\text{C}$ , for min/max values  $T_J = -40^\circ\text{C}$  to  $+125^\circ\text{C}$ , unless otherwise specified. (Note 16) (continued)

Symbol	Parameter	Condition	Min	Typ	Max	Unit
--------	-----------	-----------	-----	-----	-----	------

### LOGIC INPUT SECTION (INA, AND INB)

$V_{INHYS}$	Input Logic Hysteresis		–	0.5	–	V
$I_{IN+}$	High Level Logic Input Bias Current	$V_{IN} = 5\text{ V}$	20	25	33	$\mu\text{A}$
$I_{IN-}$	Low Level Logic Input Bias Current	$V_{IN} = 0\text{ V}$	–	–	1.0	$\mu\text{A}$
$R_{IN}$	Logic Input Pull-Down Resistance		150	200	250	$\text{k}\Omega$

### LOGIC INPUT SECTION (for ENABLE Version only)

$V_{ENAH}$	Enable High Voltage		1.4	1.6	1.8	V
$V_{ENAL}$	Enable Low Voltage		0.9	1.1	1.3	V
$V_{ENAHYS}$	Enable Logic Hysteresis		–	0.5	–	V

### LOGIC INPUT SECTION (for DISABLE Version only)

$V_{DISH}$	Disable High Voltage		1.4	1.6	1.8	V
$V_{DISL}$	Disable Low Voltage		0.9	1.1	1.3	V
$V_{DISHYS}$	Disable Logic Hysteresis		–	0.5	–	V

### DEAD-TIME AND OVERLAP SECTION

$t_{DT,MIN}$	Minimum Dead-Time	DT pin is left open	0	10	29	ns
$t_{DT}$	Dead-Time	$R_{DT} = 20\text{ k}\Omega$	145	200	255	ns
		$R_{DT} = 100\text{ k}\Omega$	800	1000	1200	ns
$\Delta t_{DT}$	Dead-Time Mismatch between OUTB → OUTA and OUTA → OUTB	$R_{DT} = 20\text{ k}\Omega$	–30	–	30	ns
		$R_{DT} = 100\text{ k}\Omega$	–150	–	150	ns
$V_{DT,SHORT}$	DT Threshold Voltage for OUTA & OUTB Overlap		$0.85 \times V_{DD}$	$0.9 \times V_{DD}$	$0.95 \times V_{DD}$	V

### GATE DRIVE SECTION

$I_{OUTA+}, I_{OUTB+}$	OUTA and OUTB Source Peak Current (Note 18)	$V_{INA} = V_{INB} = 5\text{ V}$ , $PW \leq 5\text{ }\mu\text{s}$	2.6	4.5	–	A
$I_{OUTA-}, I_{OUTB-}$	OUTA and OUTB Sink Peak Current (Note 18)	$V_{INA} = V_{INB} = 0\text{ V}$ , $PW \leq 5\text{ }\mu\text{s}$	7.0	9.0	–	A
$R_{OH}$	Output Resistance at High State	$I_{OUTH} = 100\text{ mA}$	–	1.4	2.7	$\Omega$
$R_{OL}$	Output Resistance at Low State	$I_{OUTL} = 100\text{ mA}$	–	0.5	1.0	$\Omega$
$V_{OHA}, V_{OHB}$	High Level Output Voltage ( $V_{CCX} - V_{OUTX}$ )	$I_{OUT} = 100\text{ mA}$	–	–	270	mV
$V_{OLA}, V_{OLB}$	Low Level Output Voltage ( $V_{OUTX} - V_{SSX}$ )	$I_{OUT} = 100\text{ mA}$	–	–	100	mV

### DYNAMIC ELECTRICAL CHARACTERISTICS

$t_{PDON}$	Turn-On Propagation Delay from INx to OUTx	$V_{CCA} = V_{CCB} = 12\text{ V}$ , $C_{LOAD} = 0\text{ nF}$	24	38	57	ns
		$V_{CCA} = V_{CCB} = 20\text{ V}$ , $C_{LOAD} = 0\text{ nF}$	27	41	60	ns
$t_{PDOFF}$	Turn-Off Propagation Delay from INx to OUTx	$V_{CCA} = V_{CCB} = 12\text{ V}$ , $C_{LOAD} = 0\text{ nF}$	24	38	57	ns
		$V_{CCA} = V_{CCB} = 20\text{ V}$ , $C_{LOAD} = 0\text{ nF}$	27	41	60	ns
$t_{PWD}$	Pulse Width Distortion ( $t_{PDON} - t_{PDOFF}$ )		–5	–	5	ns
$t_{DM}$	Propagation Delay Mismatching between Channels	INA and INB shorted, $f_{IN} = 100\text{ kHz}$	–5	–	5	ns
$t_{VPOR\text{ to OUT}}$	Power-up Delay from the $V_{POR}$ to Output (Note 18)	See the Figure 52	–	18	–	$\mu\text{s}$
$t_R$	Turn-On Rise Time	$V_{CCA} = V_{CCB} = 12\text{ V}$ , $C_{LOAD} = 1.8\text{ nF}$	–	9	16	ns
		$V_{CCA} = V_{CCB} = 20\text{ V}$ , $C_{LOAD} = 1.8\text{ nF}$	–	11	19	ns
$t_F$	Turn-Off Fall Time	$V_{CCA} = V_{CCB} = 12\text{ V}$ , $C_{LOAD} = 1.8\text{ nF}$	–	8	16	ns
		$V_{CCA} = V_{CCB} = 20\text{ V}$ , $C_{LOAD} = 1.8\text{ nF}$	–	10	19	ns

# NCP51560

**ELECTRICAL CHARACTERISTICS** ( $V_{DD} = 5\text{ V}$ ,  $V_{CCA} = V_{CCB} = 12\text{ V}$ , or  $20\text{ V}$  (Note 17) and  $V_{SSA} = V_{SSB}$ , for typical values  $T_J = T_A = 25^\circ\text{C}$ , for min/max values  $T_J = -40^\circ\text{C}$  to  $+125^\circ\text{C}$ , unless otherwise specified. (Note 16) (continued)

Symbol	Parameter	Condition	Min	Typ	Max	Unit
<b>DYNAMIC ELECTRICAL CHARACTERISTICS</b>						
$T_{ENABLE,OUT}$ , $T_{DISABLE,OUT}$	ENABLE or DISABLE to OUTx Turn-On/Off Propagation Delay	$V_{CCA} = V_{CCB} = 12\text{ V}$	24	38	57	ns
		$V_{CCA} = V_{CCB} = 20\text{ V}$	27	41	60	ns
$t_{PW}$	Minimum Input Pulse Width that Change Output State	$C_{LOAD} = 0\text{ nF}$	–	15	30	ns
CMTI	Common Mode Transient Immunity (Note 18)	Slew rate of GND versus VSSA and VSSB. INA and INB both are tied to $V_{DD}$ or GND. $V_{CM} = 1500\text{ V}$	200	–	–	V/ns

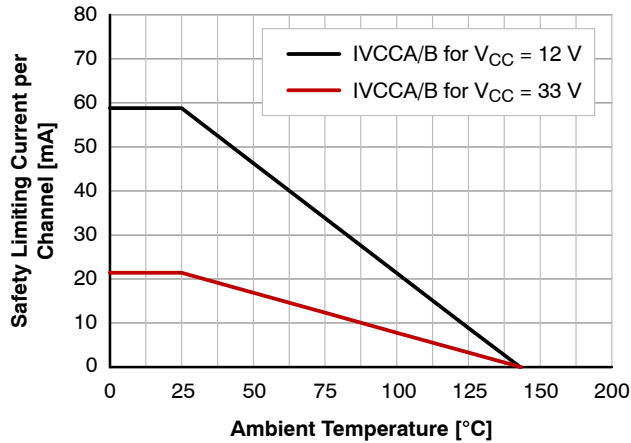
Product parametric performance is indicated in the Electrical Characteristics for the listed test conditions, unless otherwise noted. Product performance may not be indicated by the Electrical Characteristics if operated under different conditions.

16. Performance guaranteed over the indicated operating temperature range by design and/or characterization tested at  $T_J = T_A = 25^\circ\text{C}$ .

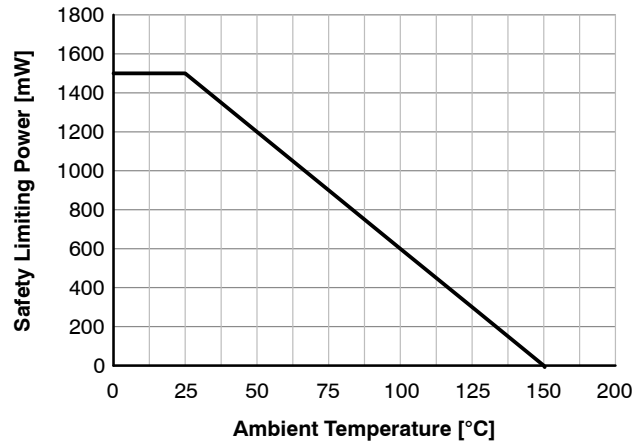
17.  $V_{CCA} = V_{CCB} = 12\text{ V}$  is used for the test condition of 8-V UVLO,  $V_{CCA} = V_{CCB} = 20\text{ V}$  is used for 17-V UVLO.

18. These parameters are verified by bench test only and not tested in production.

## INSULATION CHARACTERISTICS CURVES



**Figure 4. Thermal Derating Curve for Safety-related Limiting Current (Current in Each Channel with Both Channels Running Simultaneously)**



**Figure 5. Thermal Derating Curve for Safety-related Limiting Power**

TYPICAL CHARACTERISTIC

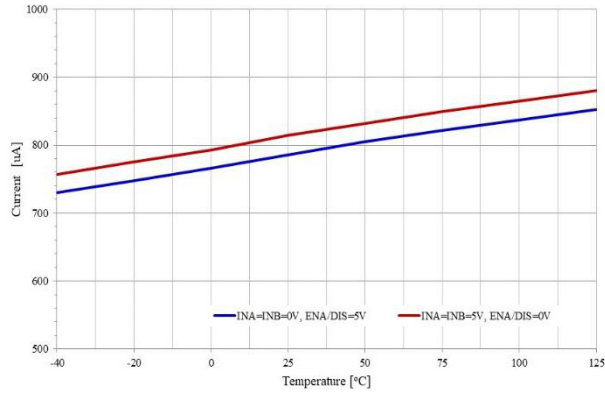


Figure 6. Quiescent  $V_{DD}$  Supply Current vs. Temperature ( $V_{DD} = 5\text{ V}$ ,  $INA = INB = 0\text{ V}$ ,  $ENA/DIS = 5\text{ V}$  or,  $INA = INB = 5\text{ V}$ ,  $ENA/DIS = 0\text{ V}$  and No Load)

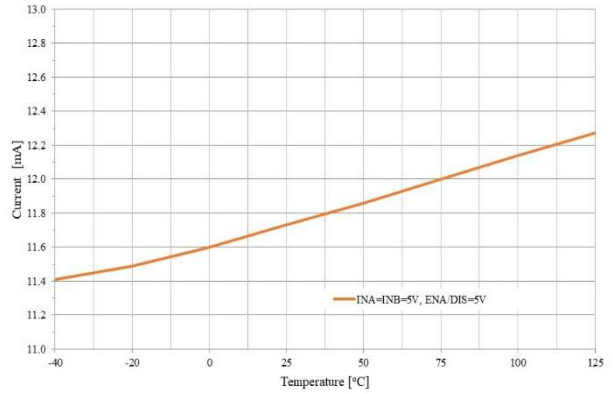


Figure 7. Quiescent  $V_{DD}$  Supply Current vs. Temperature ( $V_{DD} = 5\text{ V}$ ,  $INA = INB = ENA/DIS = 5\text{ V}$  and No Load)

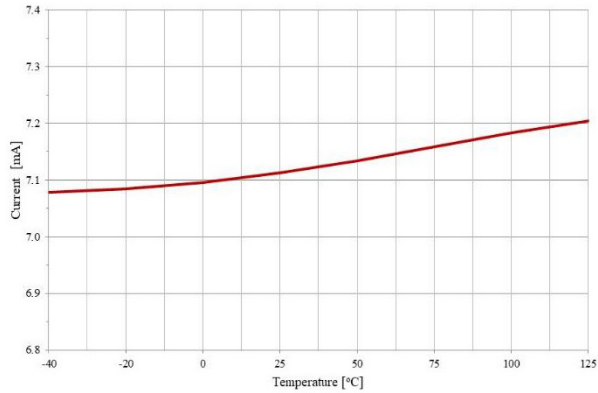


Figure 8.  $V_{DD}$  Operating Current vs. Temperature ( $V_{DD} = 5\text{ V}$ , No Load, and Switching Frequency = 500 kHz)

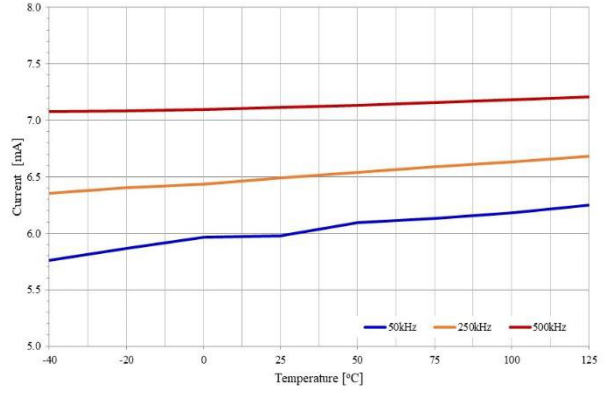


Figure 9.  $V_{DD}$  Operating Current vs. Temperature ( $V_{DD} = 5\text{ V}$ , No Load, and Different Switching Frequency)

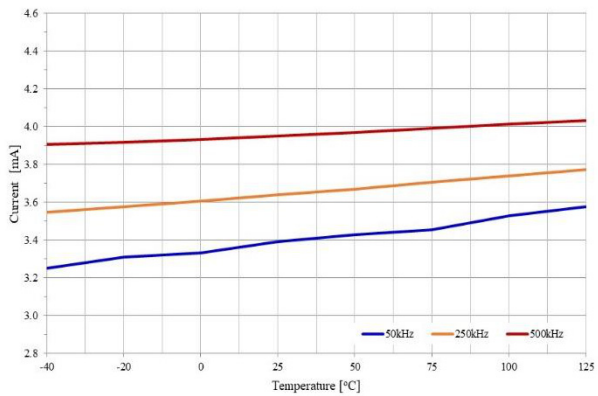


Figure 10. Per Channel  $V_{DD}$  Operating Current vs. Temperature ( $V_{DD} = 5\text{ V}$ , No Load, and Different Switching Frequency)

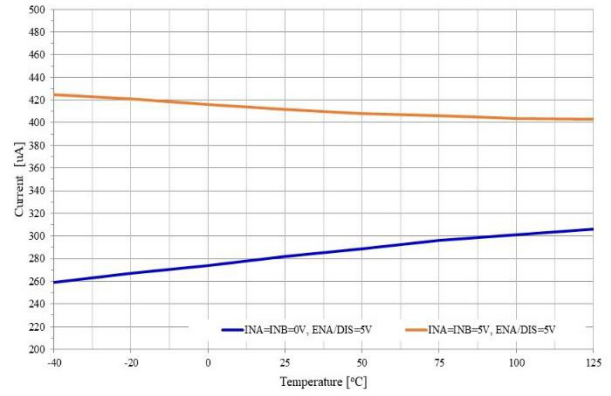


Figure 11. Per Channel Quiescent  $V_{CC}$  Supply Current vs. Temperature ( $INA = INB = 0\text{ V}$  or  $5\text{ V}$ ,  $ENA/DIS = 5\text{ V}$  and No Load)

TYPICAL CHARACTERISTIC (CONTINUED)

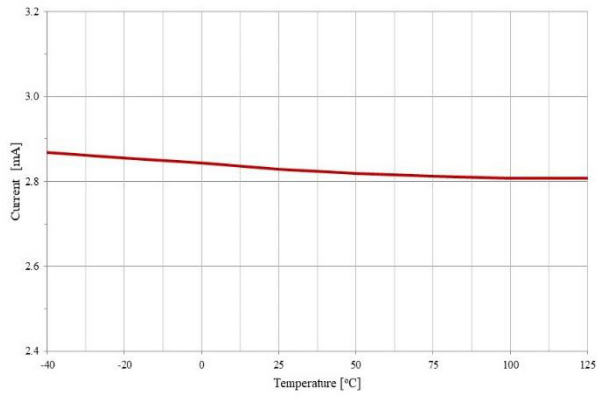


Figure 12. Per Channel  $V_{CC}$  Operating Current vs. Temperature (No Load and Switching Frequency = 500 kHz)

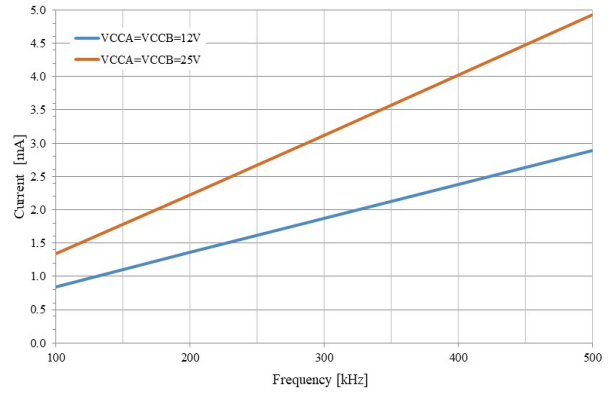


Figure 13. Per Channel Operating Current vs. Frequency (No Load,  $V_{CCA} = V_{CCB} = 12$  V, or 25 V)

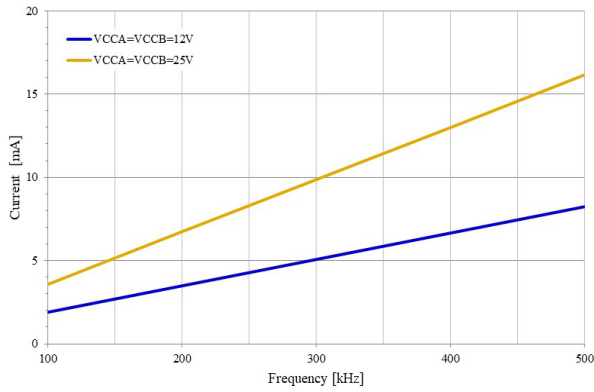


Figure 14. Per Channel Operating Current vs. Frequency ( $C_{LOAD} = 1$  nF,  $V_{CCA} = V_{CCB} = 12$  V, or 25 V)

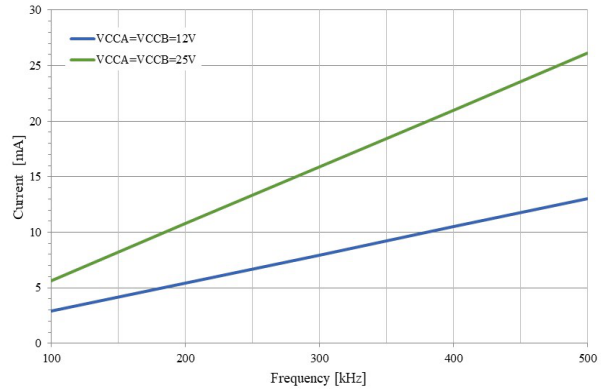


Figure 15. Per Channel Operating Current vs. Frequency ( $C_{LOAD} = 1.8$  nF,  $V_{CCA} = V_{CCB} = 12$  V, or 25 V)

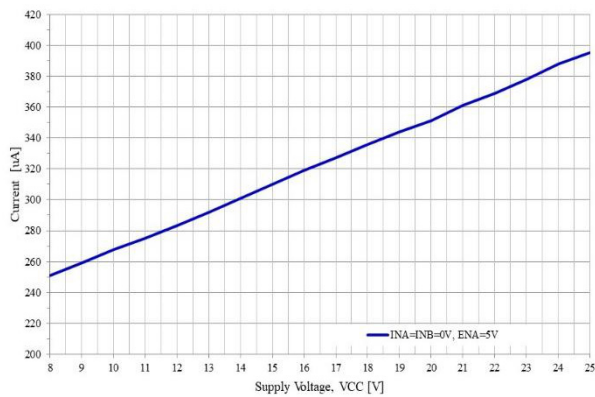


Figure 16. Per Channel  $V_{CC}$  Quiescent Current vs.  $V_{CC}$  Supply Voltage ( $I_{NA} = I_{NB} = 0$  V,  $EN_A = 5$  V)

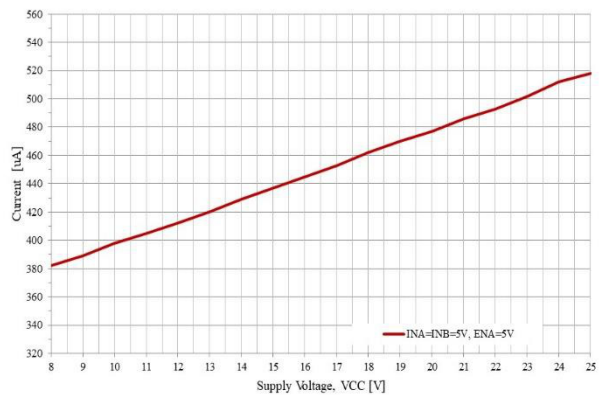


Figure 17. Per Channel  $V_{CC}$  Quiescent Current vs.  $V_{CC}$  Supply Voltage ( $I_{NA} = I_{NB} = 5$  V,  $EN_A = 5$  V)

TYPICAL CHARACTERISTIC (CONTINUED)

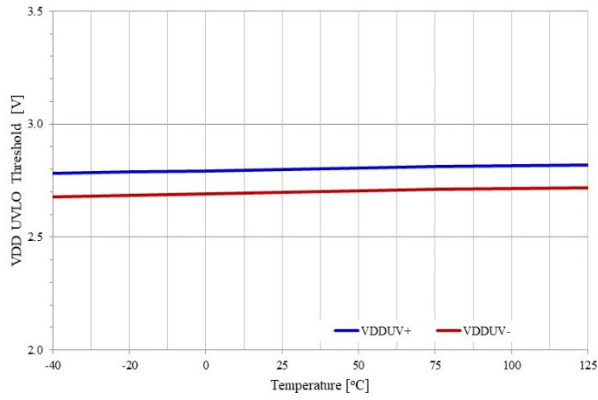


Figure 18. V<sub>DD</sub> UVLO Threshold vs. Temperature

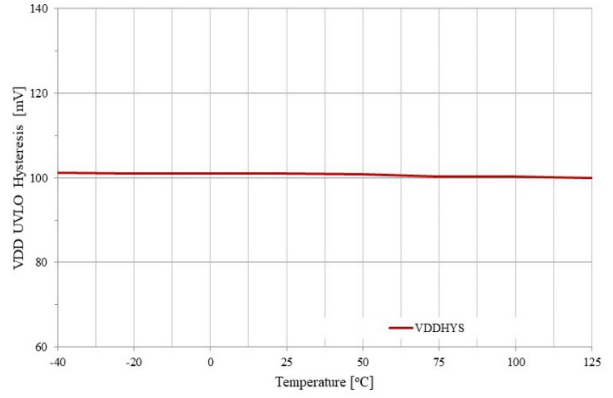


Figure 19. V<sub>DD</sub> UVLO Hysteresis vs. Temperature

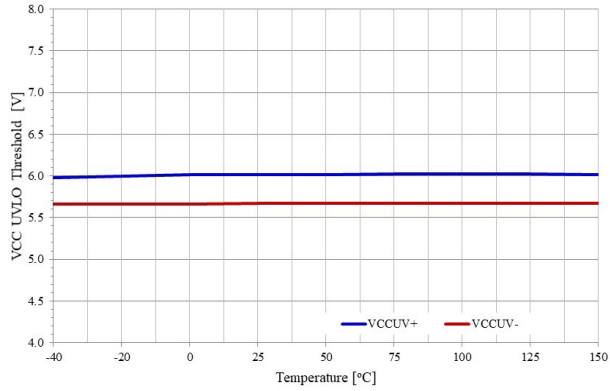


Figure 20. V<sub>CC</sub> 5-V UVLO Threshold vs. Temperature

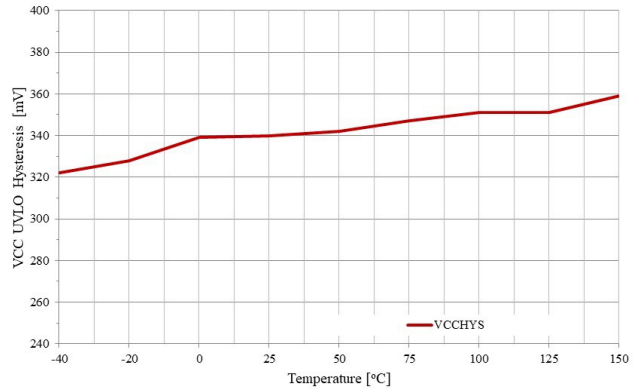


Figure 21. V<sub>CC</sub> 5-V UVLO Hysteresis vs. Temperature

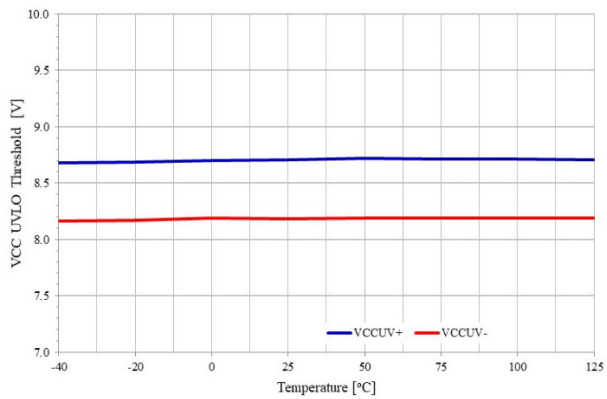


Figure 22. V<sub>CC</sub> 8-V UVLO Threshold vs. Temperature

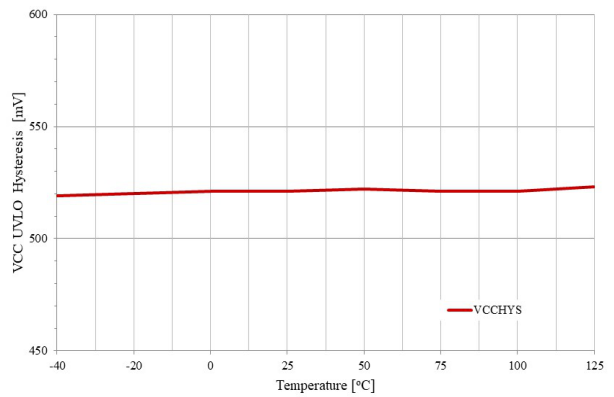


Figure 23. V<sub>CC</sub> 8-V UVLO Hysteresis vs. Temperature

# NCP51560

## TYPICAL CHARACTERISTIC (CONTINUED)

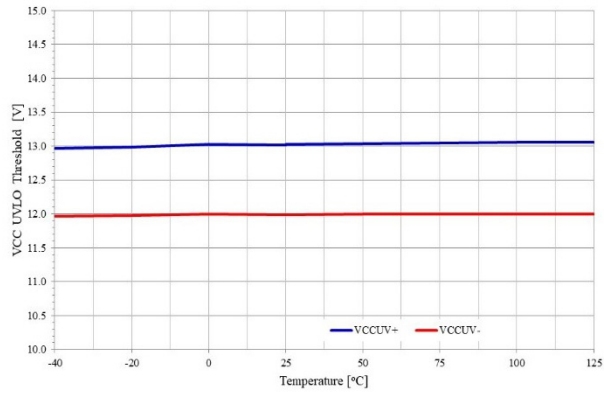


Figure 24. V<sub>CC</sub> 13-V UVLO Threshold vs. Temperature

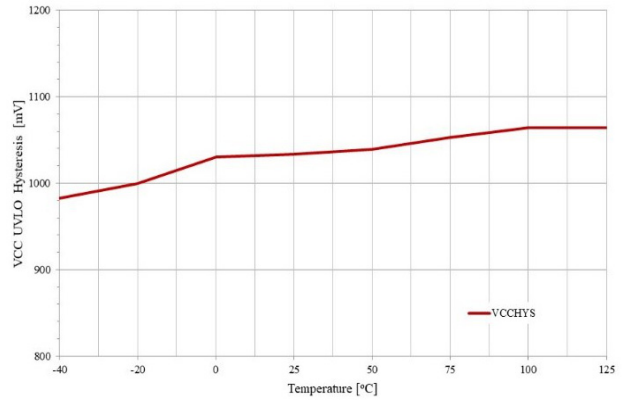


Figure 25. V<sub>CC</sub> 13-V UVLO Hysteresis vs. Temperature

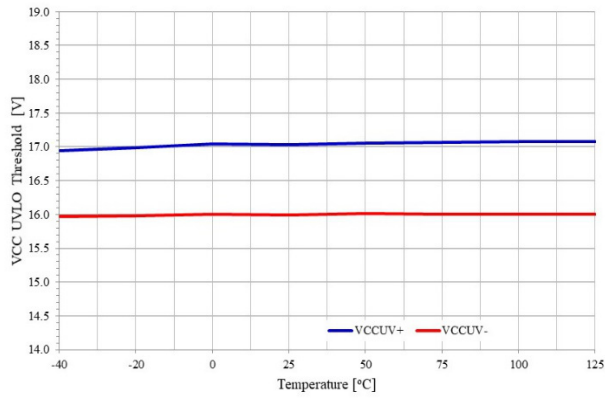


Figure 26. V<sub>CC</sub> 17-V UVLO Threshold vs. Temperature

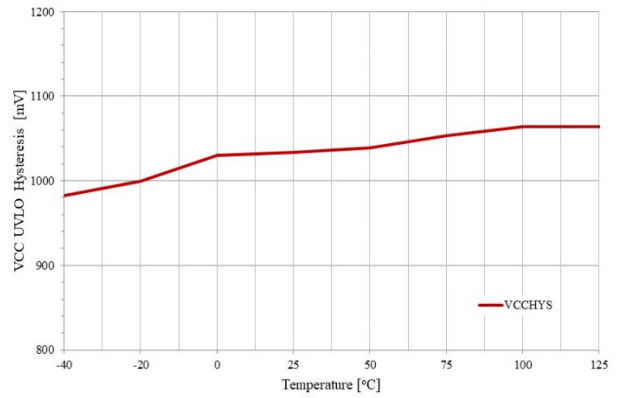


Figure 27. V<sub>CC</sub> 17-V UVLO Hysteresis vs. Temperature

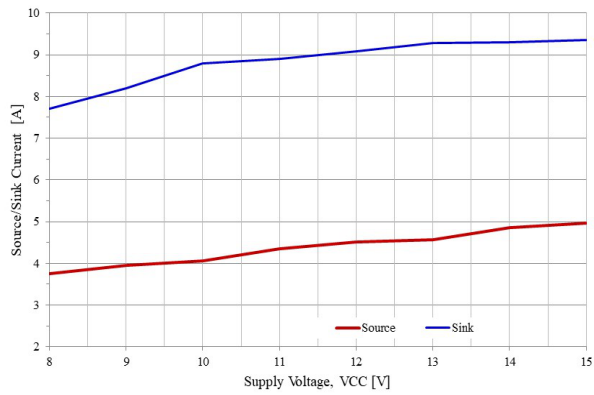


Figure 28. Output Current vs. V<sub>CC</sub> Supply Voltage

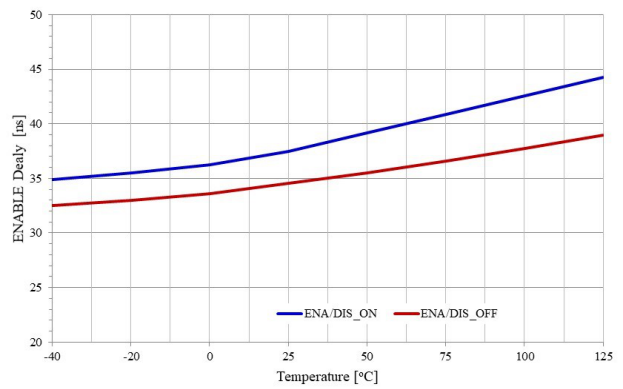
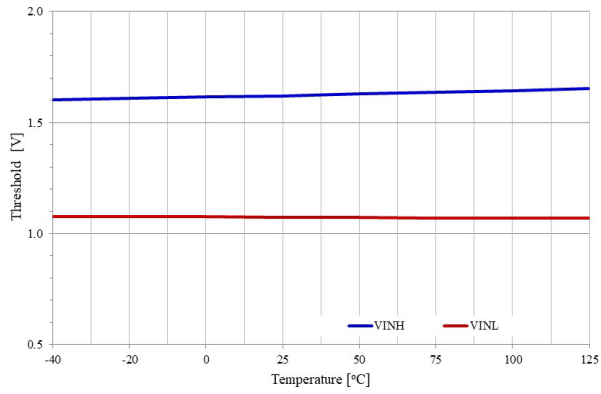
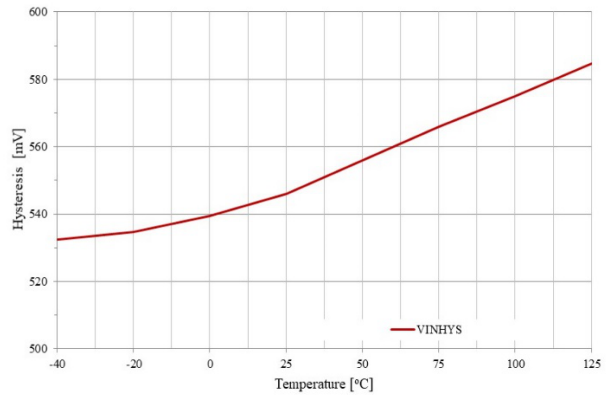


Figure 29. ENA/DIS Delay Time vs. Temperature

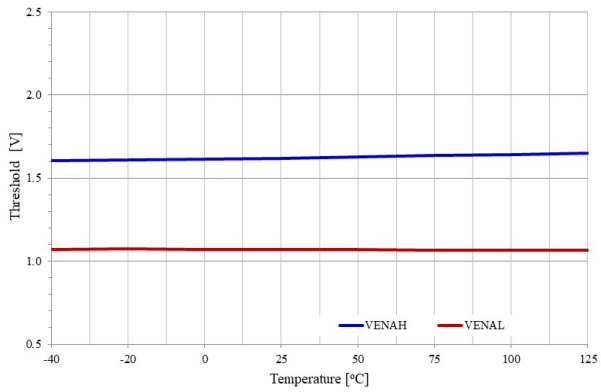
# NCP51560



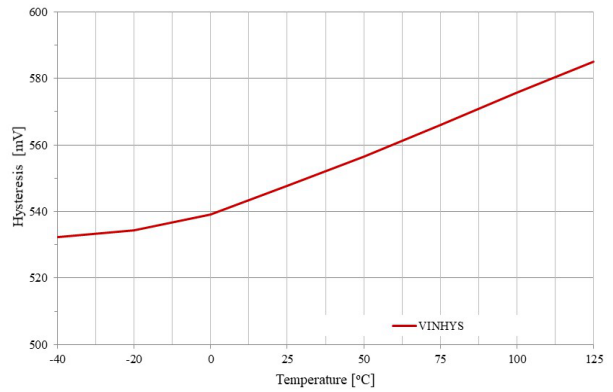
**Figure 30. Input Logic Threshold vs. Temperature (INA, and INB)**



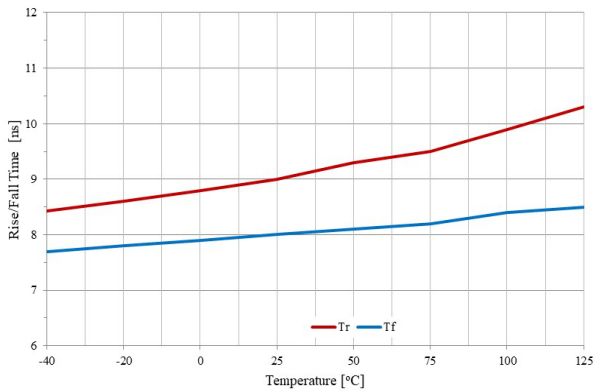
**Figure 31. Input Logic Hysteresis vs. Temperature (INA, and INB)**



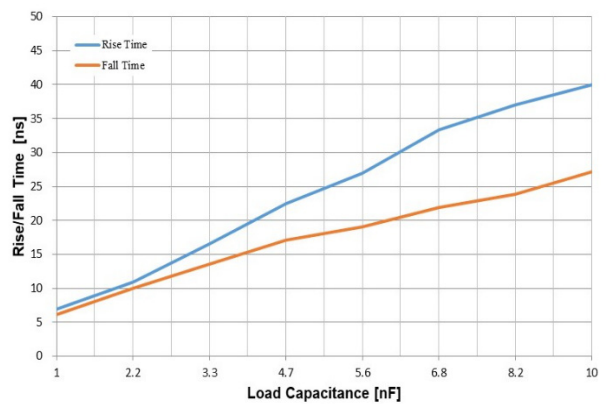
**Figure 32. ENA/DIS Threshold vs. Temperature (ENABLE, and DISABLE)**



**Figure 33. ENA/DIS Hysteresis vs. Temperature (ENABLE, and DISABLE)**



**Figure 34. Rise/Fall Time vs. Temperature (C<sub>LOAD</sub> = 1.8 nF)**



**Figure 35. Rise/Fall Time vs. Temperature (V<sub>CC</sub> = V<sub>CCB</sub> = 12 V, and Different Load)**



TYPICAL CHARACTERISTIC (CONTINUED)

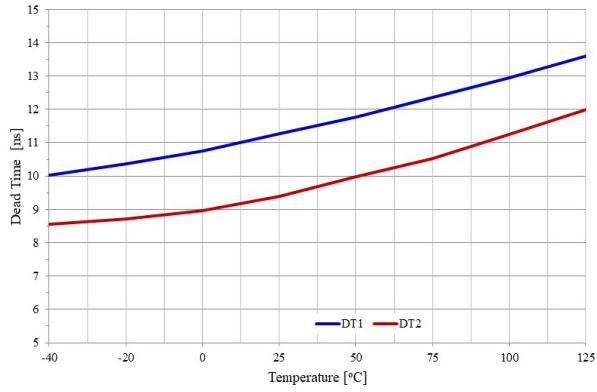


Figure 36. Dead Time vs. Temperature ( $R_{DT} = \text{Open}$ )

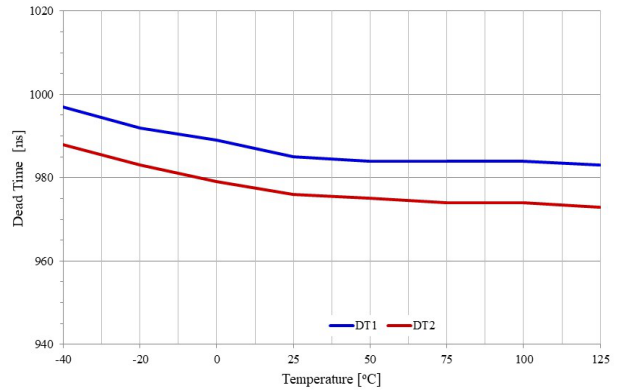


Figure 37. Dead Time vs. Temperature ( $R_{DT} = 100k\Omega$ )

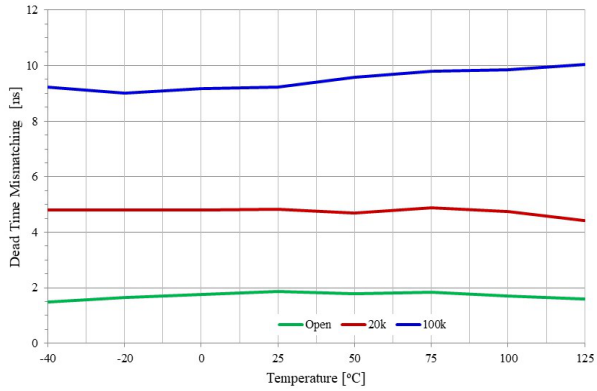


Figure 38. Dead Time Mismatching vs. Temperature

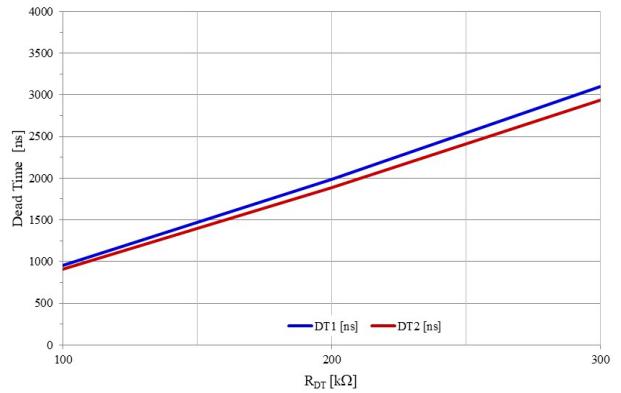


Figure 39. Dead Time vs.  $R_{DT}$

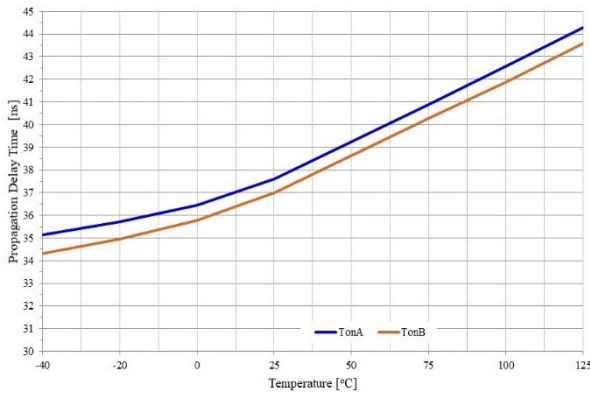


Figure 40. Turn-on Propagation Delay vs. Temperature

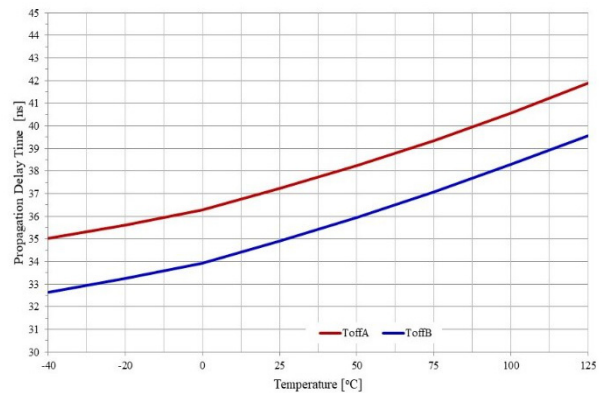


Figure 41. Turn-off Propagation Delay vs. Temperature

TYPICAL CHARACTERISTIC (CONTINUED)

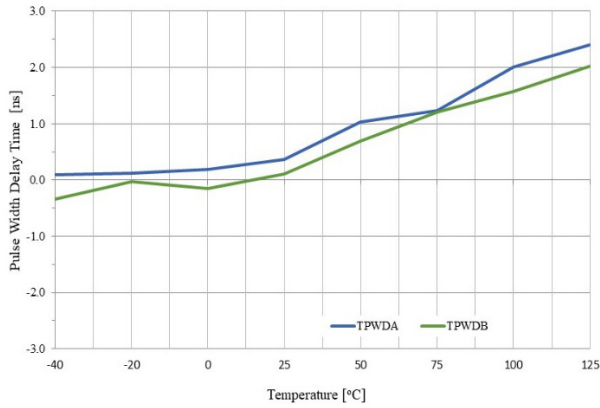


Figure 42. Pulse Width Distortion vs. Temperature

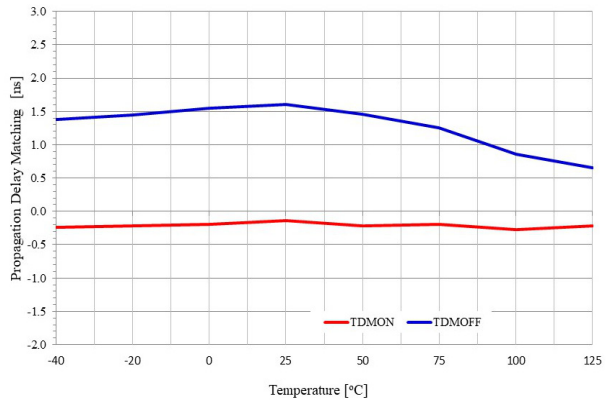


Figure 43. Propagation Delay Matching vs. Temperature

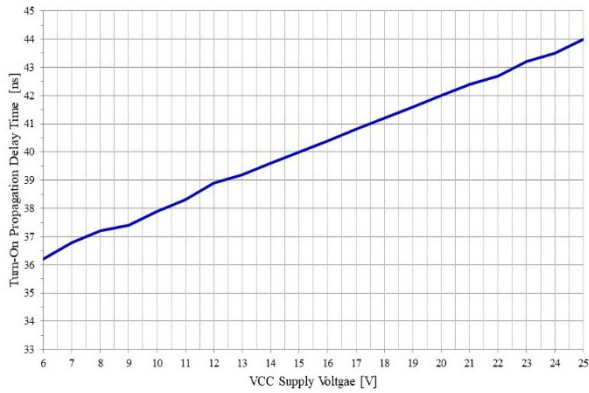


Figure 44. Turn-on Propagation Delay vs. V<sub>CC</sub> Supply Voltage

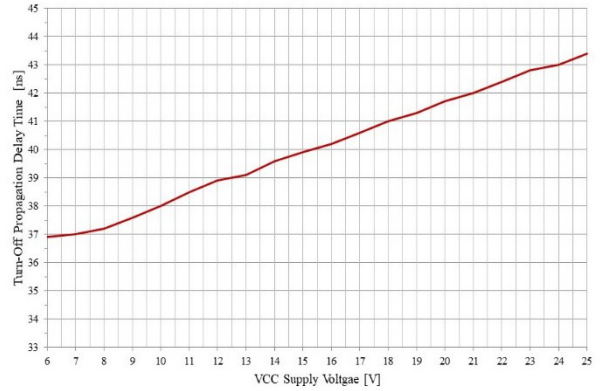


Figure 45. Turn-off Propagation Delay vs. V<sub>CC</sub> Supply Voltage

PARAMETER MEASUREMENT DEFINITION

Switching Time Definitions

Figure 46 shows the switching time definitions of the turn-on ( $t_{PDON}$ ) and turn-off ( $t_{PDOFF}$ ) propagation delay time among the driver's two input signals INA, INB and two

output signals OUTA, OUTB. The typical values of the propagation delay ( $t_{PDON}$ ,  $t_{PDOFF}$ ), pulse width distortion ( $t_{PWD}$ ) and delay matching between channels times are specified in the electrical characteristics table.

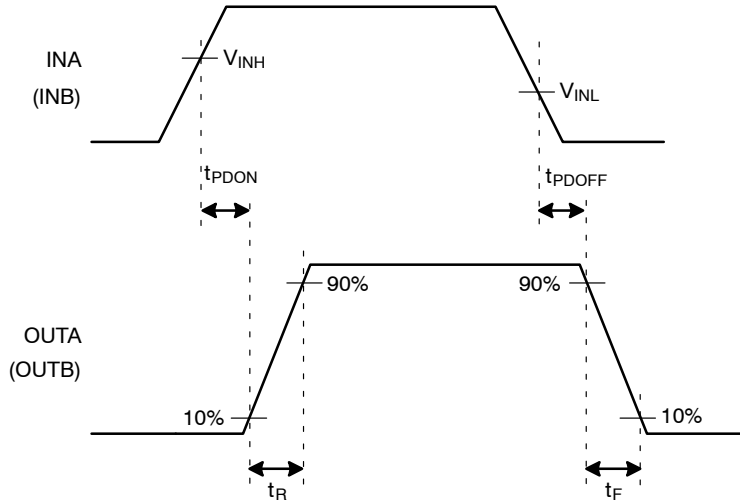


Figure 46. Switching Time Definitions

Enable and Disable Function

Figure 47 shows the response time according to an ENABLE or the DISABLE operating modes. If the ENA/DIS pin voltage goes to LOW state, i.e.  $V_{ENA} \leq 1.1$  V shuts down both outputs simultaneously and Pull the ENA/DIS pin LOW (or left open), i.e.  $V_{ENA} \geq 1.6$  V to

operate normally in an ENABLE mode as shown in Figure 47 (a). Conversely, if the ENA/DIS pin voltage goes to HIGH state, i.e.  $V_{DIS} \geq 1.6$  V shuts down both outputs simultaneously and Pull the ENA/DIS pin LOW (or left open), i.e.  $V_{DIS} \leq 1.1$  V operate normally in the DISABLE mode as shown in Figure 47 (b).

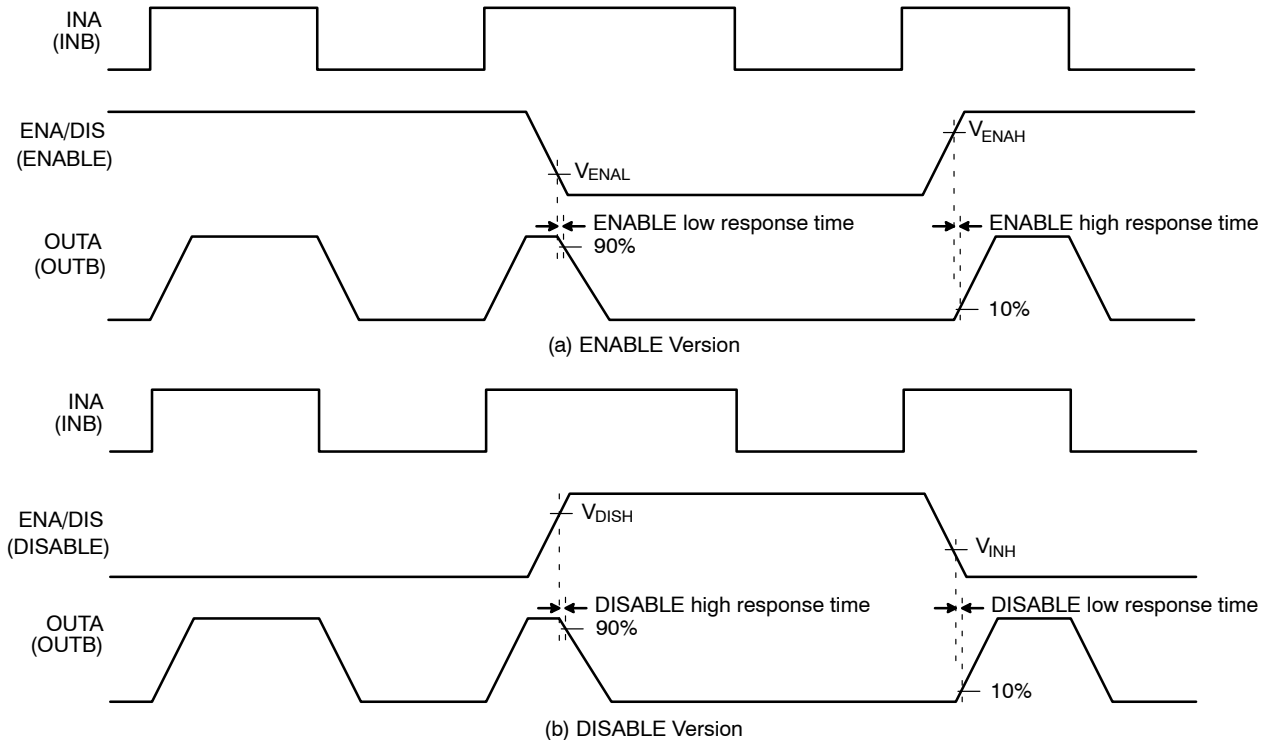


Figure 47. Timing Chart of Enable and Disable Function

## Programmable Dead-Time

Dead time is automatically inserted whenever the dead time of the external two input signals (between INA and INB signals) is shorter than internal setting dead times (DT1 and

DT2). Otherwise, if the external input signal dead times are larger than internal dead-time, the dead time is not modified by the gate driver and internal dead-time definition as shown in Figure 48.

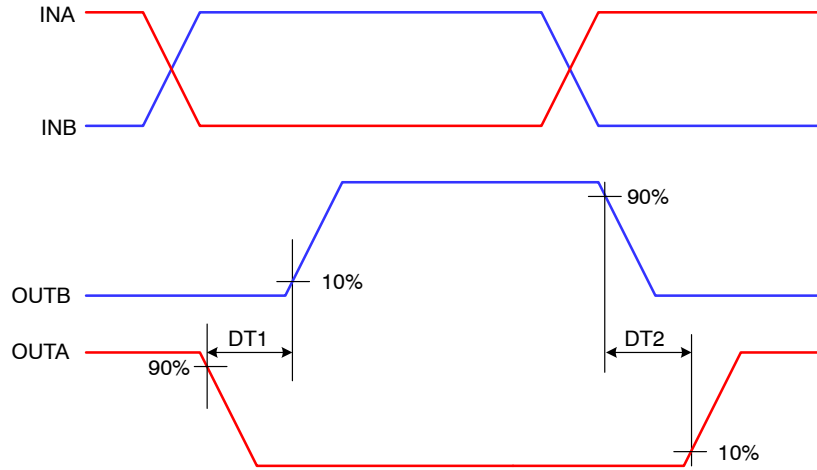


Figure 48. Internal Dead-Time Definitions

Figure 49 shows the definition of internal dead time and shoot-through prevention when input signals applied at same time.

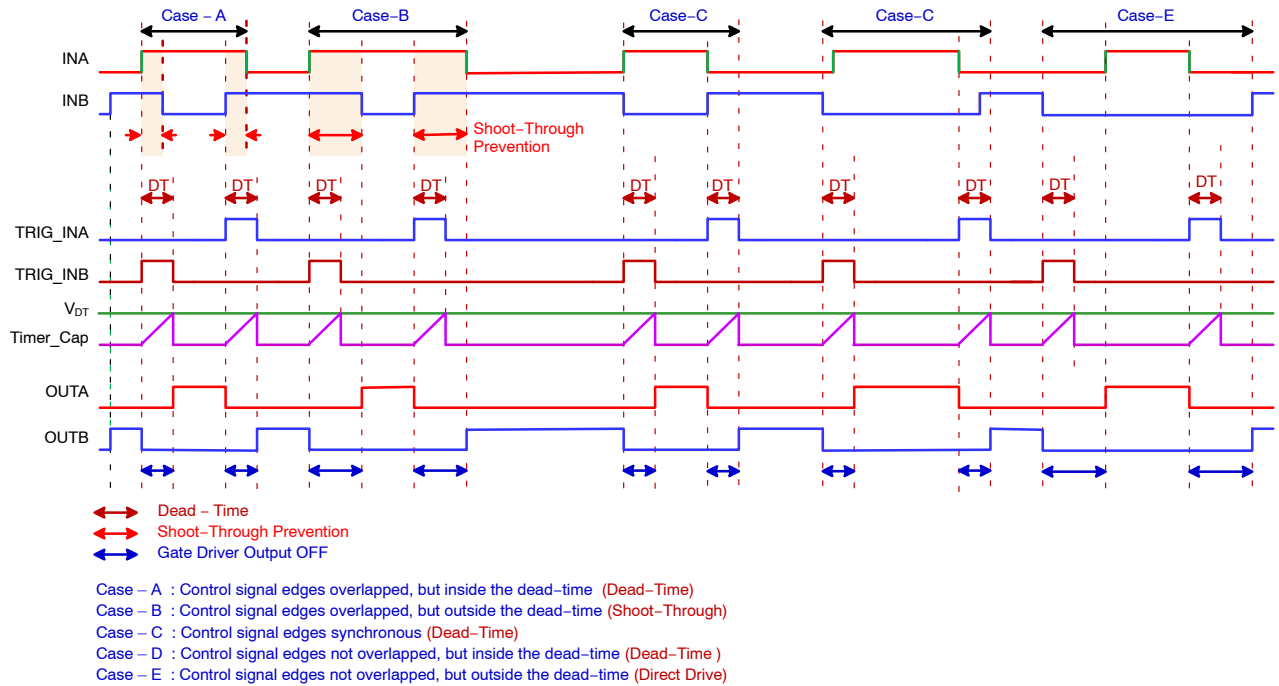


Figure 49. Internal Dead-Time Definitions

DEVICE INFORMATION

Input to Output Operation Definitions

The NCP51560 provides important protection functions such as independent under-voltage lockout for both gate driver; enable or disable function and dead-time control function. Figure 50 shows an overall input to output timing diagram when shutdown mode via ENA/DIS pin in the

CASE-A, and Under-Voltage Lockout protection on the primary- and secondary-sides power supplies events in the CASE-B. The gate driver output (OUTA and OUTB) were turn-off when cross-conduction event at the dead time control mode in the CASE-C.

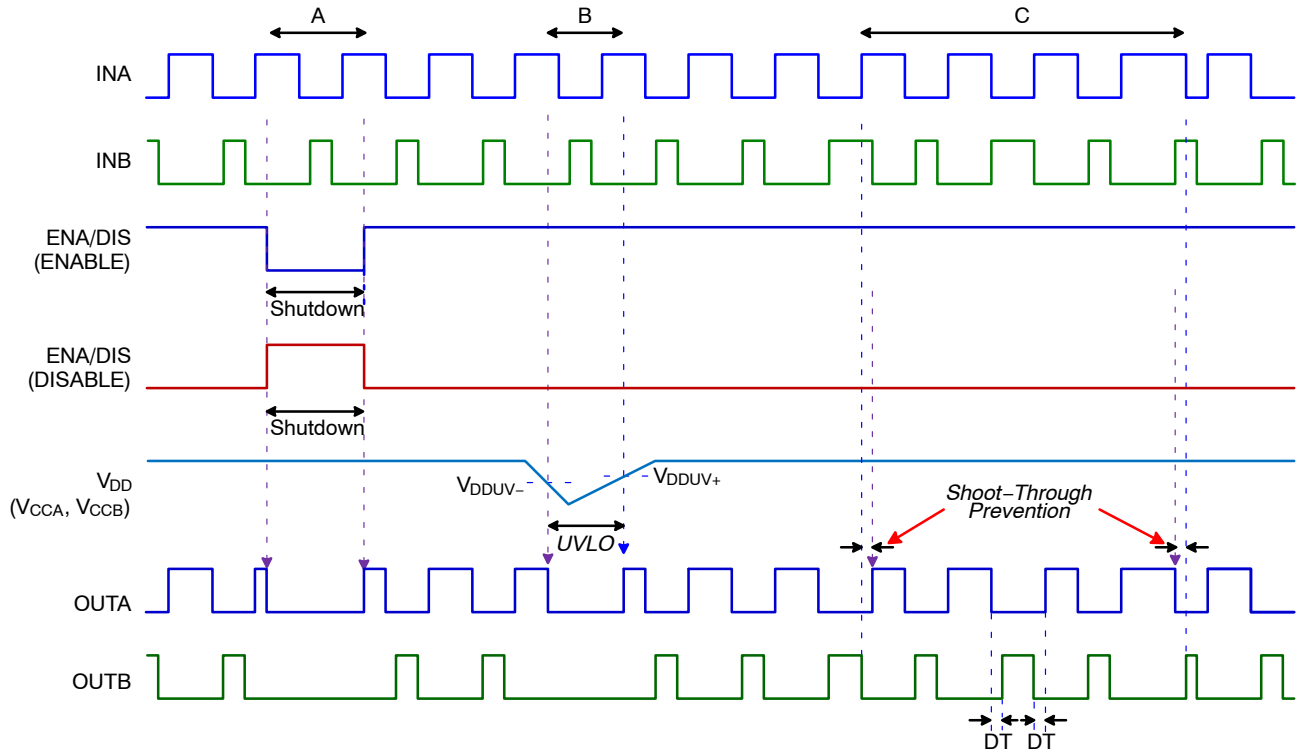


Figure 50. Overall Operating Waveforms Definitions at the Dead-Time Control Mode

Input and Output Logic Table

Table 1 shows an input to output logic table according to the dead time control modes and an enable or the disable operation mode.

Table 1. INPUT AND OUTPUT LOGIC TABLE

INPUT		ENA/DIS		OUTPUT		NOTE
INA	INB	ENABLE	DISABLE	OUTA	OUTB	
L	L	H or Left open	L or Left open	L	L	Programmable dead time control with $R_{DT}$ .
L	H	H or Left open	L or Left open	L	H	
H	L	H or Left open	L or Left open	H	L	
H	H	H or Left open	L or Left open	L	L	DT pin is left open Or programmed with $R_{DT}$ .
H	H	H or Left open	L or Left open	H	H	DT pin pulled to $V_{DD}$ .
Left open	Left open	H or Left open	L or Left open	L	L	
X	X	L	H	L	L	

19. "X" means L, H or left open.

**PROTECTION FUNCTION**

The NCP51560 provides the protection features include enable or disable function, Cross Conduction Protection, and Under-Voltage Lockout (UVLO) of power supplies on primary-side ( $V_{DD}$ ), and secondary-side both channels ( $V_{CCA}$ , and  $V_{CCB}$ ).

**Under-Voltage Lockout Protection  $V_{DD}$  and  $V_{CCx}$**

The NCP51560 provides the Under-Voltage Lockout (UVLO) protection function for  $V_{DD}$  in primary-side and both gate drive output for  $V_{CCA}$  and  $V_{CCB}$  in secondary-side as shown in Figure 51.

The gate driver is running when the  $V_{DD}$  supply voltage is greater than the specified under-voltage lockout threshold voltage (e.g. typically 2.8 V) and ENA/DIS pin is HIGH or LOW states for an ENABLE (e.g. NCP51560xA) or the DISABLE (e.g. NCP51560xB) mode respectively.

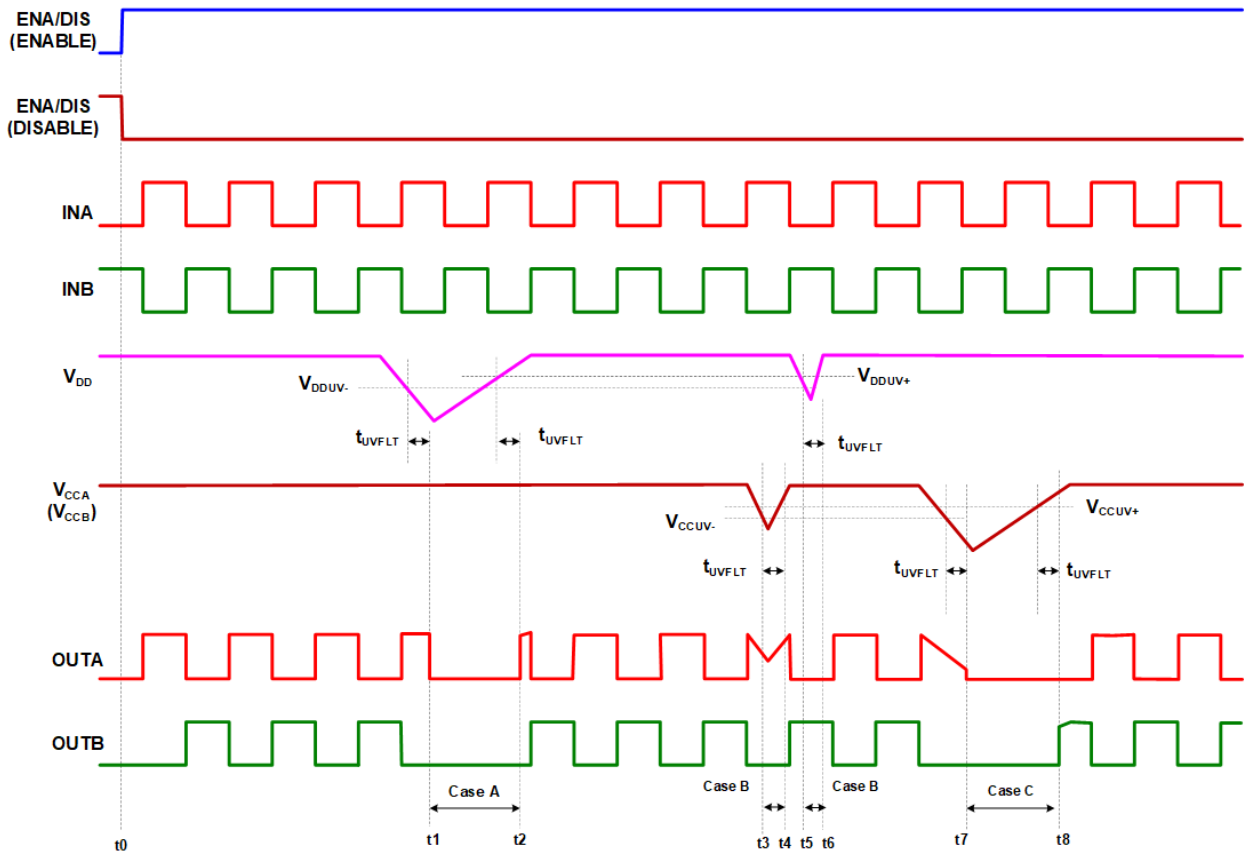
In addition, both gate output drivers have independent under voltage lockout protection (UVLO) function and each

channel supply voltages in secondary-side (e.g.  $V_{CCA}$ , and  $V_{CCB}$ ) need to be greater than specified UVLO threshold level in secondary-side to let the output operate per input signal. The typical  $V_{CCx}$  UVLO threshold voltage levels for each option are per below Table 2.

**Table 2.  $V_{CCx}$  UVLO OPTION TABLE**

Option	$V_{CC}$ UVLO Level	Unit
5-V	6.0	V
8-V	8.7	V
13-V	13	V
17-V	17	V

UVLO protection has an hysteresis to provide immunity to short  $V_{CC}$  drops that can occur.



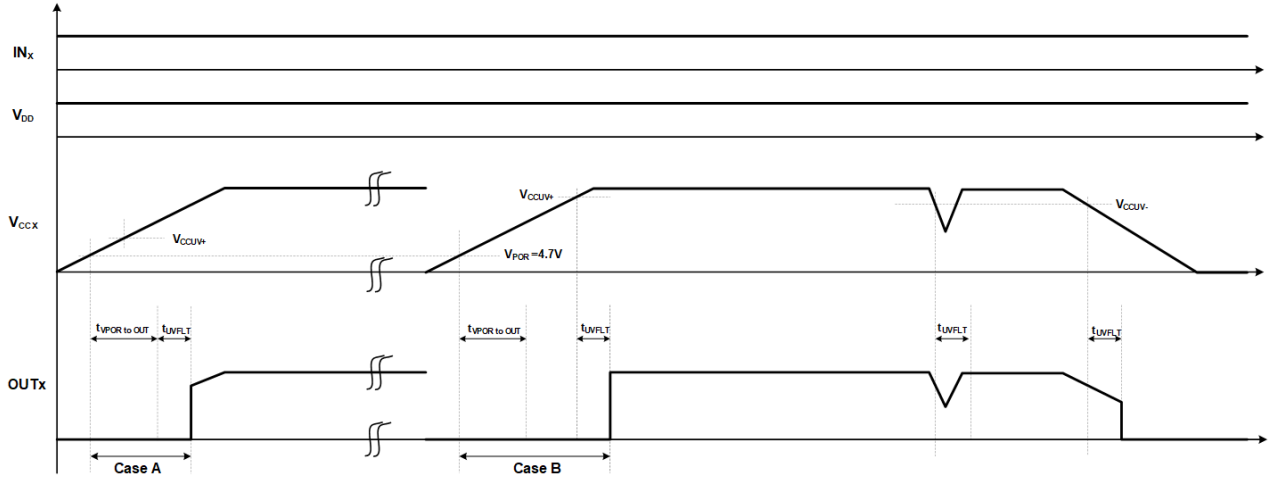
**Figure 51. Timing Chart Under-Voltage Lockout Protection**

**Power-Up VCC UVLO Delay to OUTPUT**

To provide a variety of Under-Voltage Lockout (UVLO) thresholds NCP51560 has a power-up delay time during initial  $V_{CCX}$  start-up or after POR event.

Before the gate driver is ready to deliver a proper output state, there is a power-up delay time from the  $V_{CC}$

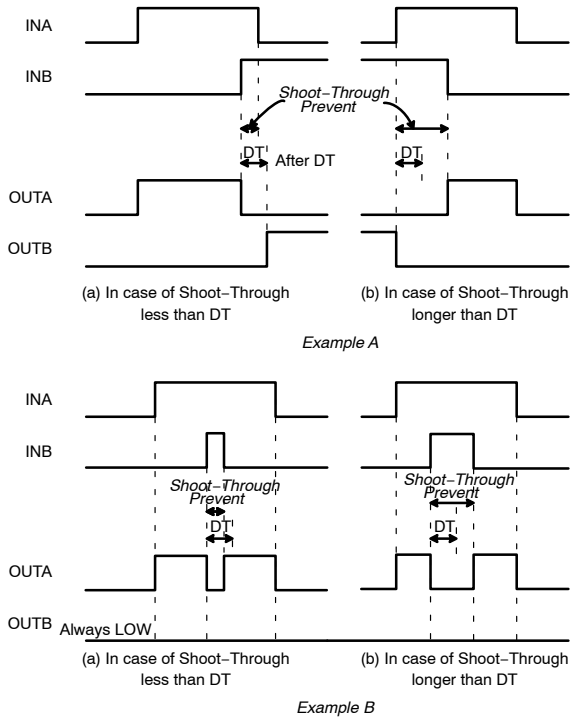
power-on reset (POR) threshold to output and it is defined as  $t_{VPOR\ to\ OUT}$ . (e.g. typically 18  $\mu s$ ). Figure 52 shows the power-up UVLO delay time diagram for  $V_{CC}$ .



**Figure 52. Timing VCC Power-Up UVLO Delay Time**

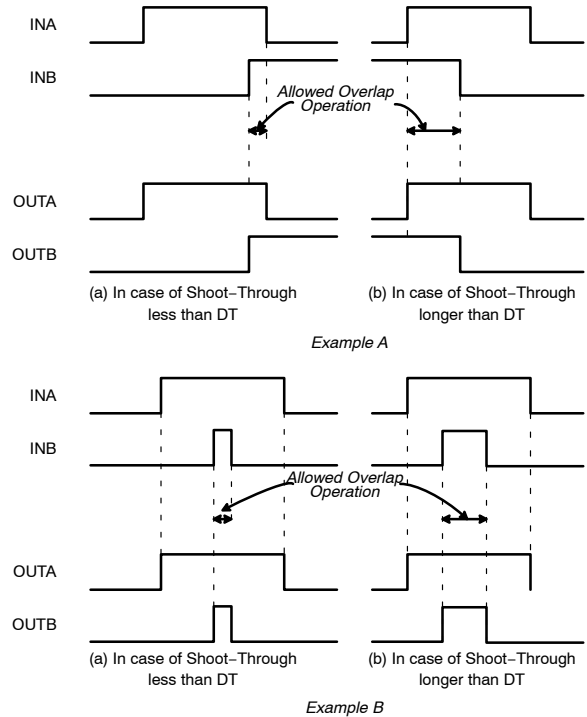
**Cross-Conduction Prevention and Allowed Overlapped Operation**

The cross conduction prevents both high- and low-side switches from conducting at the same time when the dead time (DT) control mode is in half-bridge type, as shown in Figure 53.



**Figure 53. Concept of Shoot-Through Prevention**

For full topologies flexibility, cross conduction can be allowed both high- and low-side switches conduct at the same time when the DT pin is pulled to  $V_{DD}$  for example, as shown in Figure 54.



**Figure 54. Concept of Allowed the Shoot-Through**

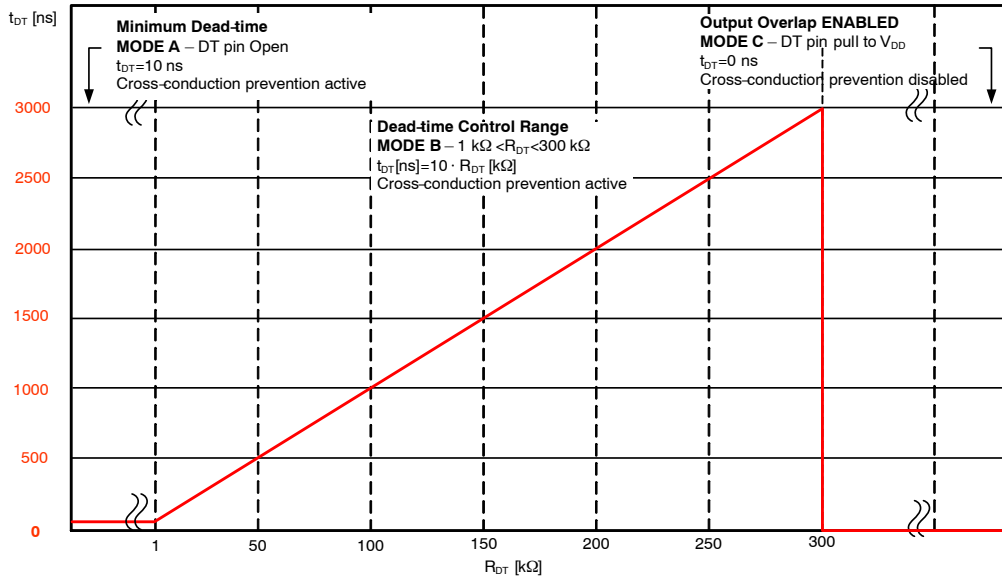
**Programmable Dead Time Control**

Cross-conduction between both driver outputs (OUTA, and OUTB) is not allowed with minimum dead time ( $t_{DTMIN}$ ) typically 10 ns when the DT pin is open in the **MODE-A**. External resistance ( $R_{DT}$ ) controls dead time when the DT pin resistor between 1 k $\Omega$  and 300 k $\Omega$  in the

**MODE-B**. Overlap is not allowed when the dead time (DT) control mode is activated.

The dead time (DT) between both outputs is set according to:  $DT \text{ (in ns)} = 10 \times R_{DT} \text{ (in k}\Omega\text{)}$ .

Overlap is allowed for both outputs when the DT pin is pulled to  $V_{DD}$  in the **MODE-C**, as shown in Figure 55.



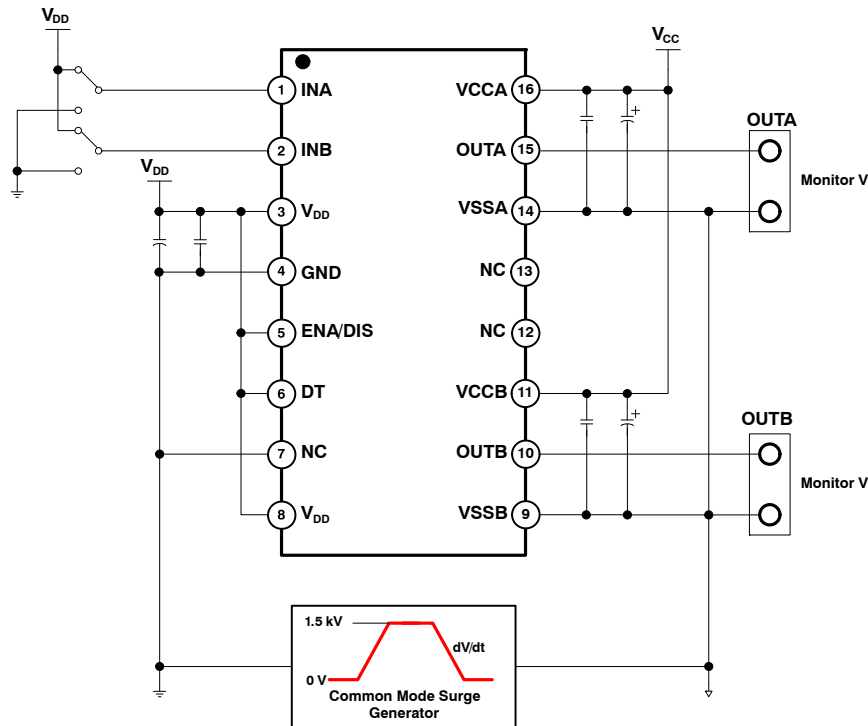
**Figure 55. Timing Chart of Dead-Time Mode Control**

**Common Mode Transient Immunity Testing**

Figure 56 is a simplified diagram of the Common Mode Transient Immunity (CMTI) testing configuration.

CMTI is the maximum sustainable common-mode voltage slew rate while maintaining the correct output.

CMTI applies to both rising and falling common-mode voltage edges. CMTI is tested with the transient generator connected between GND and  $V_{SSA}$  and  $V_{SSB}$ . ( $V_{CM} = 1500$  V)



**Figure 56. Common Mode Transient Immunity Test Circuit**



APPLICATION INFORMATION

This section provides application guidelines when using the NCP51560.

**Power Supply Recommendations**

It is important to remember that during the Turn-On of switch the output current to the gate is drawn from the  $V_{CCA}$  and  $V_{CCB}$  supply pins. The  $V_{CCA}$  and  $V_{CCB}$  pins should be bypassed with a capacitor with a value of at least ten times the gate capacitance, and no less than 100 nF and located as close to the device as possible for the purpose of decoupling. A low ESR, ceramic surface mount capacitor is necessary. We recommend using 2 capacitors; a 100 nF ceramic surface-mount capacitor which can be very close to the pins of the device, and another surface-mount capacitor of few microfarads added in parallel.

**Input Stage**

The input signal pins (INA, INB, and ENA/DIS) of the NCP51560 are based on the TTL compatible input-threshold logic that is independent of the  $V_{DD}$  supply voltage. The logic level compatible input provides a typically high and low threshold of 1.6 V and 1.1 V respectively. The input signal pin impedance of the NCP51560 is 200 k $\Omega$  typically and the INA, and INB, pins are pulled to GND pin and ENA/DIS pin is pulled to  $V_{DD}$  pin for an ENABLE version as shown in Figure 57. Conversely, ENA/DIS pin pulled to GND pin for the DISABLE version. It is recommended that ENA/DIS pin should be tie to  $V_{DD}$  or GND pins for ENABLE and DISABLE versions respectively if the ENA/DIS pin is not used to achieve better noise immunity because the ENA/DIS pin is quite responsive, as far as propagation delay and other switching parameters are concerned.

An RC filter is recommended to be added on the input signal pins to reduce the impact of system noise and ground bounce, the time constant of the RC filter. Such a filter should use an  $R_{IN}$  in the range of 0  $\Omega$  to 100  $\Omega$  and a  $C_{IN}$  between 10 pF and 100 pF. In the example, an  $R_{IN} = 51 \Omega$  and a  $C_{IN} = 33 \text{ pF}$  are selected, with a corner frequency of approximately 100 MHz. When selecting these components, it is important to pay attention to the trade-off between good noise immunity and propagation delay.

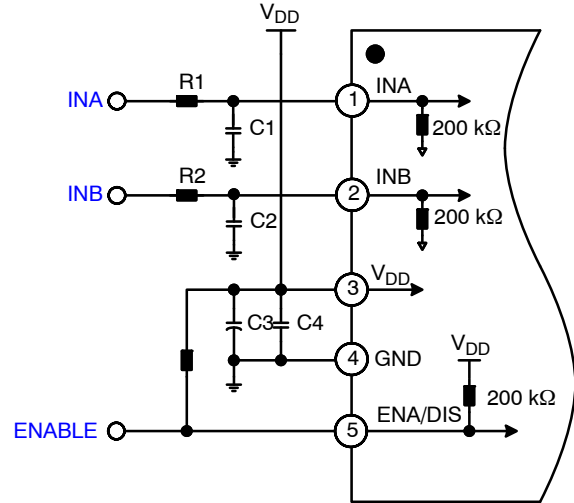


Figure 57. Schematic of Input Stage

**Output Stage**

The output driver stage of the NCP51560 features a pull up structure and a pull down structure.

The pull up structure of the NCP51560 consists of a PMOS stage ensuring to pull all the way to the  $V_{CC}$  rail. The pull down structure of the NCP51560 consists of a NMOS device as shown in Figure 58.

The output impedance of the pull up and pull down switches shall be able to provide about +4.5 A and -9 A peak currents typical at 25 $^{\circ}$ C and the minimum sink and source peak currents at 125 $^{\circ}$ C are -7 A sink and +2.6 A source.

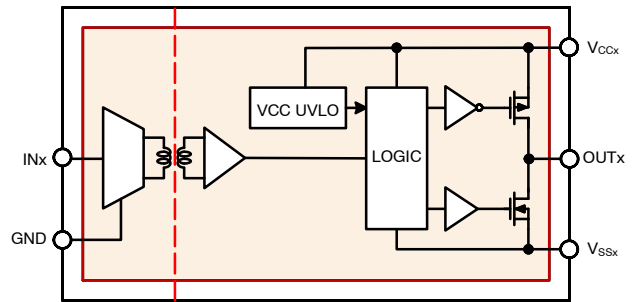
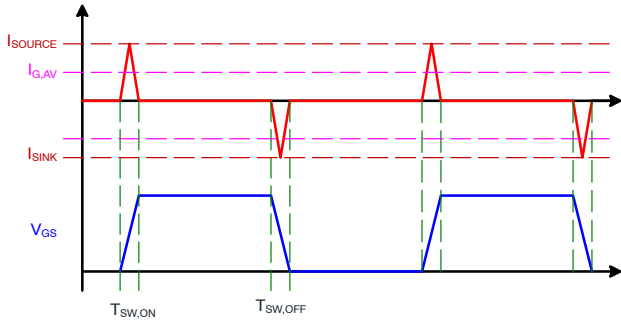


Figure 58. Schematic of Output Stage

**Consideration of Driving Current Capability**

Peak source and sink currents ( $I_{SOURCE}$ , and  $I_{SINK}$ ) capability should be larger than average current ( $I_{G,AV}$ ) as shown in Figure 59.



**Figure 59. Definition of Current Driving Capability**

The approximate maximum gate charge  $Q_G$  that can be switched in the indicated time for each driver current rating may be calculate: Needed driver current ratings depend on what gate charge  $Q_G$  must be moved in what switching time  $t_{SW-ON/OFF}$  because average gate current during switching is  $I_G$ .

$$I_{G,AV} = \frac{Q_G}{t_{SW,ON/OFF}} \quad (\text{eq. 1})$$

The approximate gate driver source and sink peak currents can be calculated as below equations

At turn-on (Sourcing current)

$$I_{SOURCE} \geq 1.5 \times \frac{Q_G}{t_{SW,ON}} \quad (\text{eq. 2})$$

At turn-off (Sinking current)

$$I_{SINK} \geq 1.5 \times \frac{Q_G}{t_{SWOFF}} \quad (\text{eq. 3})$$

where,

$Q_G =$  Gate charge at  $V_{GS} = V_{CC}$

$t_{SW,ON/OFF} =$  Switch On / Off time

1.5 = empirically determined factor

(Influenced by  $I_{G,AV}$  vs.  $I_{DRV}$ , and circuit parasitic)

**Consideration of Gate Resistor**

The gate resistor is also sized to reduce ringing voltage by parasitic inductances and capacitances. However, it limits the current capability of the gate driver output. The limited current capability value induced by turn-on and off gate resistors can be obtained with below equation.

$$I_{SOURCE} = \frac{V_{CC} - V_{OH}}{R_{G,ON}} \quad (\text{eq. 4})$$

$$I_{SINK} = \frac{V_{CC} - V_{OL}}{R_{G,OFF}}$$

where:

$I_{SOURCE}$ : Source peak current

$I_{SINK}$ : Sink peak current.

$V_{OH}$ : High level output voltage drop

$V_{OL}$ : Low level output voltage drop

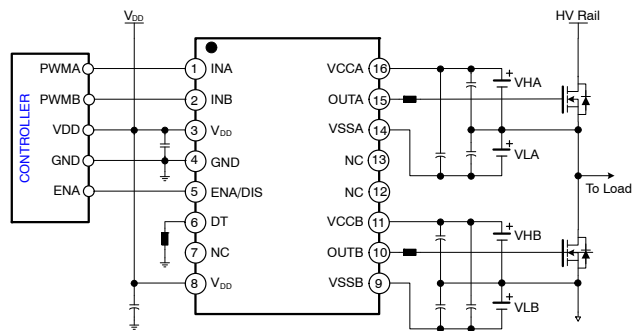
**Application Circuits with Output Stage Negative Bias**

SiC MOSFET unique operating characteristics need to be carefully considered to fully benefits from SiC characteristics. The gate driver needs to be capable of providing +20 V and -2 V to -5 V negative bias with minimum output impedance and high current capability.

When parasitic inductances are introduced by non-ideal PCB layout and long package leads (e.g. TO-220 and TO-247 type packages), there could be ringing in the gate-source drive voltage of the power transistor during high di/dt and dv/dt switching. If the ringing is over the threshold voltage, there is the risk of unintended turn-on and even shoot-through. Applying a negative bias on the gate drive is a popular way to keep such ringing below the threshold. Negative voltage can improve the noise tolerance of SiC MOSFET to suppress turning it unintentionally. The negative gate-source voltage makes the capacitance of  $C_{gd}$  becoming lower, which can reduce the ringing voltage.

Below are a few examples of implementing negative gate drive bias. The first example with negative bias with two isolated-bias power supplies as shown in Figure 60.

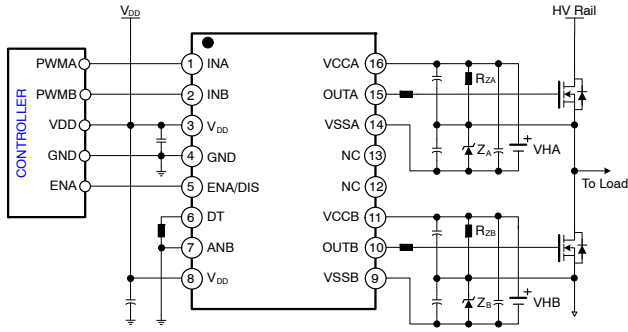
Power supply  $V_{Hx}$  determines the positive drive output voltage and  $V_{Lx}$  determines the negative turn-off voltage for each channels. This solution requires more power supplies than the conventional bootstrapped power supply example; however, it provides more flexibility when setting the positive,  $V_{Hx}$ , and negative,  $V_{Lx}$ , rail voltages.



**Figure 60. Negative Bias with Two Isolated-Bias Power Supplies**

Figure 61 shows another example with negative bias turn-off on the gate driver using a Zener diode on an isolated power supply. The negative bias set by the voltage of Zener diode. For example, if the isolated power supply,  $V_{Hx}$  for

each channels, the turn-off voltage will be  $-5.1\text{ V}$  and turn-on voltage will be  $20\text{ V} - 5.1\text{ V} \approx 15\text{ V}$ .



**Figure 61. Negative Bias with Zener Diode on Single Isolated-Bias Power Supply**

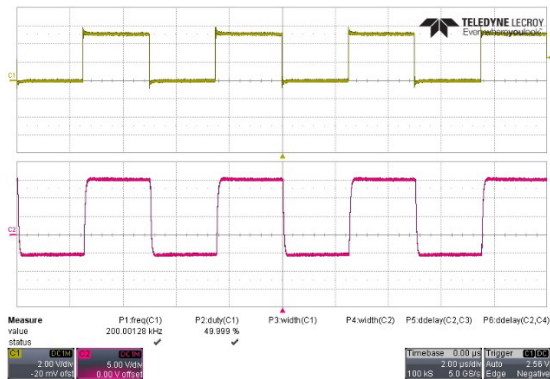
Moreover, this configuration could easily be changed negative bias by a using different Zener diode with the same  $20\text{ V}$  isolated power supply. This configuration needs two isolated power supplies for a half-bridge configuration, but this scheme is very simple.

However, it has the disadvantage of having a steady state power consumption from  $R_{Zx}$ . Therefore, one should be careful in selecting the  $R_{Zx}$  values. It is recommended that  $R_{Zx}$  allow the minimal current flow to stabilize the Zener clamping voltage (e.g.  $I_z: 5\text{ mA} \sim 10\text{ mA}$ ).

Typical recommended values are in the few kohm range (e.g.  $1\text{ k}\Omega \sim 4.7\text{ k}\Omega$ ) of SiC MOSFETs application.

**Experimental Results**

Figure 62 show the experimental results of the negative bias with Zener diode on single isolated power supply of the NCP51560 for SiC MOSFET gate drive application. The examples were design to have a  $+15\text{ V}$  and  $-5.1\text{ V}$  drive power supply referenced to the device source by using the  $20\text{ V}$  isolated power supply.



CH1: INPUT [2V/div], and CH2: OUTPUT [5 V/div]

**Figure 62. Experimental Waveforms of Negative Bias with Zener Diode on Single Isolated Power Supply**

**PCB Layout Guideline**

To improve the switching characteristics and efficiency of design, the following should be considered before beginning a PCB layout.

*Component Placement*

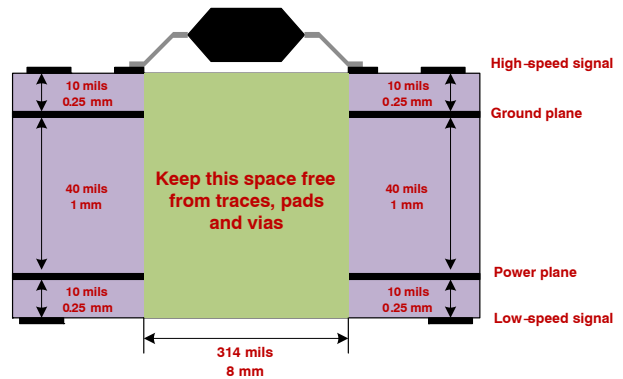
- Keep the input/output traces as short as possible. Minimize influence of the parasitic inductance and capacitance on the layout. (To maintain low signal-path inductance, avoid using via.)
- Placement and routing for supply bypass capacitors for  $V_{DD}$  and  $V_{CC}$ , and gate resistors need to be located as close as possible to the gate driver.
- The gate driver should be located switching device as close as possible to decrease the trace inductance and avoid output ringing.

*Grounding Consideration*

- Have a solid ground plane underneath the high-speed signal layer.
- Have a solid ground plane next to  $V_{SSA}$  and  $V_{SSB}$  pins with multiple  $V_{SSA}$  and  $V_{SSB}$  vias to reduce the parasitic inductance and minimize the ringing on the output signals.

*High-Voltage ( $V_{ISO}$ ) Consideration*

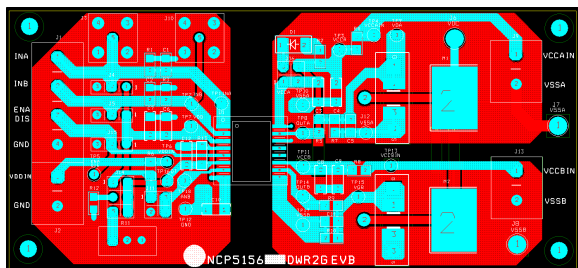
- To ensure isolation performance between the primary and secondary side, any PCB traces or copper should be not placed under the driver device as shown in Figure 63. A PCB cutout is recommended to avoid contamination that may impair the isolation performance of NCP51560.



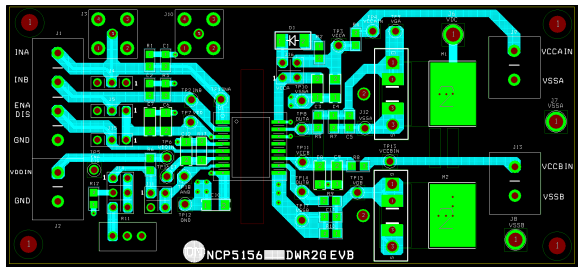
**Figure 63. Recommended Layer Stack**

# NCP51560

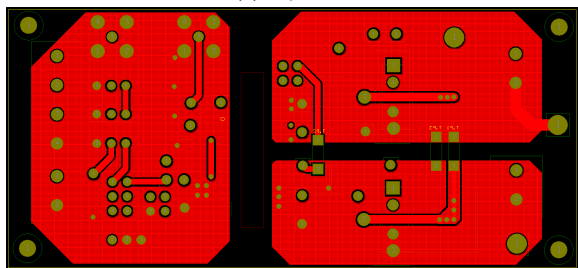
Figure 64 shows the printed circuit board layout of NCP51560 evaluation board.



(a) Top & Bottom View



(b) Top View



(c) Bottom View

**Figure 64. Printed Circuit Board**

## ORDERING INFORMATION

Device	Description	Package	UVLO	ENA/DIS	Shipping <sup>†</sup>
NCP51560ABDWR2G	High current dual isolated MOS driver	SOIC-16 WB (Pb-Free)	5 V	DISABLE	1000 / Tape & Reel
NCP51560BBDWR2G		SOIC-16 WB (Pb-Free)	8 V	DISABLE	1000 / Tape & Reel
NCP51560CBDWR2G*		SOIC-16 WB (Pb-Free)	13 V	DISABLE	1000 / Tape & Reel
NCP51560DBDWR2G*		SOIC-16 WB (Pb-Free)	17 V	DISABLE	1000 / Tape & Reel

<sup>†</sup>For information on tape and reel specifications, including part orientation and tape sizes, please refer to our Tape and Reel Packaging Specifications Brochure, BRD8011/D.

\*Option on demand.

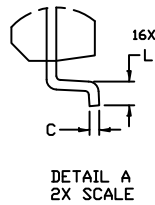
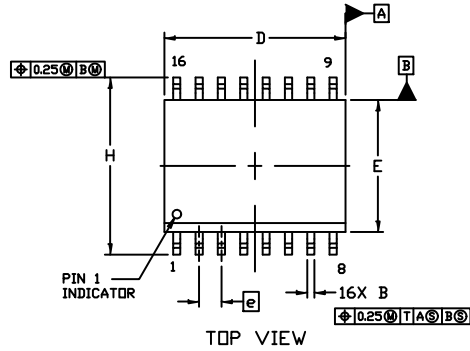
# MECHANICAL CASE OUTLINE PACKAGE DIMENSIONS



1  
SCALE 1:1

SOIC-16 WB  
CASE 751G  
ISSUE E

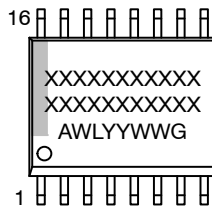
DATE 08 OCT 2021



- NOTES:
- DIMENSIONING AND TOLERANCING PER ASME Y14.5M, 1994.
  - CONTROLLING DIMENSION: MILLIMETERS
  - DIMENSION *b* DOES NOT INCLUDE DAMBAR PROTRUSION. ALLOWABLE PROTRUSION SHALL BE 0.13 TOTAL IN EXCESS OF *B* DIMENSION AT MAXIMUM MATERIAL CONDITION.
  - DIMENSIONS *D* AND *E* DO NOT INCLUDE MOLD PROTRUSIONS.
  - MAXIMUM MOLD PROTRUSION OR FLASH TO BE 0.15 PER SIDE.

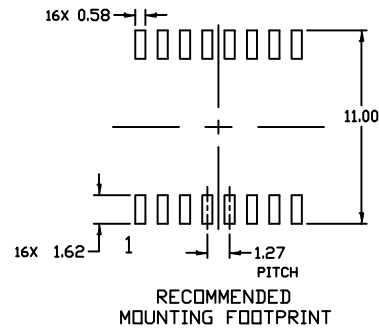
DIM	MILLIMETERS	
	MIN.	MAX.
A	2.35	2.65
A1	0.10	0.25
B	0.35	0.49
C	0.23	0.32
D	10.15	10.45
E	7.40	7.60
e	1.27 BSC	
H	10.05	10.55
h	0.53 REF	
L	0.50	0.90
M	0°	7°

### GENERIC MARKING DIAGRAM\*



- XXXXX = Specific Device Code
- A = Assembly Location
- WL = Wafer Lot
- YY = Year
- WW = Work Week
- G = Pb-Free Package

\*This information is generic. Please refer to device data sheet for actual part marking. Pb-Free indicator, "G" or microdot "▪", may or may not be present. Some products may not follow the Generic Marking.



DOCUMENT NUMBER:	98ASB42567B	Electronic versions are uncontrolled except when accessed directly from the Document Repository. Printed versions are uncontrolled except when stamped "CONTROLLED COPY" in red.
DESCRIPTION:	SOIC-16 WB	PAGE 1 OF 1

onsemi and onSEMI are trademarks of Semiconductor Components Industries, LLC dba onsemi or its subsidiaries in the United States and/or other countries. onsemi reserves the right to make changes without further notice to any products herein. onsemi makes no warranty, representation or guarantee regarding the suitability of its products for any particular purpose, nor does onsemi assume any liability arising out of the application or use of any product or circuit, and specifically disclaims any and all liability, including without limitation special, consequential or incidental damages. onsemi does not convey any license under its patent rights nor the rights of others.

**onsemi**, **Onsemi**, and other names, marks, and brands are registered and/or common law trademarks of Semiconductor Components Industries, LLC dba "**onsemi**" or its affiliates and/or subsidiaries in the United States and/or other countries. **onsemi** owns the rights to a number of patents, trademarks, copyrights, trade secrets, and other intellectual property. A listing of **onsemi**'s product/patent coverage may be accessed at [www.onsemi.com/site/pdf/Patent-Marking.pdf](http://www.onsemi.com/site/pdf/Patent-Marking.pdf). **onsemi** reserves the right to make changes at any time to any products or information herein, without notice. The information herein is provided "as-is" and **onsemi** makes no warranty, representation or guarantee regarding the accuracy of the information, product features, availability, functionality, or suitability of its products for any particular purpose, nor does **onsemi** assume any liability arising out of the application or use of any product or circuit, and specifically disclaims any and all liability, including without limitation special, consequential or incidental damages. Buyer is responsible for its products and applications using **onsemi** products, including compliance with all laws, regulations and safety requirements or standards, regardless of any support or applications information provided by **onsemi**. "Typical" parameters which may be provided in **onsemi** data sheets and/or specifications can and do vary in different applications and actual performance may vary over time. All operating parameters, including "Typicals" must be validated for each customer application by customer's technical experts. **onsemi** does not convey any license under any of its intellectual property rights nor the rights of others. **onsemi** products are not designed, intended, or authorized for use as a critical component in life support systems or any FDA Class 3 medical devices or medical devices with a same or similar classification in a foreign jurisdiction or any devices intended for implantation in the human body. Should Buyer purchase or use **onsemi** products for any such unintended or unauthorized application, Buyer shall indemnify and hold **onsemi** and its officers, employees, subsidiaries, affiliates, and distributors harmless against all claims, costs, damages, and expenses, and reasonable attorney fees arising out of, directly or indirectly, any claim of personal injury or death associated with such unintended or unauthorized use, even if such claim alleges that **onsemi** was negligent regarding the design or manufacture of the part. **onsemi** is an Equal Opportunity/Affirmative Action Employer. This literature is subject to all applicable copyright laws and is not for resale in any manner.

## PUBLICATION ORDERING INFORMATION

### LITERATURE FULFILLMENT:

Email Requests to: [orderlit@onsemi.com](mailto:orderlit@onsemi.com)

**onsemi Website:** [www.onsemi.com](http://www.onsemi.com)

### TECHNICAL SUPPORT

**North American Technical Support:**  
Voice Mail: 1 800-282-9855 Toll Free USA/Canada  
Phone: 011 421 33 790 2910

**Europe, Middle East and Africa Technical Support:**

Phone: 00421 33 790 2910

For additional information, please contact your local Sales Representative