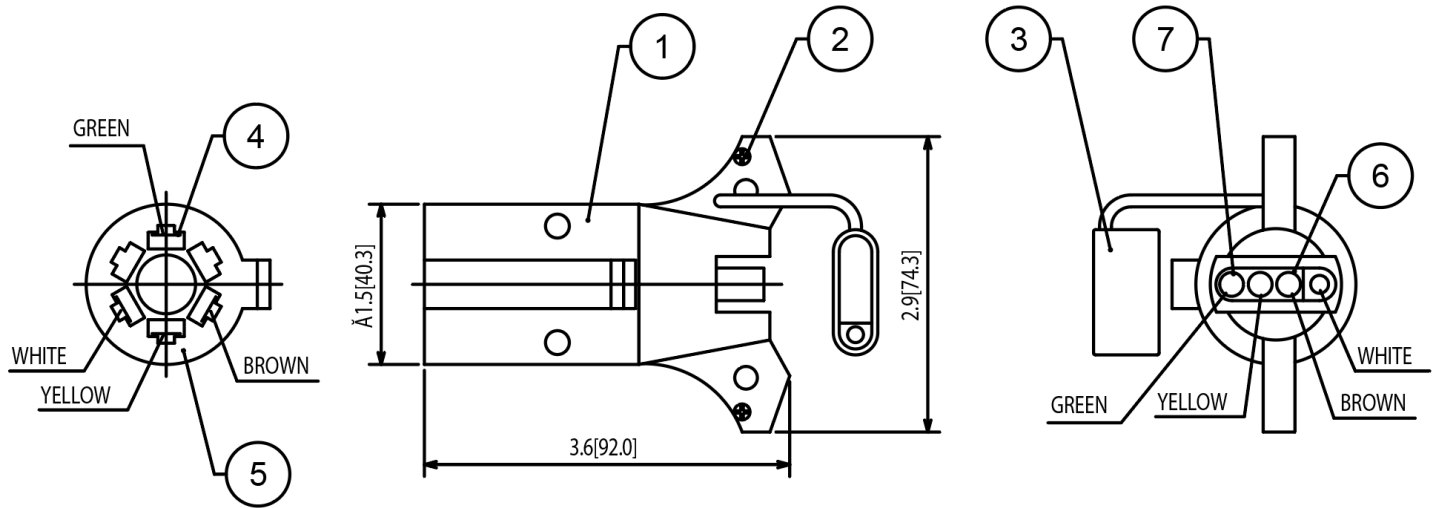


## Mechanical Dimensions: Inches [mm]

Tolerances  $\pm 0.012$  [0.3] Unless Otherwise Specified



TOLERANCES:  
 1mm~5mm:  $\pm 0.1$   
 6mm~20mm:  $\pm 0.2$   
 21mm~50mm:  $\pm 0.3$   
 51mm~100mm:  $\pm 0.5$   
 ANGLES:  $\pm 1^\circ$

## Material Specifications

ITEM#	NAME	MATERIAL
1	PLUG SHELL	NYLON
2	BASE SET SCREW	IRON
3	COVER	PVC
4	TERMINAL	BRASS
5	TERMINAL BASE	NYLON
6	4-WAY OVERMOLD	PVC
7	OVERMOLD TERMINAL	BRASS

Rev	Date of issue	Revision Notes	Designed	Approved
A	08-28-2019	Initial Drawing	RC	OH