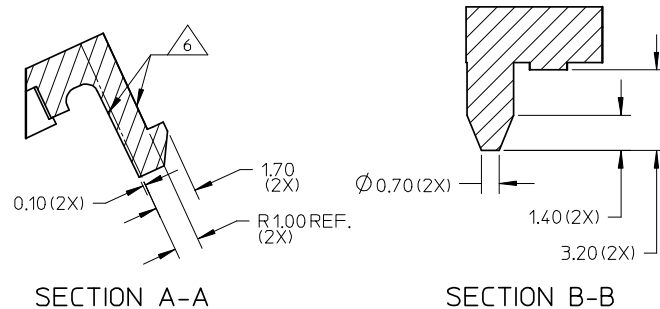
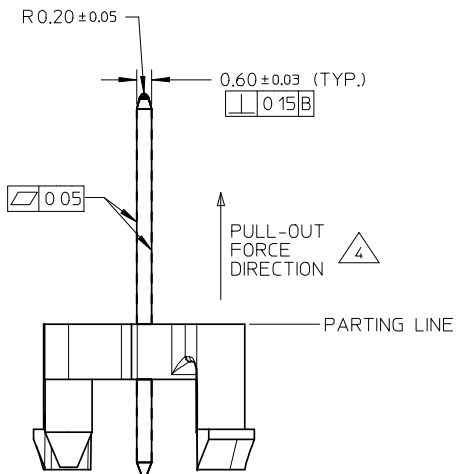
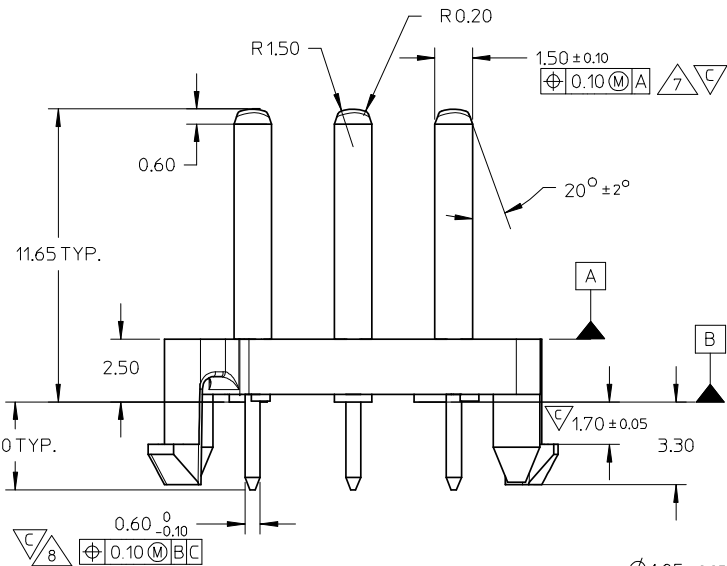
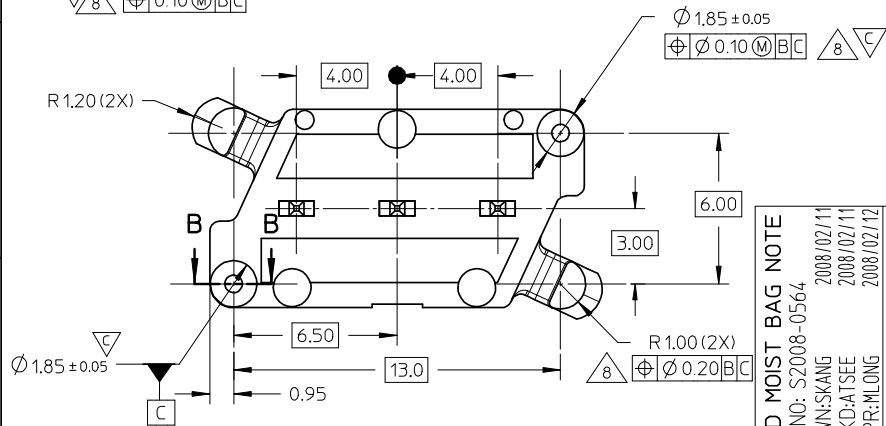


NOTES

1. MATERIAL:  
HOUSING : THERMO-PLASTIC PA66, GLASS FILLED,  
COLOR: BIEGE.  
TERMINAL: COPPER ALLOY, BRASS C26000.
2. FINISH:  
OVERALL 5um TO 10um TIN OVER 2um TO 4 um NICKEL UNDERPLATED.
3. PRODUCT SPECIFICATION: PS-87727-005.
4. MINIMUM PIN RETENTION FORCE PER PIN : 10N
5. CONNECTOR IS DESIGNED FOR WAVE SOLDERING PROCESS.
6. PERMISSIBLE DRAFT ANGLE: 1 deg.
7. TO BE MEASURED AT DATUM A.
8. TO BE MEASURED AT DATUM B.
9. REPRESENT SIGNIFICANT CHARACTERISTICS SYMBOLS IN CUSTOMER DRAWINGS.
10. PARTS SHALL BE PACKED IN MOISTURE BARRIER BAG.



CUSTOMER APPROVAL REQUIRE



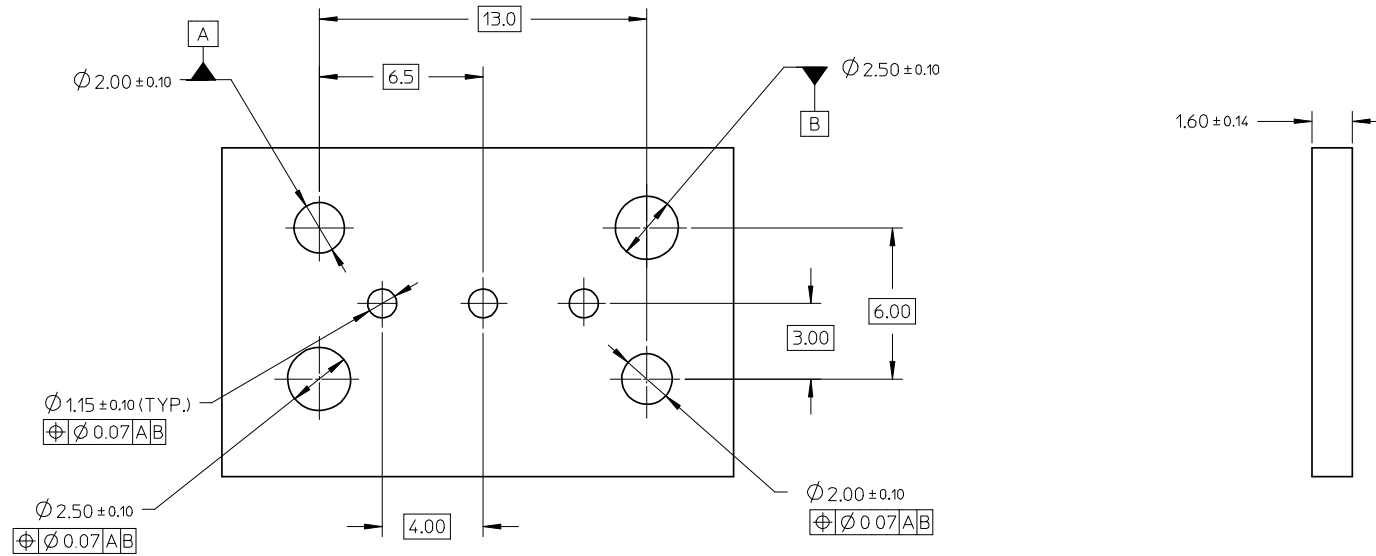
ADD MOIST BAG NOTE  
EC NO: SZ008-0564  
DRWN:SKANG  
CHKD:ATSE  
APPR:MLONG

REV	DESCRIPTION
A2	

QUALITY SYMBOLS	GENERAL TOLERANCES (UNLESS SPECIFIED)	
	mm	INCH
▽=0	4 PLACES ± ---	± ---
▽=5	3 PLACES ± ---	± ---
	2 PLACES ± 0.10	± ---
	1 PLACE ± 0.20	± ---
	ANGULAR ± 3 °	

DIMENSION STYLE		SCALE	DESIGN UNITS	THIRD ANGLE PROJECTION
MM ONLY		NTS	METRIC	
DRAWN BY	DATE	TITLE		
PTL IM	2002/05/23	3 PINS HEADER VERTICAL THRU-HOLE SIREN SYSTEM		
CHECKED BY	DATE	MOLEX INCORPORATED		
KCL ING	2002/06/04	MATERIAL NO. 87727-0001		
APPROVED BY	DATE	DOCUMENT NO. SD-87727-001		
SKTOH	2002/06/04	SHEET NO. 1 OF 2		

DRAFT WHERE APPLICABLE MUST REMAIN WITHIN DIMENSIONS		THIS DRAWING CONTAINS INFORMATION THAT IS PROPRIETARY TO MOLEX INCORPORATED AND SHOULD NOT BE USED WITHOUT WRITTEN PERMISSION	
SIZE	A3		



RECOMMENDED PCB LAYOUT

ADD MOIST BAG NOTE EC NO: S2008-0564 DRWN:SKANG CHKD:ATSEE APPR:MLONG	2008/02/11 2008/02/11 2008/02/12	DESCRIPTION REV	QUALITY SYMBOLS	GENERAL TOLERANCES (UNLESS SPECIFIED)	DIMENSION STYLE	SCALE	DESIGN UNITS	THIRD ANGLE PROJECTION
			$\nabla=0$ $\nabla C=0$	mm    INCH 4 PLACES ± --- ± --- 3 PLACES ± --- ± --- 2 PLACES ± 0.10 ± --- 1 PLACE ± 0.20 ± --- ANGULAR ± 3 °	MM ONLY	NTS	METRIC	
				DRAWN BY: PTL IM    DATE: 2002/05/23 CHECKED BY: KCL ING    DATE: 2002/06/04 APPROVED BY: SKTOH    DATE: 2002/06/04	TITLE	3 PINS HEADER VERTICAL THRU-HOLE SIREN SYSTEM		
			MATERIAL NO. 87727-0001 DOCUMENT NO. SD-87727-001 SHEET NO. 2 OF 2	MOLEX INCORPORATED				

DRAFT WHERE APPLICABLE  
MUST REMAIN  
WITHIN DIMENSIONS

THIS DRAWING CONTAINS INFORMATION THAT IS PROPRIETARY TO MOLEX INCORPORATED AND SHOULD NOT BE USED WITHOUT WRITTEN PERMISSION