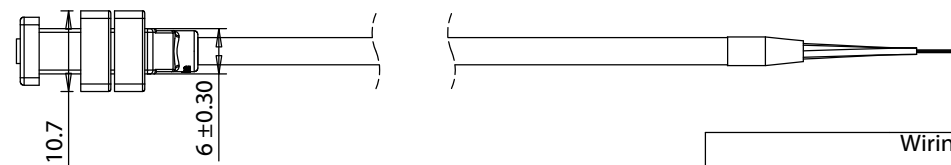
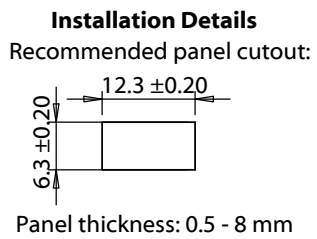
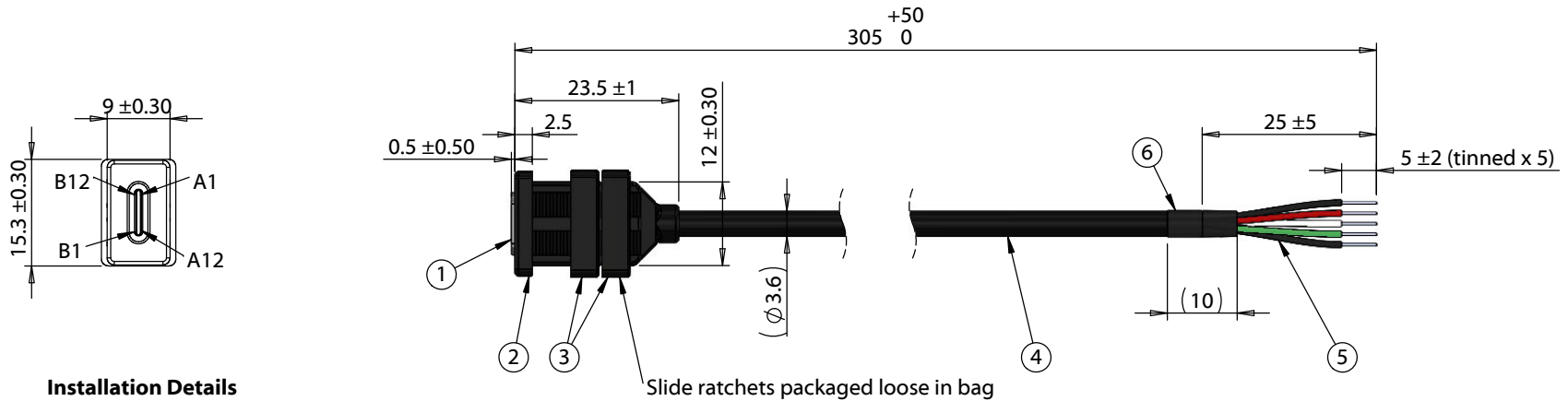


ITEM NO.	PART NUMBER	DESCRIPTION	QTY.	COMPONENT NOTES
1	50-00950	Connector, USB C jack, molding style	1	
2	24-00360	Overmold, panel mount USB jack, type C	1	Nylon, black
3	55-00140	Slide ratchet, panel mount USB jack, Nylon	2	Black
4	30-00088	Wire, 4C, 1PR + 2C, 28 AWG, UL2725, 30V, 80C, 3.6 mm, shielded, VW-1, PVC, 79A, USB 2.0	1	
5	Heat shrink	black, UL	1	Covers shield
6	Heat shrink	black, UL	1	Covers jacket end



Slide ratchets packaged loose in bag

Wiring Diagram		
50-00950	Signal Name	Wire Color
A1, B1, A12, B12	Gnd	Black
A4, B4, A9, B9	VBus	Red
A6, B6	D+	Green
A7, B7	D-	White
Shell	Shield	Shield

- Notes:**
- Cables individually packaged two slide ratchets (55-00140) within bag
  - For ideal retention, please use both slide ratchets
  - Caution: Ratchets are intended for single use installation. Multiple removals and installations will diminish ratcheting retention.
  - Cable meets USB 2.0 requirements

Revision:	Date:	Description:	Prepared:	Notes: RoHS compliant Function test: no open, no short circuit, no intermittent	<h1>TENSILITY</h1> <p>tel 1.541.323.3228 800 877.670.7118 fax 1.541.323.4202 web tensility.com</p>
A	8/20/2020	Initial release	Verified:		
A1	11/2/2020	Changed overmold p/n	Dimensions are in millimeters. Tolerances: X: ± 0.5 mm X.X: ± 0.3 mm X.XX: ± 0.05 mm		
Description: Cable, 305 mm, panel mount USB 2.0 Type-C jack 50-00950 to stripped tinned, 28 AWG, 30-00088 wire				Size: A	Part number: 10-03711
				Scale: 1:1	Sheet 1 of 1

5 4 3 2 1

To see a custom version of this cable assembly, call Tensility at 541-323-3228 or email engineering@tensility.com