

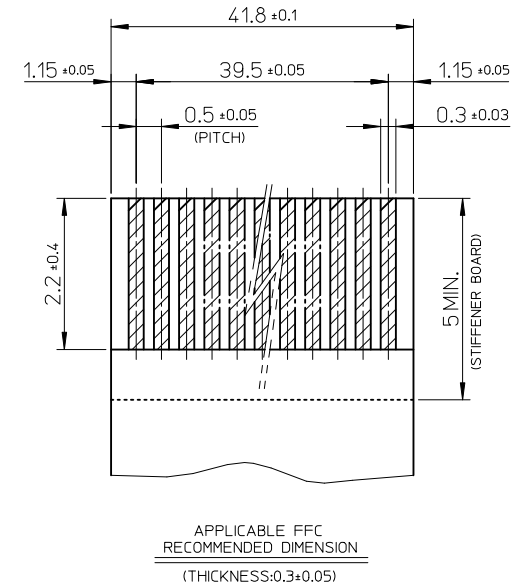
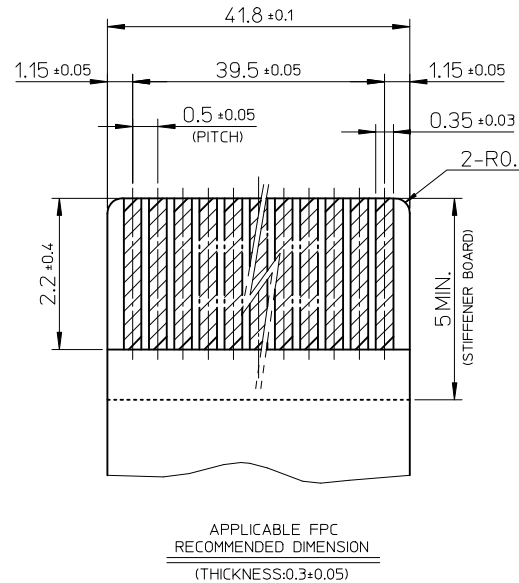
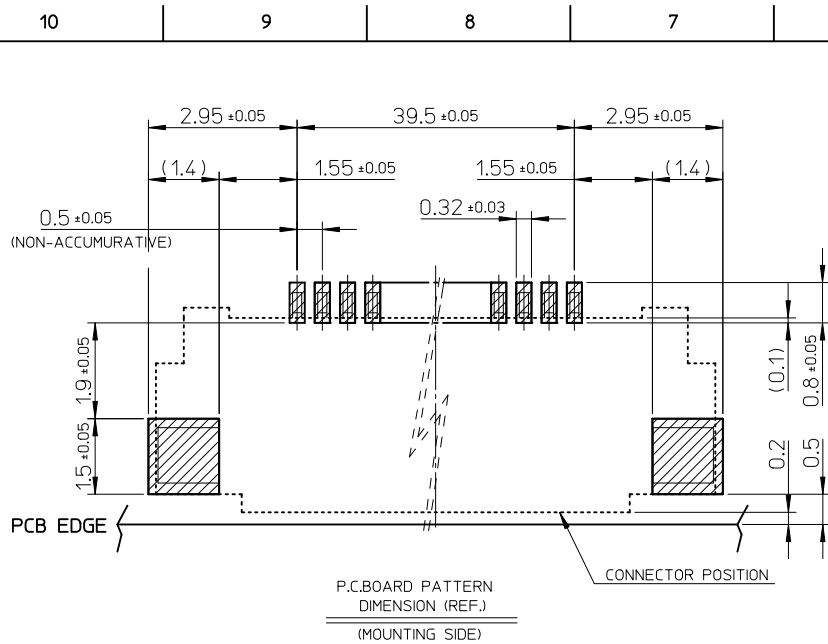
104114-8017 80  
ORDER NO. CKT

NEW RELEASED EC NO: KOR2012-0054 DRWN: JHLEE05 2011/12/06 CHKD: KSKIM 2011/12/06 APPR: YUNSIKKIM 2011/12/29	QUALITY SYMBOLS	DESCRIPTION
	▽=0	
	⊕=0	
	REV	

GENERAL TOLERANCES (UNLESS SPECIFIED)	mm	INCH
4 PLACES	± ---	± ---
3 PLACES	± 0.20	± ---
2 PLACES	± 0.25	± ---
1 PLACE	± 0.3	± ---
ANGULAR ± 1 °		
DRAFT WHERE APPLICABLE MUST REMAIN WITHIN DIMENSIONS		

DIMENSION STYLE		SCALE	DESIGN UNITS
MM ONLY		5:1	METRIC
DRAWN BY	DATE	TITLE	
JHLEE05	2011/12/06	0.5MM FPC/FFC FRONTFLIP SLIM CNT 80P (H=1.5) HOUSING ASS'Y	
CHECKED BY	DATE	MOLEX INCORPORATED	
KSKIM	2011/12/06	DOCUMENT NO. SD-104114-001	
APPROVED BY	DATE	SHEET NO. 1 OF 3	
YUNSIKKIM	2011/12/29		
MATERIAL NO.		SEE TABLE	
SIZE		THIS DRAWING CONTAINS INFORMATION THAT IS PROPRIETARY TO MOLEX INCORPORATED AND SHOULD NOT BE USED WITHOUT WRITTEN PERMISSION	
A3			

THIRD ANGLE PROJECTION
MOLEX INCORPORATED
SD-104114-001
1 OF 3



**NOTES**

1. MATERIAL

HOUSING	LIQUID CRYSTAL POLYMER GLASS FILLED,UL94V-0(NATURAL)
ACTUATOR	POLYPHENYLENE SULFIDE GLASS FILLED,UL94V-0(BLACK)
TERMINAL	PHOSPHOR BRONZE
FITTING NAIL	PHOSPHOR BRONZE

2. PLATING

- TERMINAL : SELECTIVE GOLD[Au] OVER NICKEL[Ni] PLATING.
- CONTACT AREA : GOLD[Au] 0.1 MICROMETER MIN. OVER NICKEL[Ni] 1.0 MICROMETER MIN.(UNDER PLATING)
- SOLDER AREA : GOLD[Au] 0.05 MICROMETER MIN. OVER NICKEL[Ni] 1.0 MICROMETER MIN.(UNDER PLATING)
- FITTING NAIL : TIN[Sn] OVER NICKEL[Ni] PLATING.
- Tin[Sn] 1~3 MICROMETER.
- NICKEL[Ni] 1~3 MICROMETER (UNDER PLATING)

3. PRODUCT SPECIFICATION : PS-104114-001

PACKING SPECIFICATION : PK-104114-001

4. ACTUATOR IS CLOSED IN THE EMBOSSED PACKING

- △ FITTING NAIL FOR PREVENTION OF PEELING OF PCB PATTERN.
- △ R0.3 MUST NOT BE OVERLAPPED TO PATTERN OF FPC.
- 7. COPLANARITY IS 0.08MAX.

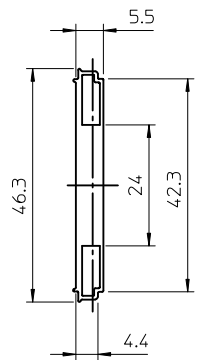
ABOUT FPC/FFC

RECOMMENDED PUNCHER DIRECTION : FROM CONDUCTOR SIDE TO STIFFENER FILM SIDE.  
RECOMMENDED CONDUCTOR THICKNESS OF SOFT COPPER FOIL : 35 μm OR 50 μm.

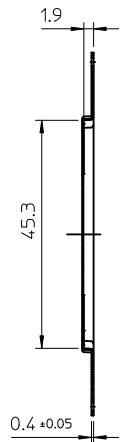
RECOMMENDED MATERIAL/THICKNESS.  
STIFFENER FILM : POLYIMIDE  
BONDING AGENT : THERMOSETTING BONDING AGENT  
BASE FILM THICKNESS : 25 μm

PLEASE PUT APPROPRIATE AMOUNT OF ADHESIVE ON THE CONTACT AREA BECAUSE THE EXTRA ADHESIVE MAY CAUSE THE DEFECT IN ELECTRICAL CONTINUITY.

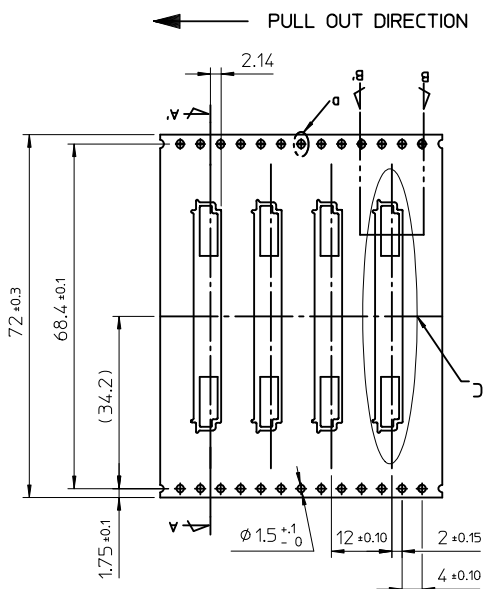
<b>NEW RELEASED</b> EC NO: KOR2012-0054 DRWN: JHLEE05 2011/12/06 CHKD: KSKIM 2011/12/06 APPR: YUNSIKKIM 2011/12/29	QUALITY SYMBOLS ▽=0 ◻=0	GENERAL TOLERANCES (UNLESS SPECIFIED)		DIMENSION STYLE	SCALE	DESIGN UNITS	THIRD ANGLE PROJECTION		
				MM ONLY	5:1	METRIC			
			mm	INCH	DRAWN BY	DATE	TITLE		
		4 PLACES	± ---	± ---	JHLEE05	2011/12/06	0.5MM FPC/FFC FRONTFLIP SLIM CNT 80P (H=1.5) HOUSING ASS'Y		
3 PLACES	± 0.20	± ---	CHECKED BY	DATE	MOLEX INCORPORATED				
2 PLACES	± 0.25	± ---	KSKIM	2011/12/06	DOCUMENT NO.				
1 PLACE	± 0.3	± ---	APPROVED BY	DATE	SHEET NO.				
ANGULAR ± 1 °		YUNSIKKIM		2011/12/29	1041148017				
DRAFT WHERE APPLICABLE MUST REMAIN WITHIN DIMENSIONS		MATERIAL NO.		1041148017		SD-104114-001			
		SIZE		THIS DRAWING CONTAINS INFORMATION THAT IS PROPRIETARY TO MOLEX INCORPORATED AND SHOULD NOT BE USED WITHOUT WRITTEN PERMISSION					
		A3							



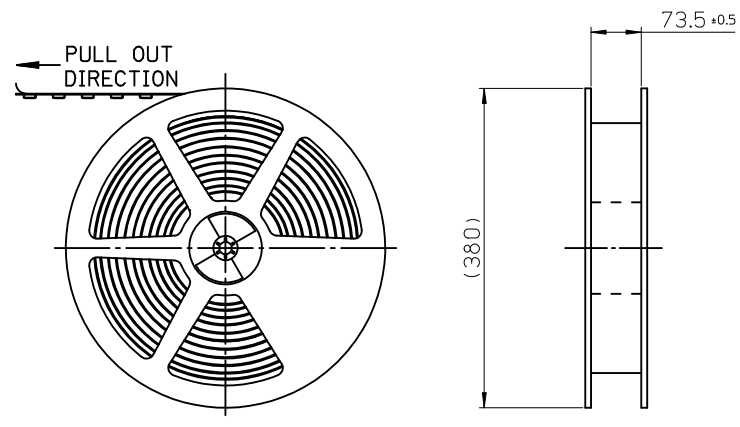
DETAIL C



SECTION A-A



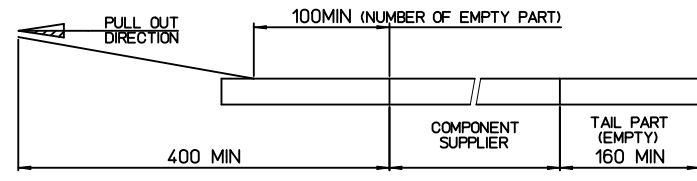
72MM WIDTH CARRIER TAPE



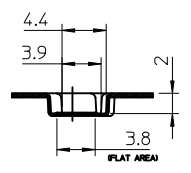
PLASTIC BOBBIN

NOTES

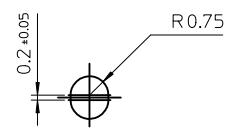
1. QUANTITY OF CONNECTORS : 3000PCS/REEL
2. LEAD LENGTH



3. THIS PRODUCT IS HALOGEN FREE (LV.2)

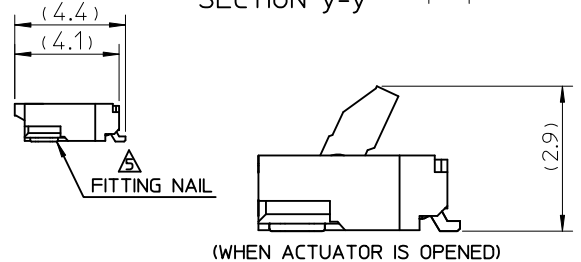
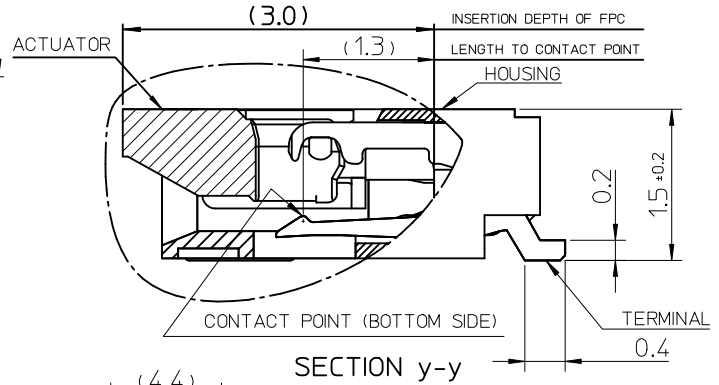
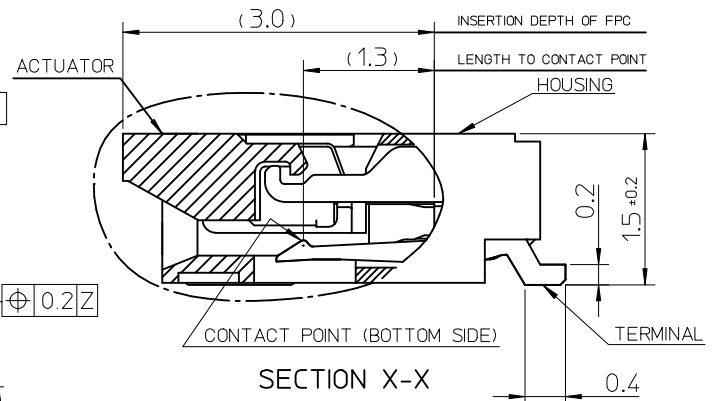
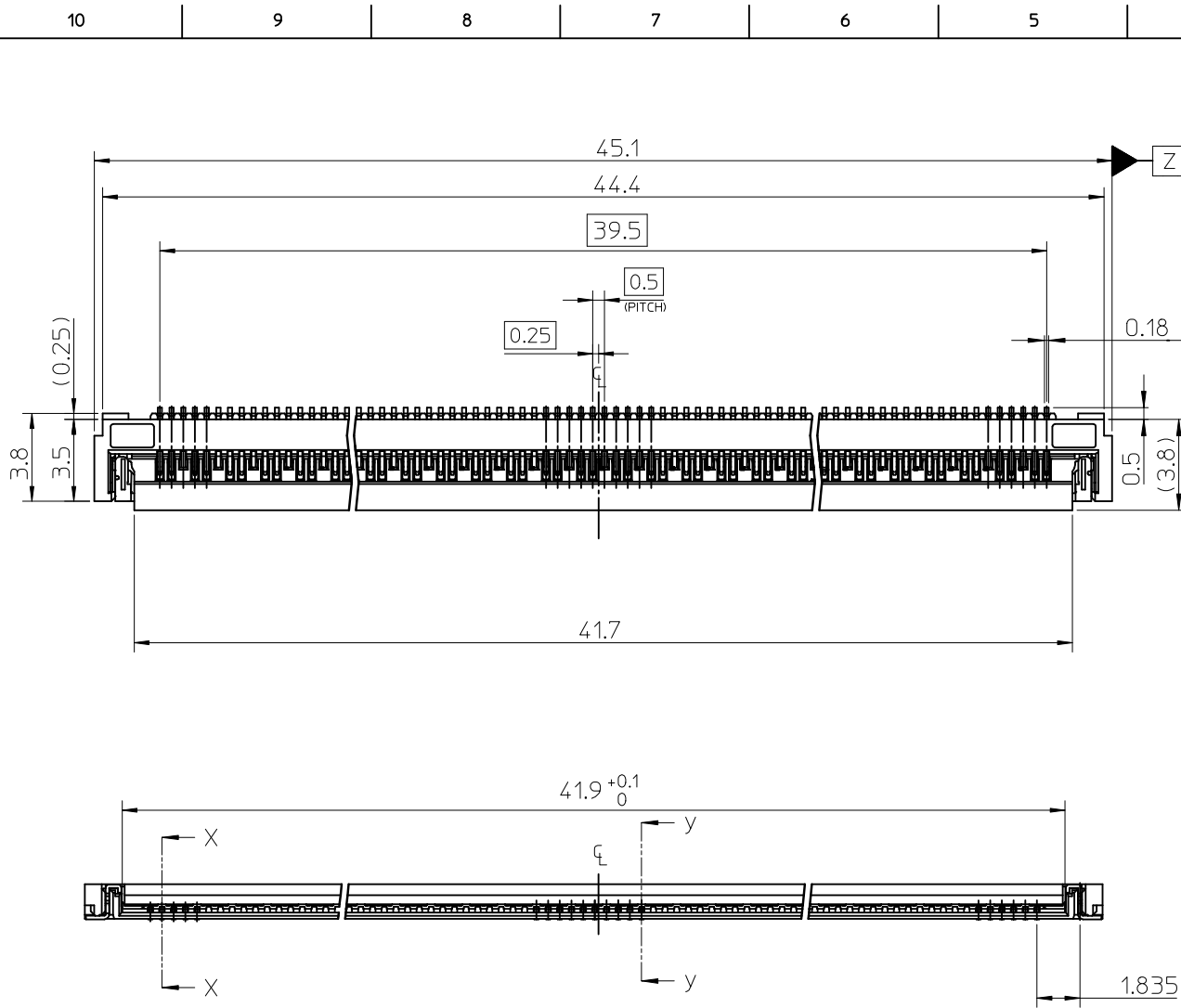


SECTION B-B



DETAIL D

NEW RELEASED EC NO: KOR2012-0054 DRWN: JHLEE05 2011/12/06 CHKD: KSKIM 2011/12/06 APPR: YUNSIKKIM 2011/12/29	QUALITY SYMBOLS ▽=0 ◻=0	GENERAL TOLERANCES (UNLESS SPECIFIED)		DIMENSION STYLE	SCALE	DESIGN UNITS	THIRD ANGLE PROJECTION		
				MM ONLY	1:1	METRIC			
			mm	INCH	DRAWN BY	DATE	TITLE		
		4 PLACES	± ---	± ---	JHLEE05	2011/12/06	0.5MM FPC/FFC FRONTFLIP SLIM CNT 80P (H=1.5) HOUSING ASS'Y		
3 PLACES	± 0.20	± ---	CHECKED BY	DATE	MOLEX INCORPORATED				
2 PLACES	± 0.25	± ---	KSKIM	2011/12/06	DOCUMENT NO.				
1 PLACE	± 0.3	± ---	APPROVED BY	DATE	SHEET NO.				
ANGULAR ± 1 °		YUNSIKKIM		2011/12/29	3 OF 3				
DRAFT WHERE APPLICABLE MUST REMAIN WITHIN DIMENSIONS		MATERIAL NO.		THIS DRAWING CONTAINS INFORMATION THAT IS PROPRIETARY TO MOLEX INCORPORATED AND SHOULD NOT BE USED WITHOUT WRITTEN PERMISSION					
A		1041148017		SD-104114-001					



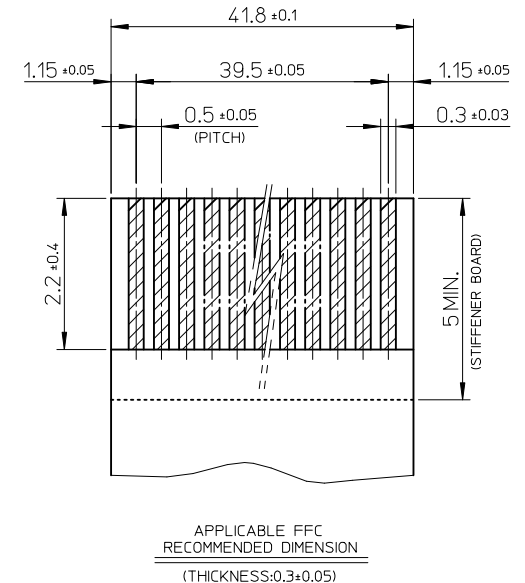
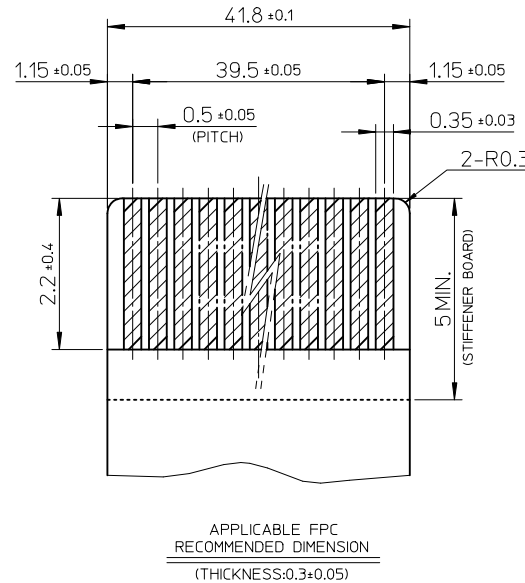
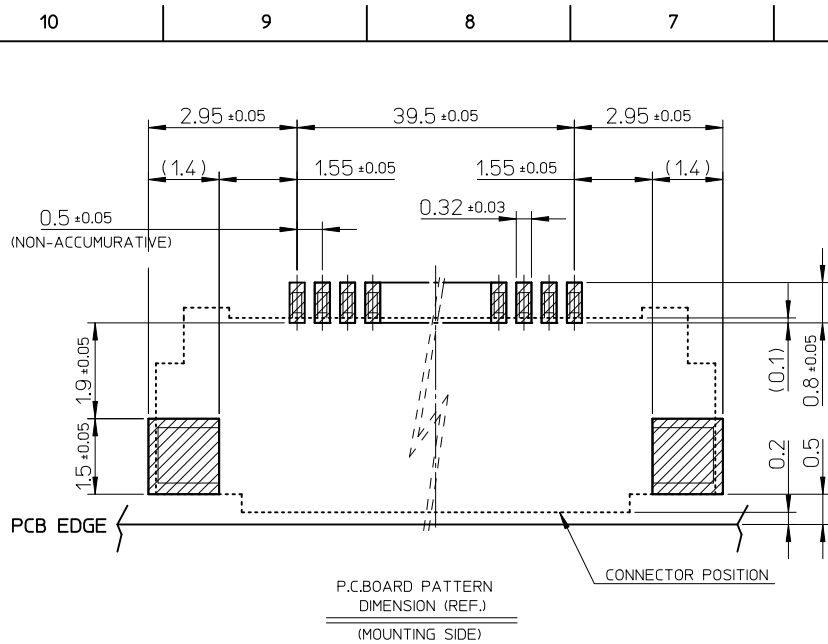
104114-8017 80  
ORDER NO. CKT

NEW RELEASED EC NO: KOR2012-0054 DRWN: JHLEE05 2011/12/06 CHKD: KSKIM 2011/12/06 APPR: YUNSIKKIM 2011/12/29	QUALITY SYMBOLS	DESCRIPTION
	▽=0	
	⊕=0	
	REV	

GENERAL TOLERANCES (UNLESS SPECIFIED)	mm	INCH
4 PLACES	± ---	± ---
3 PLACES	± 0.20	± ---
2 PLACES	± 0.25	± ---
1 PLACE	± 0.3	± ---
ANGULAR ± 1 °		
DRAFT WHERE APPLICABLE MUST REMAIN WITHIN DIMENSIONS		

DIMENSION STYLE		SCALE	DESIGN UNITS
MM ONLY		5:1	METRIC
DRAWN BY	DATE	TITLE	
JHLEE05	2011/12/06	0.5MM FPC/FFC FRONTFLIP SLIM CNT 80P (H=1.5) HOUSING ASS'Y	
CHECKED BY	DATE	MOLEX INCORPORATED	
KSKIM	2011/12/06	MOLEX INCORPORATED	
APPROVED BY	DATE	DOCUMENT NO.	
YUNSIKKIM	2011/12/29	SD-104114-001	
MATERIAL NO.		SHEET NO.	
SEE TABLE		1 OF 3	

THIRD ANGLE PROJECTION	SIZE	THIS DRAWING CONTAINS INFORMATION THAT IS PROPRIETARY TO MOLEX INCORPORATED AND SHOULD NOT BE USED WITHOUT WRITTEN PERMISSION	
	A3		



**NOTES**

1. MATERIAL

HOUSING	LIQUID CRYSTAL POLYMER GLASS FILLED,UL94V-0(NATURAL)
ACTUATOR	POLYPHENYLENE SULFIDE GLASS FILLED,UL94V-0(BLACK)
TERMINAL	PHOSPHOR BRONZE
FITTING NAIL	PHOSPHOR BRONZE

2. PLATING

- TERMINAL : SELECTIVE GOLD[Au] OVER NICKEL[Ni] PLATING.
- CONTACT AREA : GOLD[Au] 0.1 MICROMETER MIN. OVER NICKEL[Ni] 1.0 MICROMETER MIN.(UNDER PLATING)
- SOLDER AREA : GOLD[Au] 0.05 MICROMETER MIN. OVER NICKEL[Ni] 1.0 MICROMETER MIN.(UNDER PLATING)
- FITTING NAIL : TIN[Sn] OVER NICKEL[Ni] PLATING.
- Tin[Sn] 1~3 MICROMETER.
- NICKEL[Ni] 1~3 MICROMETER (UNDER PLATING)

3. PRODUCT SPECIFICATION : PS-104114-001

PACKING SPECIFICATION : PK-104114-001

4. ACTUATOR IS CLOSED IN THE EMBOSSED PACKING

- △ FITTING NAIL FOR PREVENTION OF PEELING OF PCB PATTERN.
- △ R0.3 MUST NOT BE OVERLAPPED TO PATTERN OF FPC.
- 7. COPLANARITY IS 0.08MAX.

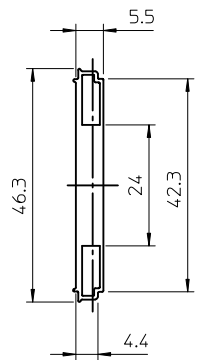
ABOUT FPC/FFC

RECOMMENDED PUNCHER DIRECTION : FROM CONDUCTOR SIDE TO STIFFENER FILM SIDE.  
RECOMMENDED CONDUCTOR THICKNESS OF SOFT COPPER FOIL : 35 μm OR 50 μm.

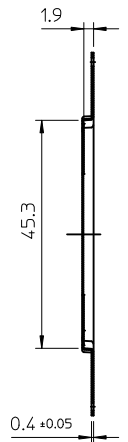
RECOMMENDED MATERIAL/THICKNESS.  
STIFFENER FILM : POLYIMIDE  
BONDING AGENT : THERMOSETTING BONDING AGENT  
BASE FILM THICKNESS : 25 μm

PLEASE PUT APPROPRIATE AMOUNT OF ADHESIVE ON THE CONTACT AREA BECAUSE THE EXTRA ADHESIVE MAY CAUSE THE DEFECT IN ELECTRICAL CONTINUITY.

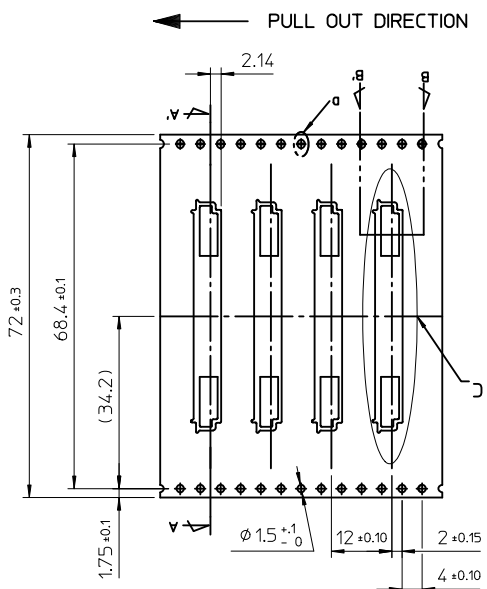
<b>NEW RELEASED</b> EC NO: KOR2012-0054 DRWN: JHLEE05 2011/12/06 CHKD: KSKIM 2011/12/06 APPR: YUNSIKKIM 2011/12/29	QUALITY SYMBOLS ▽=0 ◻=0	GENERAL TOLERANCES (UNLESS SPECIFIED)		DIMENSION STYLE	SCALE	DESIGN UNITS	THIRD ANGLE PROJECTION		
				MM ONLY	5:1	METRIC			
			mm	INCH	DRAWN BY	DATE	TITLE		
		4 PLACES	± ---	± ---	JHLEE05	2011/12/06	0.5MM FPC/FFC FRONTFLIP SLIM CNT 80P (H=1.5) HOUSING ASS'Y		
3 PLACES	± 0.20	± ---	CHECKED BY	DATE	MOLEX INCORPORATED				
2 PLACES	± 0.25	± ---	KSKIM	2011/12/06					
1 PLACE	± 0.3	± ---	APPROVED BY	DATE	DOCUMENT NO.				
ANGULAR ± 1 °			YUNSIKKIM	2011/12/29					
DRAFT WHERE APPLICABLE MUST REMAIN WITHIN DIMENSIONS		MATERIAL NO.		1041148017		SD-104114-001			
		SIZE		THIS DRAWING CONTAINS INFORMATION THAT IS PROPRIETARY TO MOLEX INCORPORATED AND SHOULD NOT BE USED WITHOUT WRITTEN PERMISSION					
		A3							
				SHEET NO.					
				2 OF 3					



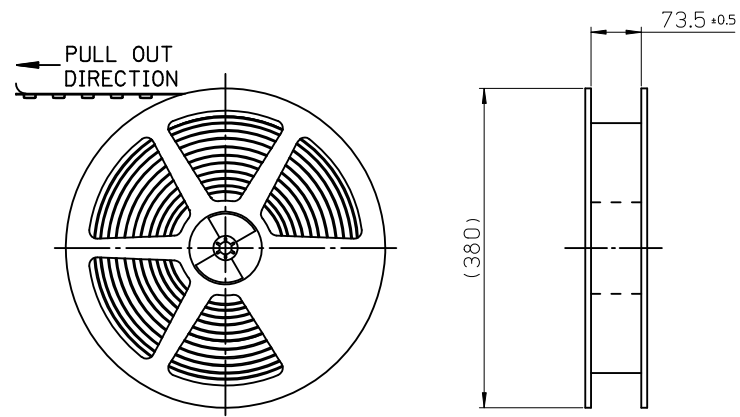
DETAIL C



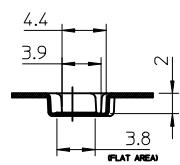
SECTION A-A



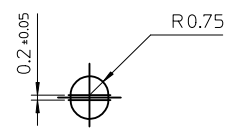
72MM WIDTH CARRIER TAPE



PLASTIC BOBBIN



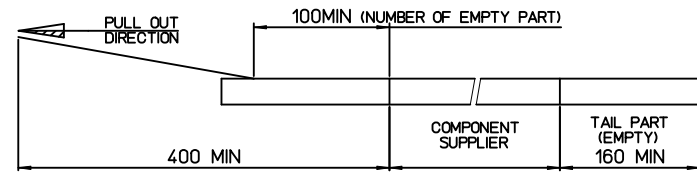
SECTION B-B



DETAIL D

NOTES

- 1. QUANTITY OF CONNECTORS : 3000PCS/REEL
- 2. LEAD LENGTH



3. THIS PRODUCT IS HALOGEN FREE (LV.2)

NEW RELEASED EC NO: KOR2012-0054 DRWN: JHLEE05 2011/12/06 CHKD: KSK IM 2011/12/06 APPR: YUNSIKKIM 2011/12/29	QUALITY SYMBOLS	GENERAL TOLERANCES (UNLESS SPECIFIED)	DIMENSION STYLE	SCALE	DESIGN UNITS	THIRD ANGLE PROJECTION
	▽=0 □=0	mm    INCH 4 PLACES ± --- ± --- 3 PLACES ± 0.20 ± --- 2 PLACES ± 0.25 ± --- 1 PLACE ± 0.3 ± --- ANGULAR ± 1 °	MM ONLY	1:1	METRIC	
	DESCRIPTION	DRAFT WHERE APPLICABLE MUST REMAIN WITHIN DIMENSIONS	DRAWN BY DATE	TITLE		
	REV		YUNSIKKIM 2011/12/29	0.5MM FPC/FFC FRONTFLIP SLIM CNT 80P (H=1.5) HOUSING ASS'Y		
			APPROVED BY DATE	MOLEX INCORPORATED		
			YUNSIKKIM 2011/12/29	SD-104114-001		
			MATERIAL NO.	DOCUMENT NO.	SHEET NO.	
			1041148017		3 OF 3	
			SIZE A3	THIS DRAWING CONTAINS INFORMATION THAT IS PROPRIETARY TO MOLEX INCORPORATED AND SHOULD NOT BE USED WITHOUT WRITTEN PERMISSION		