

SPECIFICATION FOR APPROVAL



TO: _____

PART NO.		REV.		DELTA SAMPLE ISSUE NO	
PART NAME	EMI FILTER		DELTA MODEL		10SB3M
ORDER P/N.	10SB3M		SAMPLE ISSUE DATE		

1. ELECTRICAL CHARACTERISTICS:

1-1. VOLTAGE RATING 115/250VAC

1-2. CURRENT RATING

A. AT 115VAC 10 A RMS Max.

B. AT 250VAC 6 A RMS Max.

1-3. OPERATING FREQUENCY..... 50/60 Hz

1-4. LEAKAGE CURRENT: EACH LINE TO GROUND

A. @115VAC 60Hz 2.0 uA Max.

B. @250VAC 50Hz 5.0 uA Max.

1-5. HIPOT RATING (FOR ONE MINUTE)

A. LINE TO GROUND 2250VDC

B. LINE TO LINE 1450VDC

1-6. TEMPERATURE RANGE: -25 TO +100 DEGREE C

1-7. MINIMUM INSERTION LOSS IN dB: (AT 50 OHM SYSTEM)

FREQ. MHz	.01	.05	.10	.15	.50	1.0	5.0	10	30
COM. MODE dB	/	1	4	5	10	10	10	10	7
DIF. MODE dB	/	0	2	4	10	15	22	22	20

1-8. SAFETY



REPORT BY	CHECKED BY	APPROVED BY	3	
			2	
			REV.1	

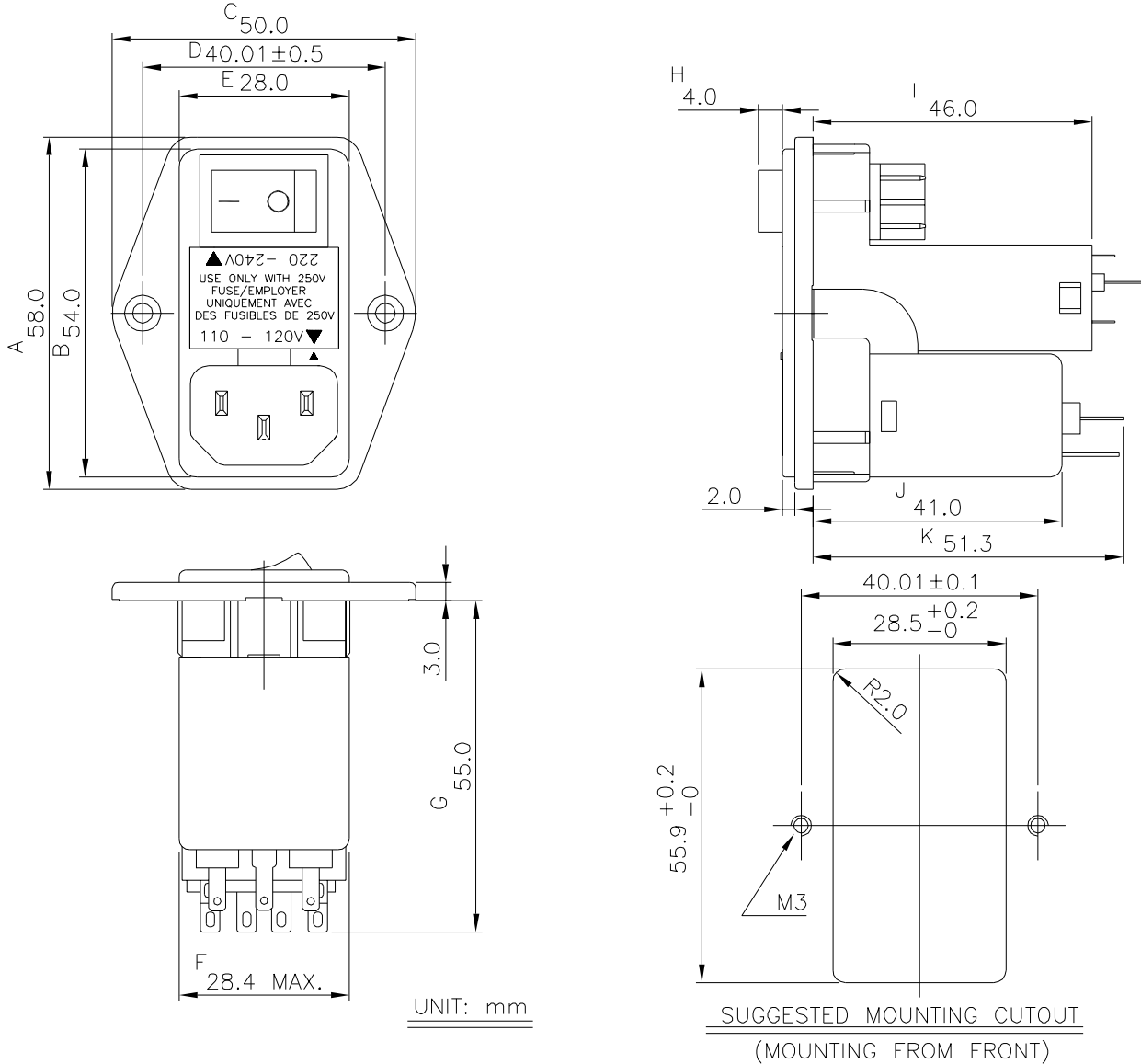
SPECIFICATION FOR APPROVAL



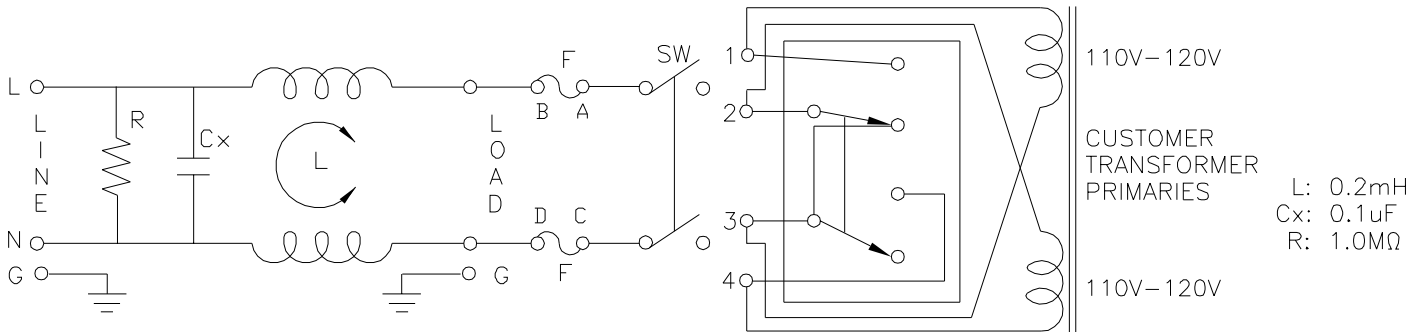
TO: _____

PART NO.		REV.		DELTA SAMPLE ISSUE NO	
PART NAME	EMI FILTER			DELTA MODEL	10SB3M
ORDER P/N.	10SB3M			SAMPLE ISSUE DATE	

2. PHYSICAL DIMENSIONS:



3. SCHEMATIC:



REPORT BY	CHECKED BY	APPROVED BY	UNLESS OTHERWISE SPECIFIED DIMENSION TOLERANCE		
			DCEIMALS	.X± 1.0	.XX±
					ANGLES±
			REV.		

DELTA ELECTRONICS, INC.

186 RUEY KUANG ROAD, NEIHU. TAIPEI 114,
TAIWAN, R.O.C.
TEL:886-2-87972088 FAX:886-2-87972120