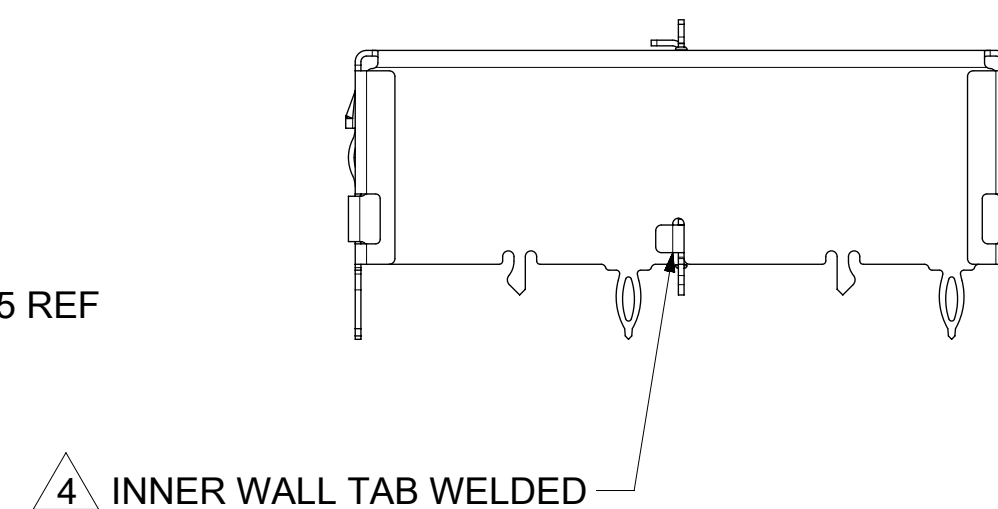
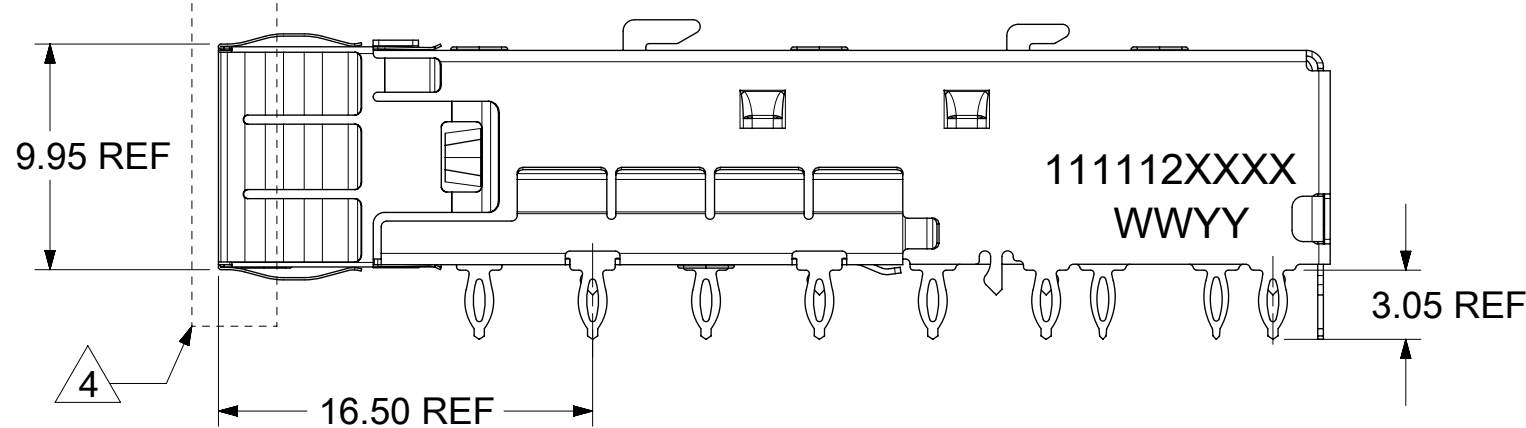
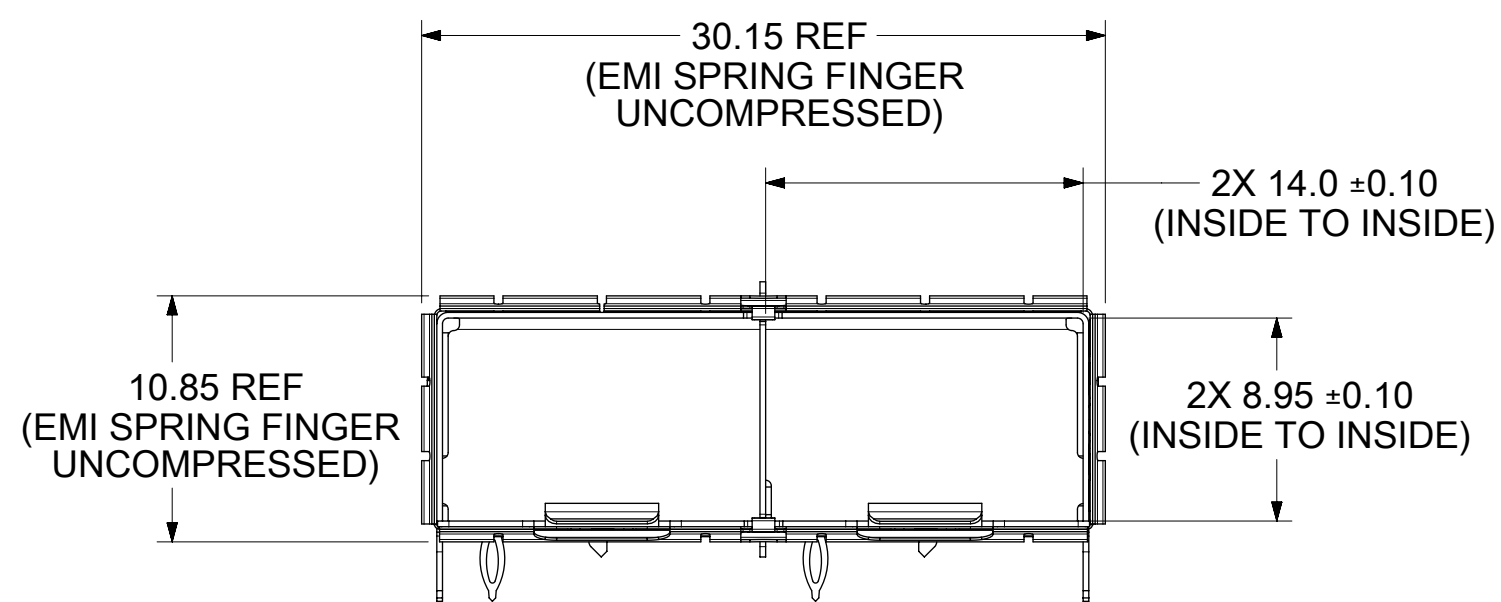
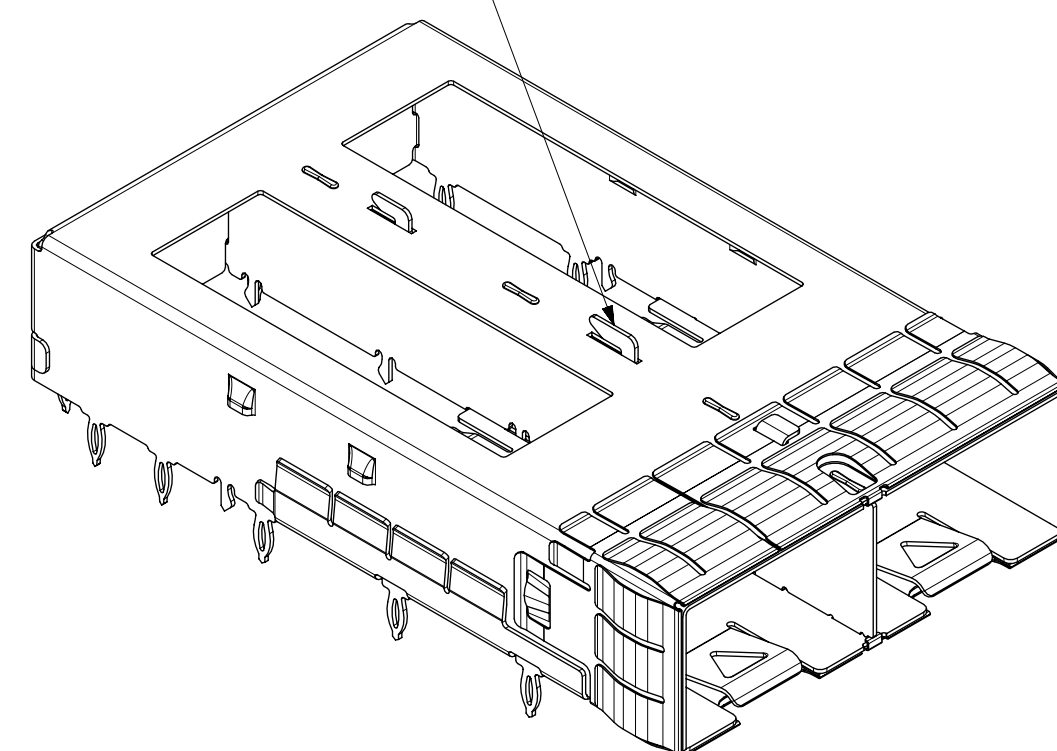
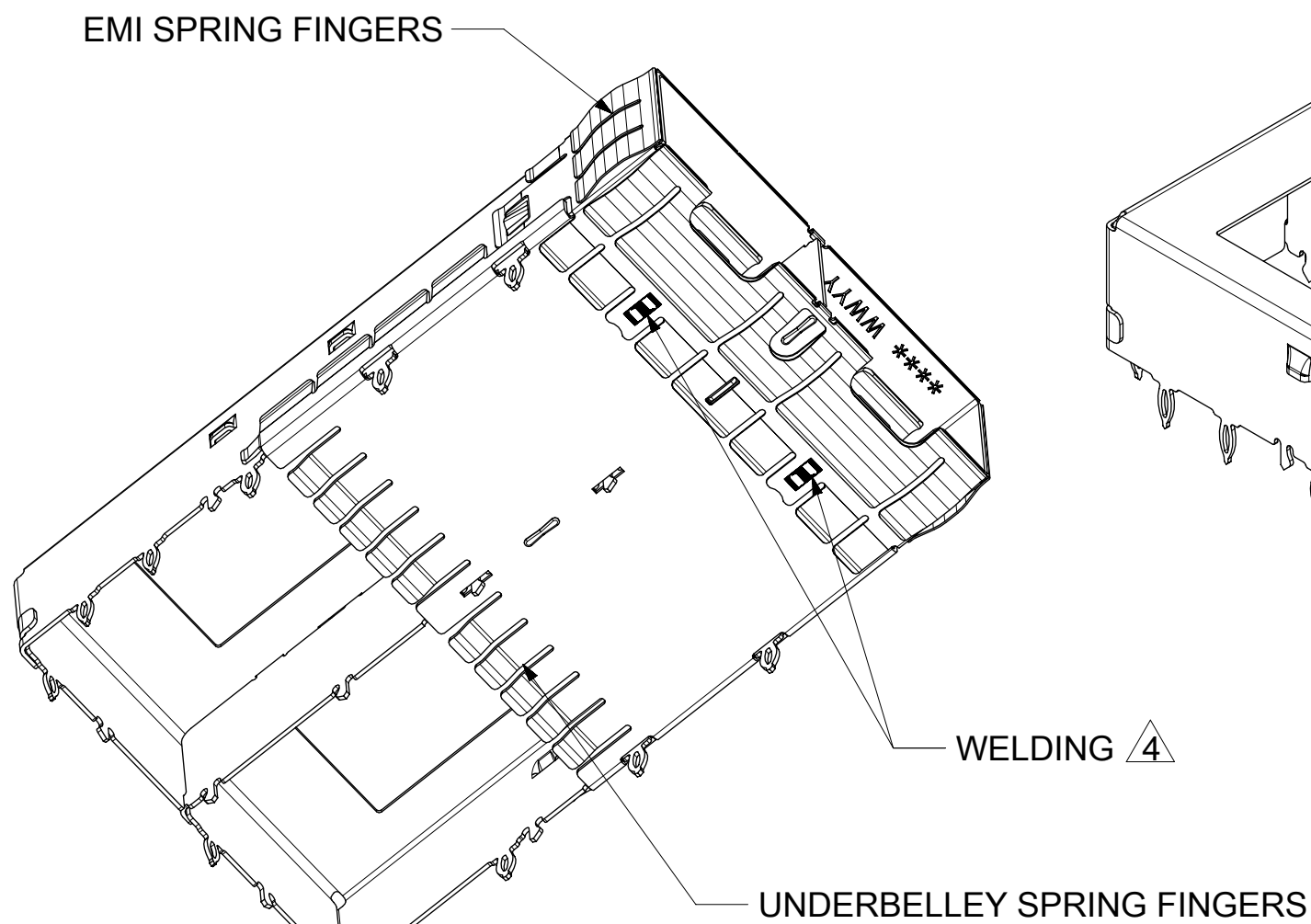
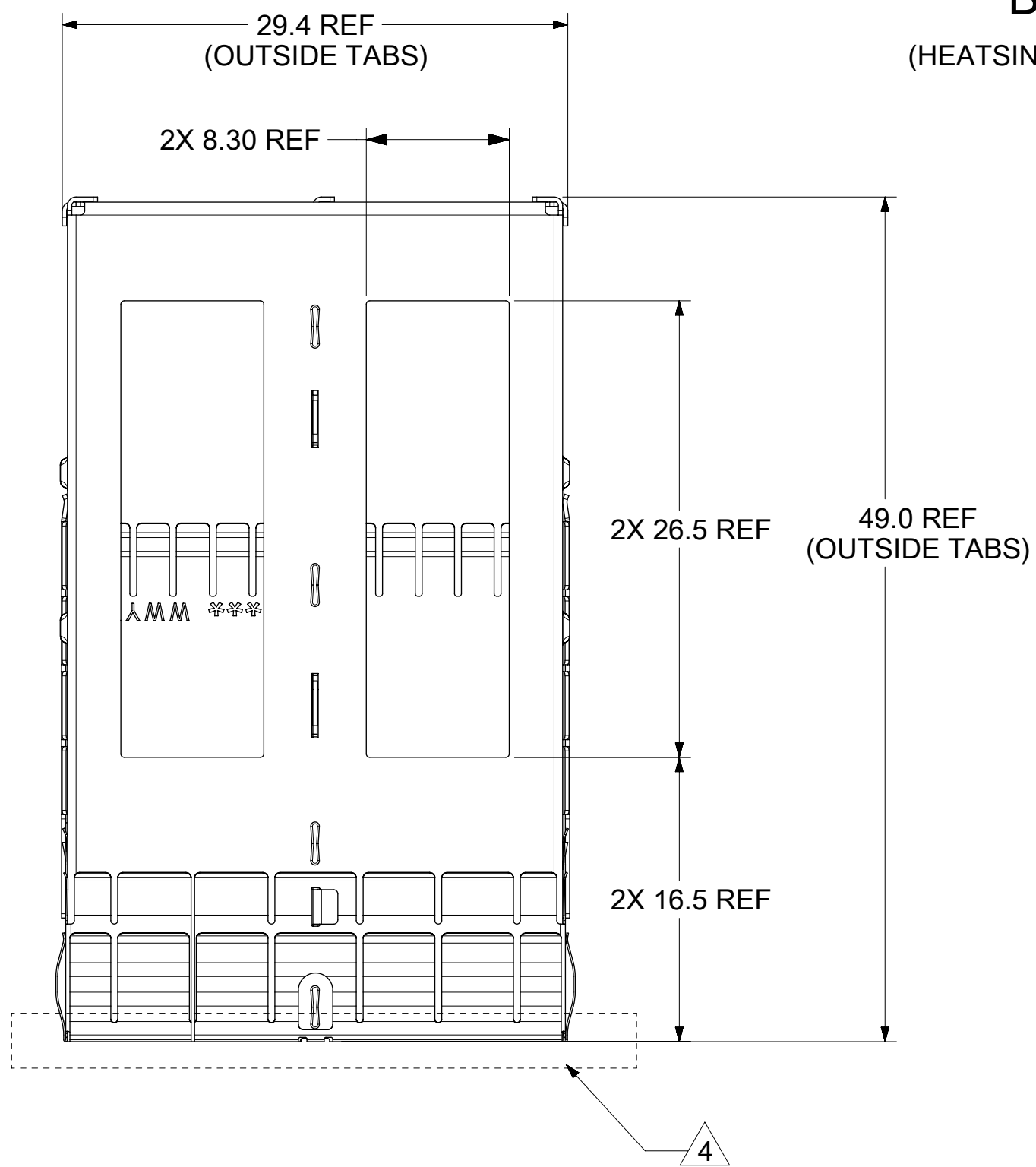


BASE CAGE DETAILS

(HEATSINK AND HS CLIP NOT SHOWN FOR CLARITY)

INNER WALL IS COINED OVER BASE AND COVER FOR EXTRA RIGIDITY



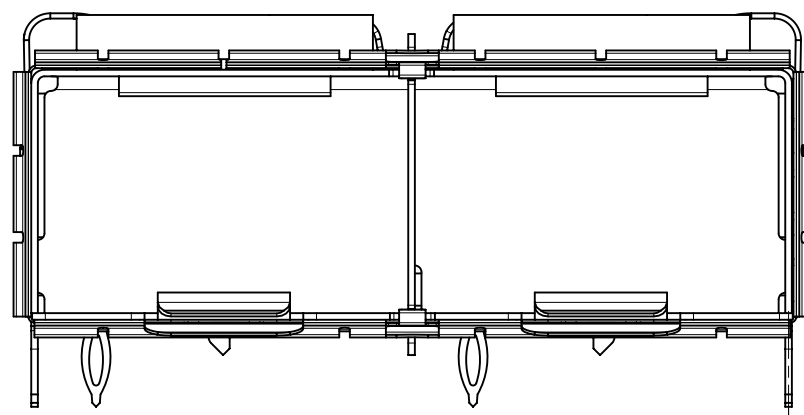
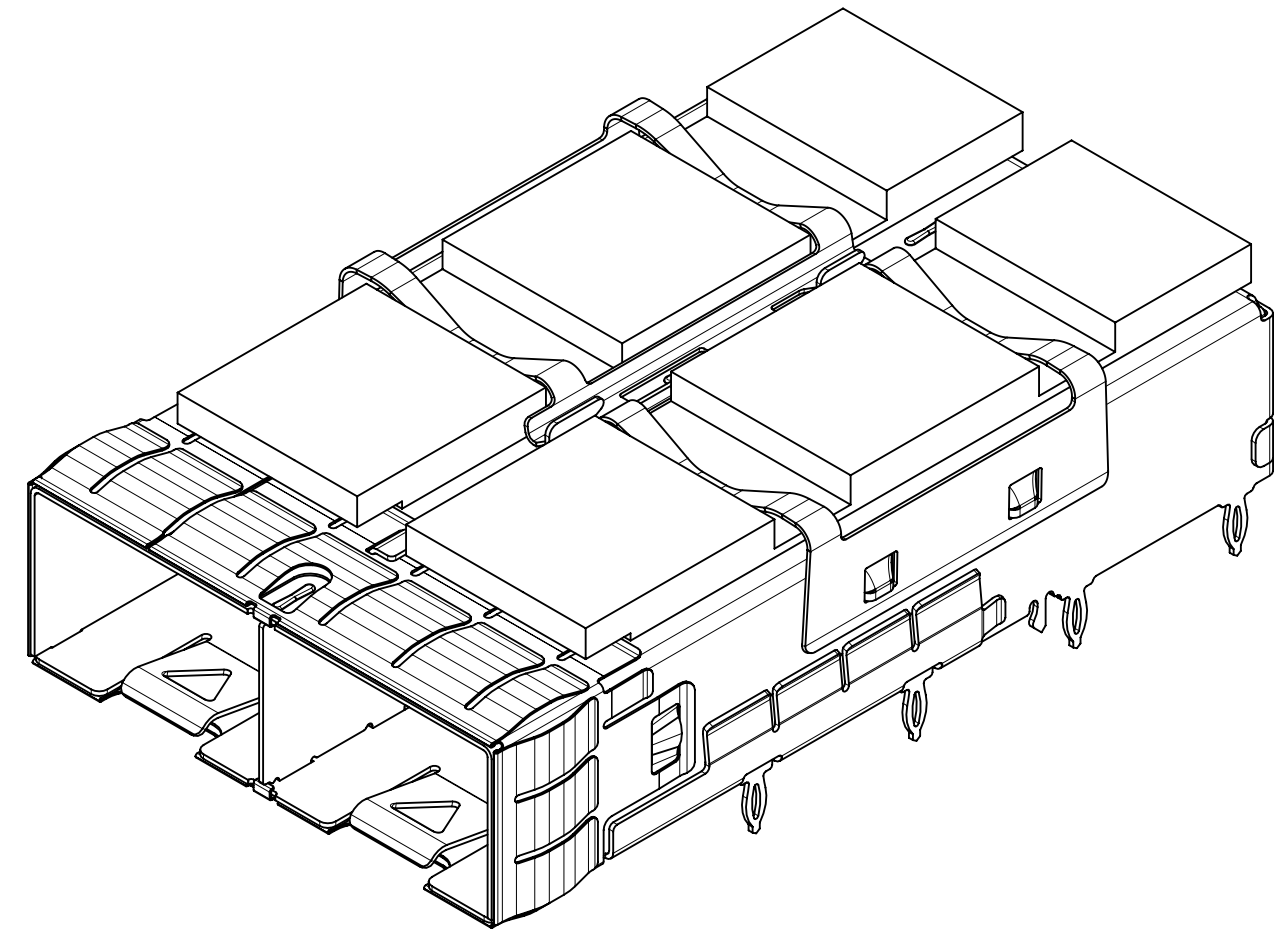
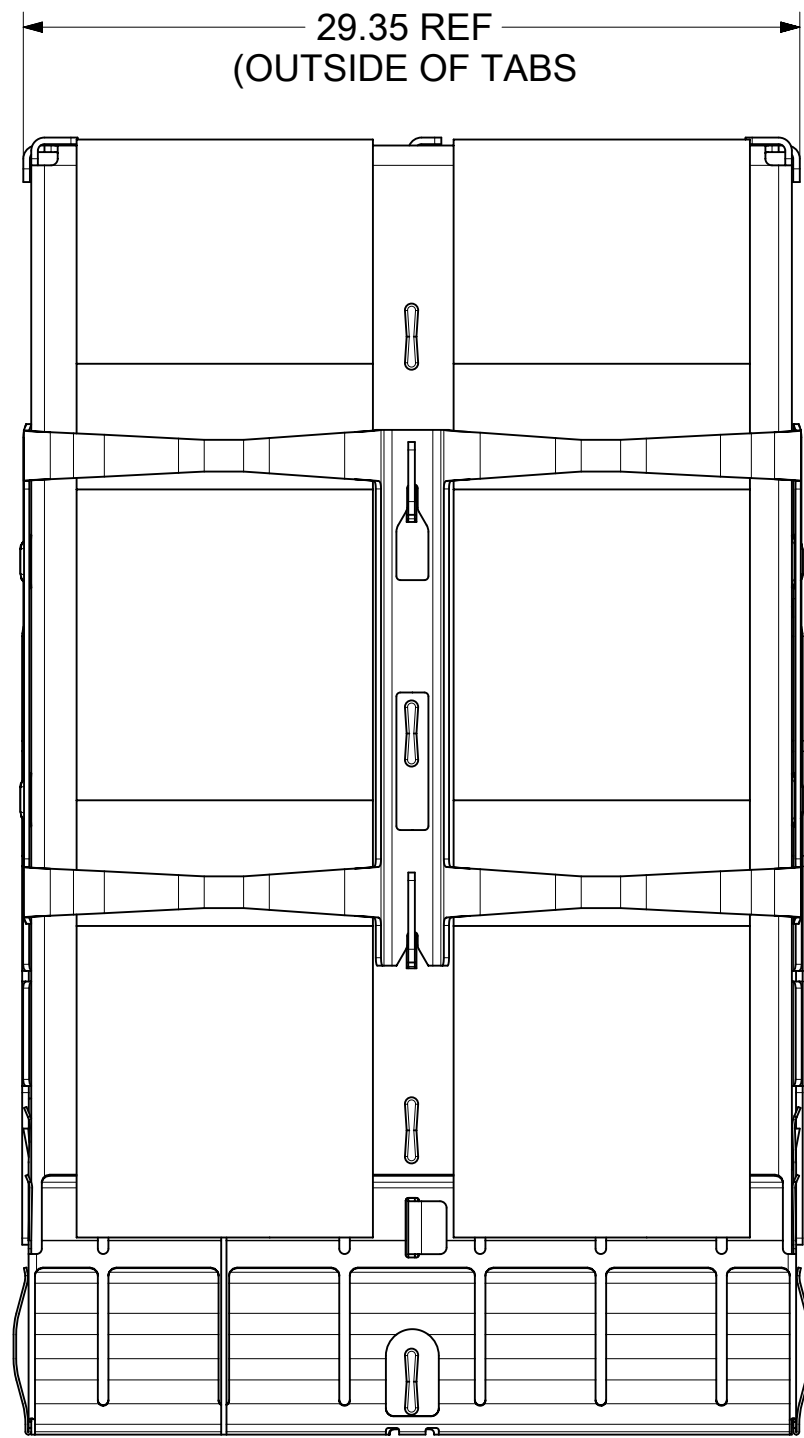
NOTES:

- MATERIAL:**
 CAGE: 0.25mm THICK COPPER ALLOY, NICKEL PLATED.
 SPRING FINGERS: STAINLESS STEEL.
 HEATSINK: ALUMINUM, BLACK ANODIZED
 HEATSINK SPRING CLIP: STAINLESS STEEL.
- PRESS FIT LEGS: 3.05MM LONG
- PORTS ARE DESIGNED FOR SFP+ TRANSCEIVERS AND ARE COMPATIBLE WITH SFP TRANSCEIVERS. THE TOP SURFACE OF THE MODULE MUST BE FLAT (NO PRODUCT LABEL RECESS) AND THERMALLY CONDUCTIVE TO FUNCTION OPTIMALLY.
- WELD SPOT MAY SHOW SLIGHT MATERIAL DISCOLORATION.
- NO RoHS EXEMPTIONS.

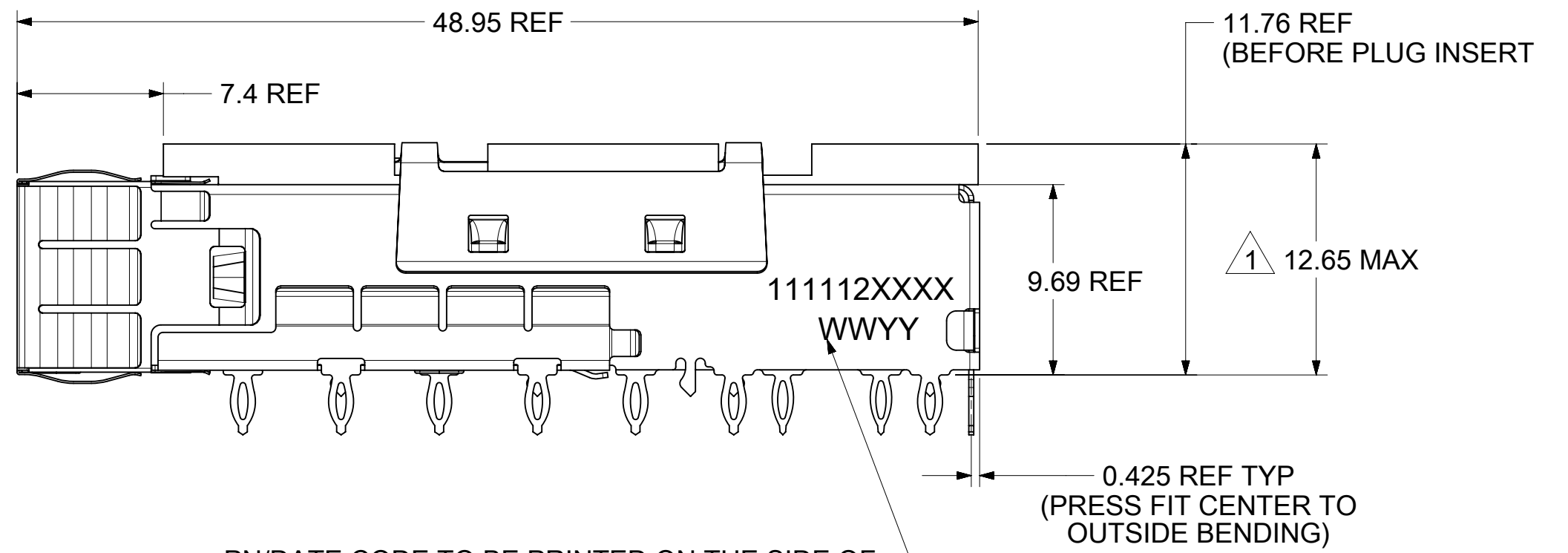
FUNCTIONAL SYMBOLS $\nabla_A = 0$ $\nabla_E = 0$ $\nabla_P = 0$ DIVISIONAL SYMBOLS	THIS DRAWING CONTAINS INFORMATION THAT IS PROPRIETARY TO MOLEX ELECTRONIC TECHNOLOGIES, LLC AND SHOULD NOT BE USED WITHOUT WRITTEN PERMISSION		CURRENT REV DESC: SEE REVISION TABLE	
	DIMENSION UNITS	SCALE		
	mm	3:1		
	GENERAL TOLERANCES (UNLESS SPECIFIED)			
ANGULAR TOL ± 1.0°		EC NO: 707058		
4 PLACES ±		DRWN: PKH	2022/04/13	
3 PLACES ±		CHK'D: TKUMARKC	2022/05/24	
2 PLACES ± 0.15		APPR: SCHIEN	2022/05/27	
1 PLACE ± 0.25		INITIAL REVISION:		
0 PLACES ±		DRWN: PKH	2022/04/13	
		APPR: SCHIEN	2022/05/27	
DRAFT WHERE APPLICABLE MUST REMAIN WITHIN DIMENSIONS		THIRD ANGLE PROJECTION	DRAWING	SERIES
			C-SIZE	111112
		DOCUMENT NUMBER		DOC TYPE DOC PART REVISION
		111128274		PSD ASY A
		MATERIAL NUMBER	CUSTOMER	SHEET NUMBER
		111128274		1 OF 5

DOCUMENT STATUS	P1	RELEASE DATE	2022/05/27 09:56:14
-----------------	----	--------------	---------------------

CAGE ASSEMBLY WITH HEAT SINK



0.825 REF TYP
(PRESS FIT CENTER TO
SPRING FINGER TIP)



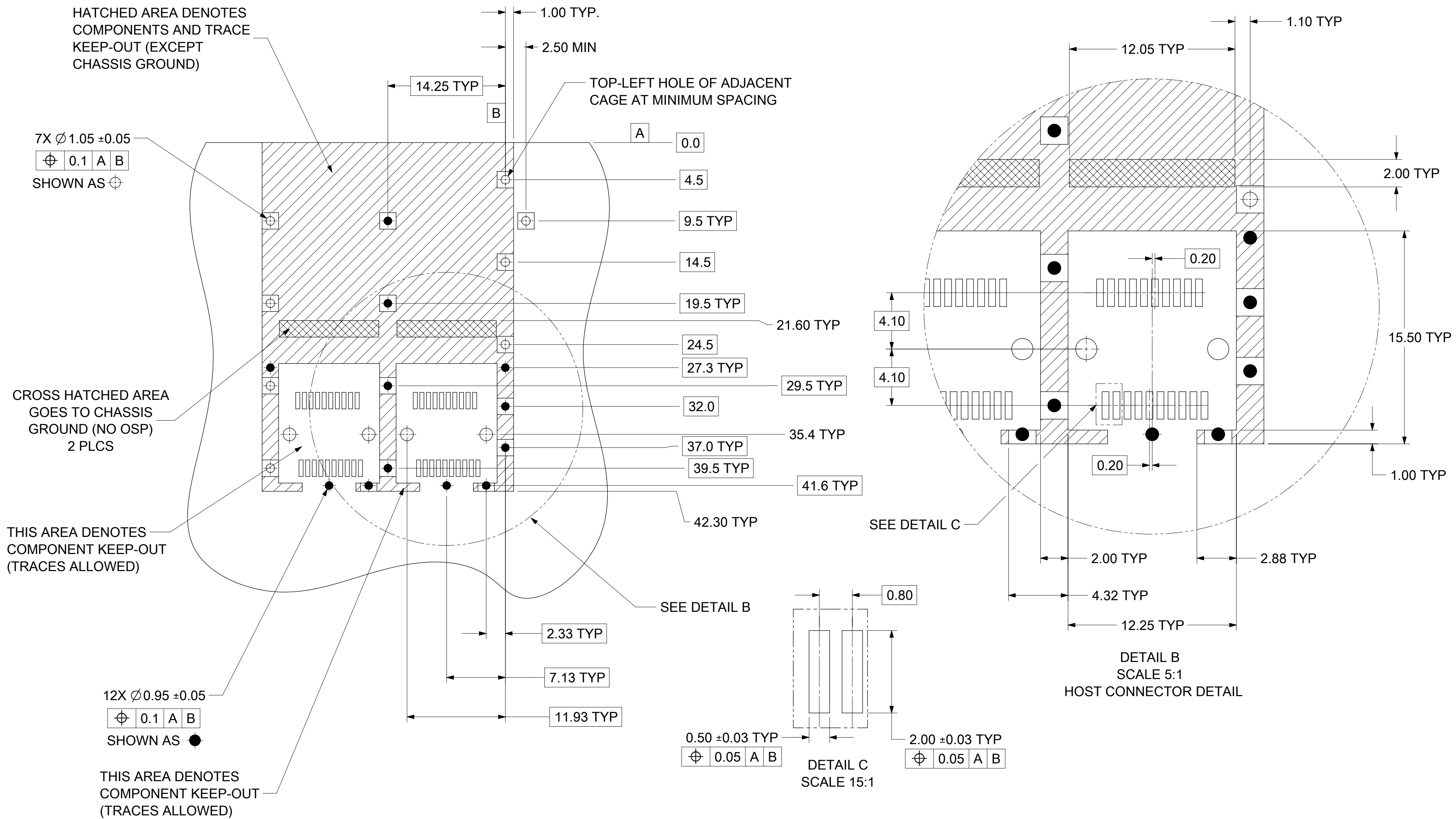
PN/DATE CODE TO BE PRINTED ON THE SIDE OF
COMPLETED CAGE ASSEMBLY APPROXIMATELY AS SHOWN.

WEEK/YEAR DATE CODE TABLE	
WW	01 THRU 52 OR 53 EXAMPLE: 01 = FIRST WEEK OF YEAR 52 = LAST WEEK OF YEAR
YY	22, 23, 24 ETC. EXAMPLE: YEAR 2022 = 22

NOTE:-
1. HEIGHT OF HEATSINK WITH MODULE INSERTED DIMENSION MAY BE LESS DUE TO MODULE AND HEATSINK VARIATIONS.

FUNCTIONAL SYMBOLS		THIS DRAWING CONTAINS INFORMATION THAT IS PROPRIETARY TO MOLEX ELECTRONIC TECHNOLOGIES, LLC AND SHOULD NOT BE USED WITHOUT WRITTEN PERMISSION		CURRENT REV DESC: SEE REVISION TABLE		
$\nabla_A = 0$	mm	SCALE	3:1	molex 1X2 SFP+ CAGE WITH CUSTOM HS, PRESS FIT TYPE SUS SPRING FINGER		
$\nabla_E = 0$	GENERAL TOLERANCES (UNLESS SPECIFIED)		EC NO: 707058 DRWN: PKH 2022/04/13			
$\nabla_P = 0$	ANGULAR TOL $\pm 1.0^\circ$		CHK'D: TKUMARKC 2022/05/24 APPR: SCHIEN 2022/05/27			
DIVISIONAL SYMBOLS		4 PLACES \pm		PRODUCT CUSTOMER DRAWING		
		3 PLACES \pm		DOCUMENT NUMBER		
		2 PLACES ± 0.15		111128274		
		1 PLACE ± 0.25		DOC TYPE DOC PART REVISION		
		0 PLACES \pm		PSD ASY A		
DRAFT WHERE APPLICABLE MUST REMAIN WITHIN DIMENSIONS		THIRD ANGLE PROJECTION	DRAWING	SERIES	MATERIAL NUMBER	
			C-SIZE	111112	111128274	
					CUSTOMER	
					SHEET NUMBER	
					2 OF 5	

PCB LAYOUT - SINGLE SIDE ONLY



- NOTES:
1. PADS AND VIAS CONNECT TO CHASSIS GROUND (RECOMMEND PADS TO BE 2.00mm SQUARE)
 2. RECOMMENDED THRU HOLE PLATING INCLUDES HASL, OSP, OR IMMERSION (GOLD, SILVER, OR TIN).
 3. CONNECTOR PAD LAYOUT PER SFP+ MSA WILL ACCOMMODATE MOLEX CONNECTOR SERIES 7441 OR EQUIVALENT.
 4. HOLE PATTERN REPEATS FOR EACH PORT. SPACING BETWEEN PORTS IS 14.25mm.
 5. MIN PCB THICKNESS FOR SINGLE SIDED USE: 1.57mm.

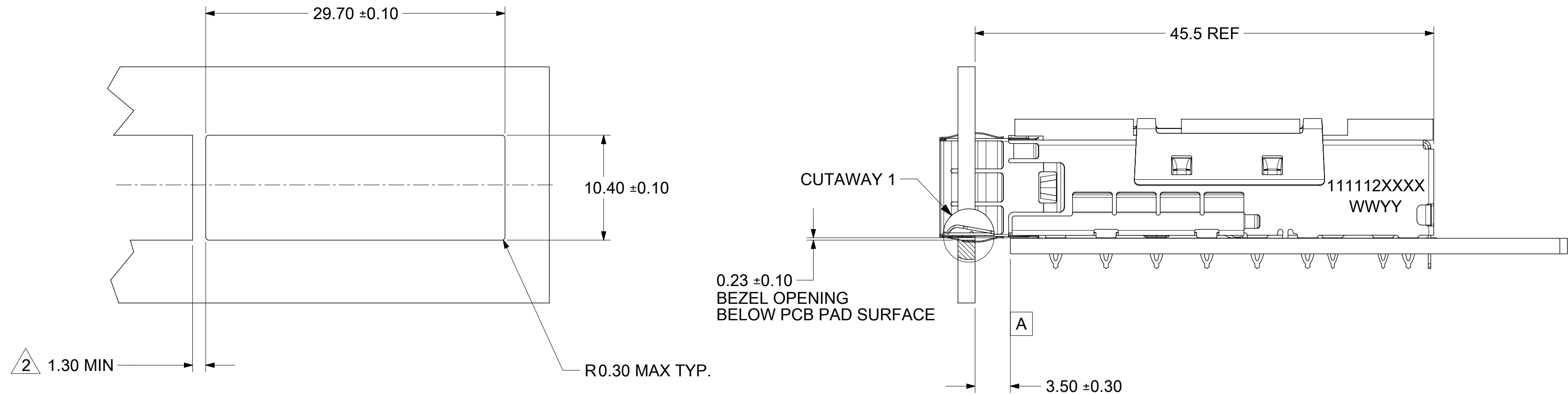
FUNCTIONAL SYMBOLS	THIS DRAWING CONTAINS INFORMATION THAT IS PROPRIETARY TO MOLEX ELECTRONIC TECHNOLOGIES, LLC AND SHOULD NOT BE USED WITHOUT WRITTEN PERMISSION		CURRENT REV DESC: SEE REVISION TABLE	
	DIMENSION UNITS	SCALE		
$\nabla_A = 0$	mm	3:1		
$\nabla_C = 0$	GENERAL TOLERANCES (UNLESS SPECIFIED)			
$\nabla_P = 0$	ANGULAR TOL $\pm 1.0^\circ$			
DIVISIONAL SYMBOLS	4 PLACES	\pm	EC NO: 707058	2022/04/13
	3 PLACES	\pm	DRWN: PKH	2022/05/24
	2 PLACES	± 0.15	CHK'D: TKUMARKC	2022/05/27
	1 PLACE	± 0.25	APPR: SCHIEN	
0 PLACES	\pm	INITIAL REVISION:		
DRAFT WHERE APPLICABLE MUST REMAIN WITHIN DIMENSIONS		THIRD ANGLE PROJECTION	DRAWING	SERIES
			C-SIZE	111112
DOCUMENT STATUS		P1	RELEASE DATE	2022/05/27 09:56:14
DOCUMENT NUMBER		111128274		DOC TYPE
MATERIAL NUMBER		111128274		DOC PART
CUSTOMER				REVISION
SHEET NUMBER		3 OF 5		A

molex

1X2 SFP+ CAGE WITH CUSTOM HS,
 PRESS FIT TYPE SUS SPRING FINGER

PRODUCT CUSTOMER DRAWING

BEZEL AND BOARD POSITION DIMENSIONS FOR SINGLE SIDE MOUNTING



NOTE:
 1. PCB THICKNESS VARIATION MUST BE CONSIDERED WHEN DETERMINING BEZEL OPENING LOCATION.
 2. THIS DIM IS FOR REF ONLY USER CAN MODIFY IT DEPENDING ON APPLICATION, HOLE OF ADJACENT CAGE ON PCB LAYOUT VARIES BASED ON MODIFICTAION.

FUNCTIONAL SYMBOLS	THIS DRAWING CONTAINS INFORMATION THAT IS PROPRIETARY TO MOLEX ELECTRONIC TECHNOLOGIES, LLC AND SHOULD NOT BE USED WITHOUT WRITTEN PERMISSION														
	DIMENSION UNITS	SCALE	CURRENT REV DESC: SEE REVISION TABLE							molex					
$\frac{F}{A} = 0$	mm	3:1	EC NO: 707058									1X2 SFP+ CAGE WITH CUSTOM HS, PRESS FIT TYPE SUS SPRING FINGER			
$\frac{F}{C} = 0$	GENERAL TOLERANCES (UNLESS SPECIFIED)		DRWN: PKH 2022/04/13							PRODUCT CUSTOMER DRAWING					
$\frac{F}{P} = 0$	ANGULAR TOL ± 1.0°		CHK'D: TKUMARKC 2022/05/24							DOCUMENT NUMBER					
DIVISIONAL SYMBOLS	4 PLACES ±		APPR: SCHIEN 2022/05/27							DOC TYPE					
	3 PLACES ±		INITIAL REVISION:							DOC PART					
	2 PLACES ± 0.15		DRWN: PKH 2022/04/13							REVISION					
	1 PLACE ± 0.25		APPR: SCHIEN 2022/05/27							1111128274					
0 PLACES ±		DRAFT WHERE APPLICABLE MUST REMAIN WITHIN DIMENSIONS		THIRD ANGLE PROJECTION		DRAWING		SERIES		MATERIAL NUMBER		CUSTOMER		SHEET NUMBER	
				C-SIZE		111112		1111128274				4 OF 5			

REV	DATE	DESCRIPTION
A	2022/05/24	INITIAL RELEASE

FUNCTIONAL SYMBOLS $\nabla_A = 0$ $\nabla_C = 0$ $\nabla_P = 0$ DIVISIONAL SYMBOLS 3 PLACES \pm 2 PLACES \pm 0.15 1 PLACE \pm 0.25 0 PLACES \pm DRAFT WHERE APPLICABLE MUST REMAIN WITHIN DIMENSIONS	THIS DRAWING CONTAINS INFORMATION THAT IS PROPRIETARY TO MOLEX ELECTRONIC TECHNOLOGIES, LLC AND SHOULD NOT BE USED WITHOUT WRITTEN PERMISSION			
	DIMENSION UNITS	SCALE	CURRENT REV DESC: SEE REVISION TABLE	
	mm	3:1	EC NO: 707058	
	GENERAL TOLERANCES (UNLESS SPECIFIED)		DRWN: PKH	2022/04/13
	ANGULAR TOL \pm 1.0°	4 PLACES \pm	CHK'D: TKUMARKC	2022/05/24
		APPR: SCHIEN	2022/05/27	
		INITIAL REVISION:		
		DRWN: PKH	2022/04/13	
		APPR: SCHIEN	2022/05/27	
		THIRD ANGLE PROJECTION		
		DRAWING	SERIES	
		C-SIZE	111112	
		MATERIAL NUMBER	CUSTOMER	
		1111128274		
		DOCUMENT NUMBER	DOC TYPE DOC PART REVISION	
		1111128274	PSD ASY A	
		PRODUCT CUSTOMER DRAWING		
		SHEET NUMBER		
		5 OF 5		



1X2 SFP+ CAGE WITH CUSTOM HS,
PRESS FIT TYPE SUS SPRING FINGER

PRODUCT CUSTOMER DRAWING