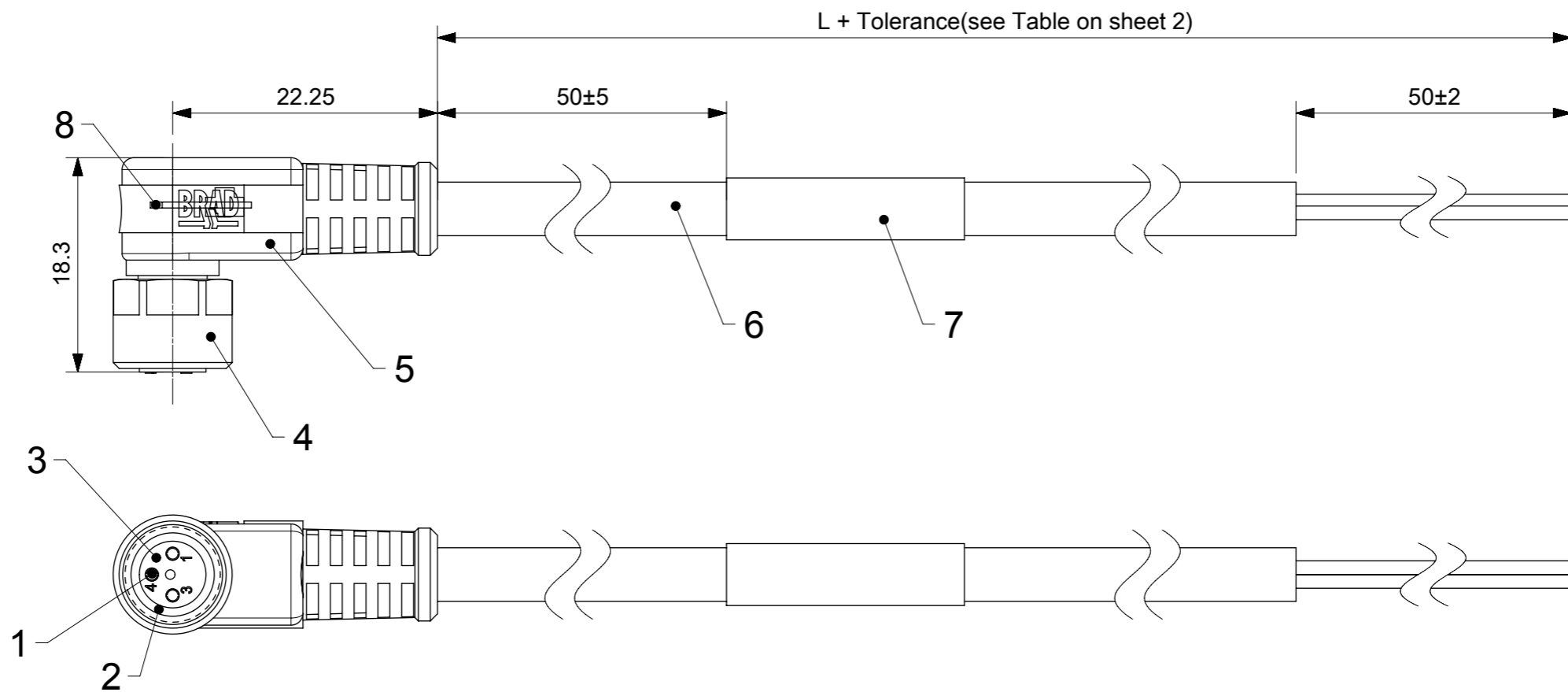
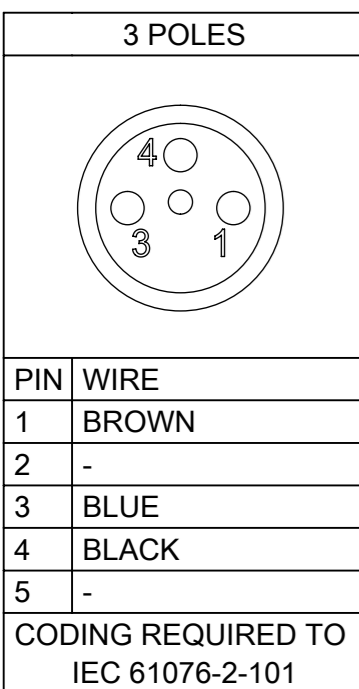


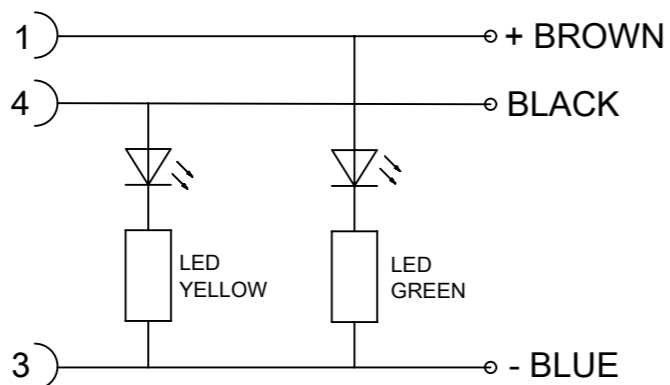
FEMALE PLUG M8 90° ANGLED PNP LED



CONTACT POSITION FRONT VIEW:



PNP WIRING



BILL OF MATERIALS

ITEM	QTY.	DESCRIPTION	MATERIAL	FINISH
8	1	PCB PNP	---	---
7	1	LABEL YELLOW	VINYL	---
6	-	CABLE	SEE SHEET 2	---
5	-	OVERMOULDING TRANSPARENT	TPU	---
4	1	COUPLING NUT FEMALE	BRASS	NICKEL
3	1	INSERT FEMALE BLACK	PUR	---
2	1	ORING RED	FPM	---
1	3	CONTACT M8 FEMALE	BRASS	SELECTIVE GOLD OVER NICKEL

THIS DRAWING CONTAINS INFORMATION THAT IS PROPRIETARY TO MOLEX ELECTRONIC TECHNOLOGIES, LLC AND SHOULD NOT BE USED WITHOUT WRITTEN PERMISSION

QUALITY SYMBOLS FA = 0 FE = 0 FB = 0 FV = 0 FC = 0 FX = 0 FS = 0 FT = 0	EC NO.: 105100 DRWN: APAWLAK01 CHK'D: MIWASIECZKO APPR: MIWASIECZKO	2016/05/18 2016/05/20 2016/05/20	GENERAL TOLERANCES (UNLESS SPECIFIED) ANGULAR TOL ± 1.0 ° 4 PLACES ± 3 PLACES ± 2 PLACES ± 0.05 1 PLACE ± 0.1 0 PLACES ± 0.2	DIMENSION UNITS: mm SCALE: 2:1 DRWN BY: APAWLAK01 DATE: 2016/05/18 CHK'D BY: DATE: APPR BY: MIWASIECZKO DATE: 2016/05/20	
	DRAFT WHERE APPLICABLE MUST REMAIN WITHIN DIMENSIONS			DRAWING SIZE: A3 THIRD ANGLE PROJECTION	CSE M8 PNP 3P FE RA WSOR XM SE BK
	PRODUCT CUSTOMER DRAWING			SERIES: 120086 MATERIAL NUMBER: SEE SHEET 2 CUSTOMER: GENERAL MARKET	DOCUMENT NUMBER: 1200868687 DOC TYPE: PSD DOC PART: 000 SHEET NUMBER: 1 OF 2
	RELEASE STATUS: P1 RELEASE DATE: 2016/05/20 06:35:30				

ENGINEERING NO. - NUMERICAL CODE (Available parts see PART LIST table. Others on request).

4 0 3 0 P 1 B 4 1 X X X X

40 = M8x1
Single ended

Poles:
3 = 3 Poles

Heads style:
0P1 = Plug Female 90°
Angled PNP LED

Cable:
B41 = 0.25mm² TPU Black

Units:
M = Meter

Length
Examples:
005 = 0.5 m
010 = 1 m
020 = 2 m
050 = 5 m
100 = 10 m
150 = 15 m
200 = 20 m

CABLE TYPE	NO. OF WIRES	CROSS SECTION	CABLE JACKET	UL	CSA	STATIC: TEMP. / BENDING RADIUS	DYNAMIC: TEMP. / BENDING RADIUS	DRAG CHAIN	SHIELD
B41	3	0.25mm ²	TPU BLACK	UL STYLE 21215	YES	-40°C to +90°C, 5xD	-25°C to +80°C, 7.5xD	-	-

CABLE LENGTH TOLERANCES		
LENGTH	TOLERANCE	
shorter 1m	+40 mm	-0 mm
1m-5m	+60 mm	-0 mm
5m-10m	+80 mm	-0 mm
10m-20m	+140 mm	-0 mm
20m-30m	+160 mm	-0 mm
longer 30m	+1%	-0 mm

PART LIST

MOLEX PN	ENGINEERING PN	CABLE LENGTH IN METER
1200868687	4030P1B41M010	1m
1200868688	4030P1B41M020	2m
1200868689	4030P1B41M050	5m
1200868690	4030P1B41M100	10m

QUALITY SYMBOLS FA = 0 FE = 0 FP = 0 ▼ = 0 C = 0 ⊗ = 0 ■ = 0 ∇ = 0	THIS DRAWING CONTAINS INFORMATION THAT IS PROPRIETARY TO MOLEX ELECTRONIC TECHNOLOGIES, LLC AND SHOULD NOT BE USED WITHOUT WRITTEN PERMISSION										
	EC NO: 105100 DRWN: APAWLAK01 CHK'D: MIWASIECZKO REV APPR: MIWASIECZKO	2016/05/18		2016/05/20		2016/05/20		GENERAL TOLERANCES (UNLESS SPECIFIED)		DIMENSION UNITS	SCALE
		ANGULAR TOL ± 1.0 °		4 PLACES ±		3 PLACES ±		2 PLACES ± 0.05		mm	1:1
		1 PLACE ± 0.1		0 PLACES ± 0.2		APAWLAK01		DATE		APAWLAK01 2016/05/18	
		DRAFT WHERE APPLICABLE MUST REMAIN WITHIN DIMENSIONS		A3		MIWASIECZKO		DATE		MIWASIECZKO 2016/05/20	
		THIRD ANGLE PROJECTION		A3		DRAWING SIZE		THIRD ANGLE PROJECTION		A3	
	molex®										
	CSE M8 PNP 3P FE RA WSOR XM SE BK										
	PRODUCT CUSTOMER DRAWING										
	SERIES		MATERIAL NUMBER			CUSTOMER					
120086		SEE TABLE			GENERAL MARKET						
DOCUMENT NUMBER				DOC TYPE		DOC PART		SHEET NUMBER			
1200868687				PSD		000		2 OF 2			