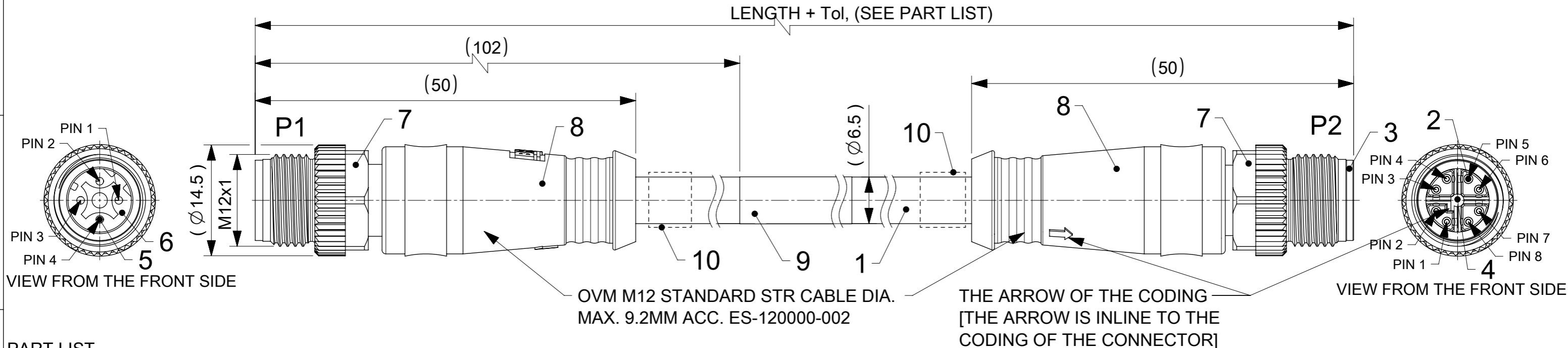
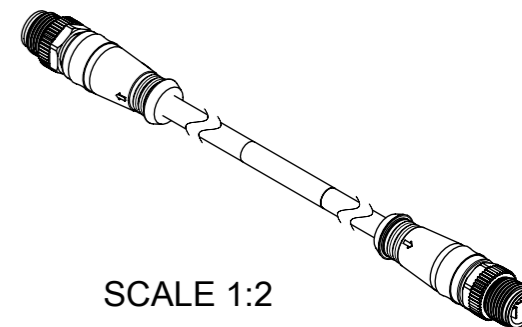


PART No MATRIX

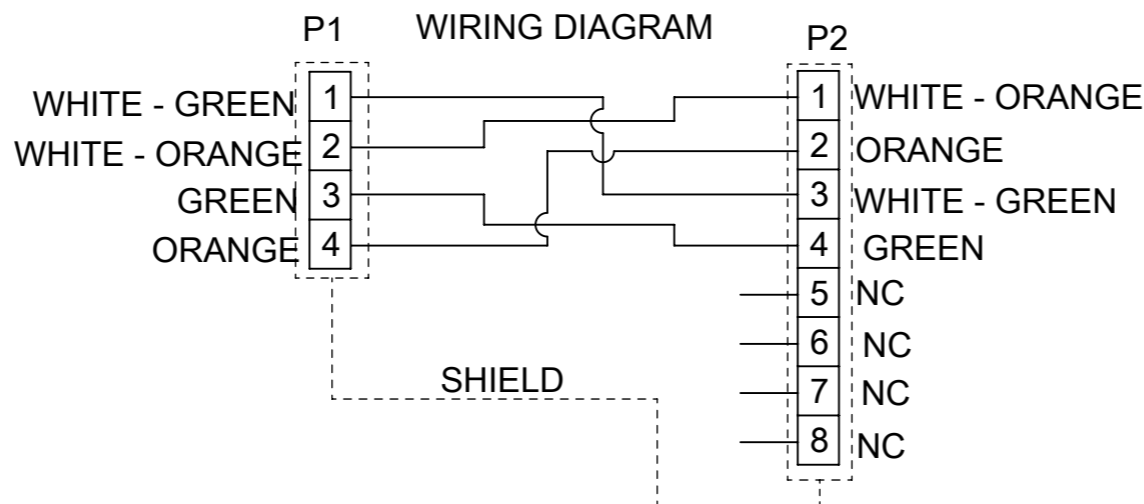
E **1** **2** **A** **0** **6** **0** **1** **6** **M** **X** **X** **X** **X**

E=ETHERNET
 HEADS
 1 = M12 D-Coding
 1 = M12 X-Coding
 HEADS STYLE:
 060 = MALE STR / MALE STR
 WIRING TYPE:
 A=4 Pole
 (STRAIGHT WIRED)
 CABLE TYPE
 CABLE 16
 UNITS :
 M= METER
 T=10x METER
 LENGTH EXAMPLES:
 005=0.5
 010=1
 150=15
 OPTIONS
 H=2 PCS. OF I/D Carrier



PART LIST

MOLEX PN	ENGINEERING NO	L+Tol.[mm]
1203410935	E12A06016M010H	1000
1201089012	E12A06016M020H	2000
1201089013	E12A06016M030H	3000
1201089014	E12A06016M040H	4000
1201089015	E12A06016M050H	5000
1201089016	E12A06016M060H	6000
1201089017	E12A06016M070H	7000
1201089018	E12A06016M080H	8000
1204720026	E12A06016M100H	10000
1201089020	E12A06016M120H	12000
1201089021	E12A06016M150H	15000
1201089022	E12A06016M200H	20000
1201089023	E12A06016M250H	25000
1201089024	E12A06016M300H	30000
1201089025	E12A06016M350H	35000
1201089026	E12A06016M400H	40000
1201088942	E12A06016M450H	45000
1201088943	E12A06016M500H	50000
1201088944	E12A06016M550H	55000
1201088945	E12A06016M600H	60000
1201088946	E12A06016M650H	65000
1201089027	E12A06016M700H	70000
1201088947	E12A06016M750H	75000
1201088948	E12A06016M800H	80000



BOM

ITEM	QTY	DESCRIPTION	MATERIAL	FINISH/COLOR
1	-	#24-2-2 WELD SLAG RESIST	TPU	TEAL
2	8	CONTACT PIN (X-CODE)	Cu ALLOY	GOLD OVER Ni-PLATED
3	1	MALE INSERT (X-CODE)	PUR	BLACK
4	1	M12 SHIELDING CROSS SHELL	GD-ZnAl4	Zink - diecast
5	4	CONTACT PIN (D-CODE)	BRONZE	GOLD PLATED
6	1	MALE INSERT (D-CODE)	PUR	BLACK
7	2	COUPLING NUT	BRASS	Ni-PLATED
8	-	MOULDING MATERIAL	TPU	BLACK
9	1	LABEL	VINYL	YELLOW
10	2	I/D CARRIER	PVC	TRANSPARENT

NOTES :
 ELECTRICAL DATA :
 VOLTAGE RATING : 48V
 AMPERAGE RATING : 0.5A
 INSULATION RESISTANCE : 10⁸Ω MIN.
 MATING CYCLES : MIN. 100

ENVIRONMENTAL :
 PROTECTION : IP67 IN MATED AND LOCKED POSITION
 OPERATING TEMPERATURE : -25°C TO +80°C

TABLE 1

LENGTH	TOLERANCE
0m-1m	+40 mm
>1m-5m	+60 mm
>5m-10m	+80 mm
>10m-20m	+140 mm
>20m-30m	+160 mm
>30m	+1% length

FUNCTIONAL SYMBOLS: $\nabla/A = 0$, $\nabla/E = 0$, $\nabla/F = 0$
 DIVISIONAL SYMBOLS: $\nabla/A = 0$, $\nabla/E = 0$, $\nabla/F = 0$

THIS DRAWING CONTAINS INFORMATION THAT IS PROPRIETARY TO MOLEX ELECTRONIC TECHNOLOGIES, LLC AND SHOULD NOT BE USED WITHOUT WRITTEN PERMISSION
 DIMENSION UNITS: mm, SCALE: 1:1
 GENERAL TOLERANCES (UNLESS SPECIFIED):
 ANGULAR TOL ± 1.0°
 4 PLACES ±
 3 PLACES ±
 2 PLACES ± 0.05
 1 PLACE ± 0.3
 0 PLACES ± 0.5
 DRAFT WHERE APPLICABLE MUST REMAIN WITHIN DIMENSIONS

EC NO: 719726
 DRWN: FDAFERNER 2022/08/31
 CHK'D: RSILLER 2022/08/31
 APPR: RSILLER 2022/08/31
 INITIAL REVISION:
 DRWN: MDHARMANTI 2021/08/26
 APPR: RSILLER 2021/09/13

CURRENT REV DESC: DRAWING UPDATE ER20220167

molex
 CSE M12 ETH 4P DC MA STR TPU XC MA XM DE

PRODUCT CUSTOMER DRAWING

DOCUMENT NUMBER: 1201088942, DOC TYPE: PSD, DOC PART: 000, REVISION: A2

THIRD ANGLE PROJECTION, DRAWING: A3-SIZE, SERIES: 120108, MATERIAL NUMBER: SEE PART LIST, CUSTOMER: GENERAL MARKET, SHEET NUMBER: 1 OF 1