

MATERIAL NO.	ENGINEERING NO.	FINISHED LENGTH	POLES	CABLE DIA.
1300630017	C03000A48M010	1 M (3 FT 3.37 IN)	3	0.70 [17.8]
1300630127	C04000A48M750	75 M (246 FT 0.76 IN)	4	0.78 [19.7]
1300630132	C04000A48T130	130 M (426 FT 6.11 IN)	4	0.78 [19.7]

CABLE LENGTH TOLERANCES

<.3M [1FT]: +19mm-0 [+.75in-0]

.3 - .9M [1 - 3FT]: +44.5mm-0 [+1.75in-0]

.9 - 1.8M [3 - 6FT]: +55.6mm-0 [+2.19in-0]

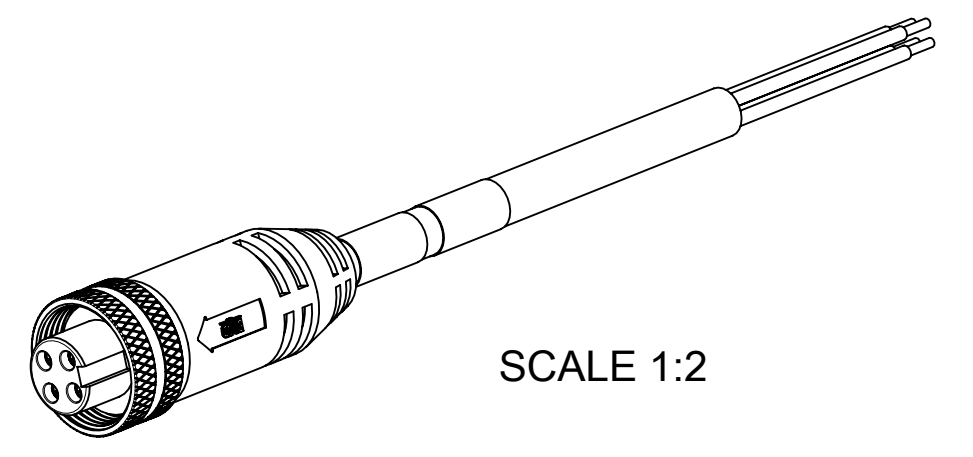
1.8 - 3.7M [6 - 12FT]: +88.9mm-0 [+3.50in-0]

3.7 - 7.3M [12 - 24FT]: +165.1mm-0 [+6.50in-0]

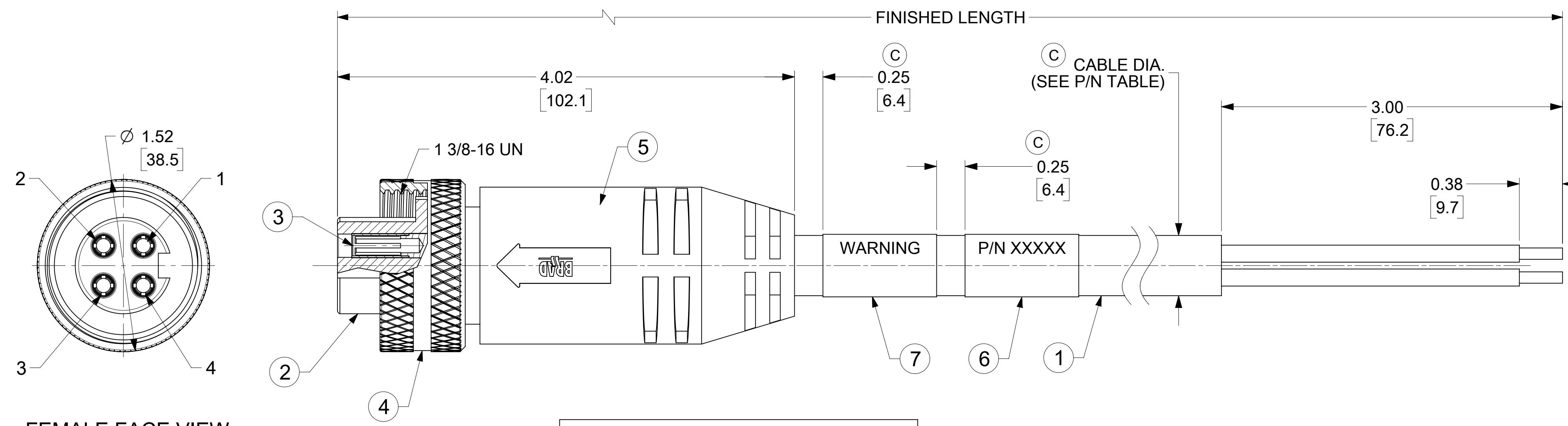
7.3-14.6M [24 - 48FT]: +317.5mm-0 [+12.50in-0]

14.6 - 30.5M [48-100FT]: +622.3mm-0 [+24.50in-0]

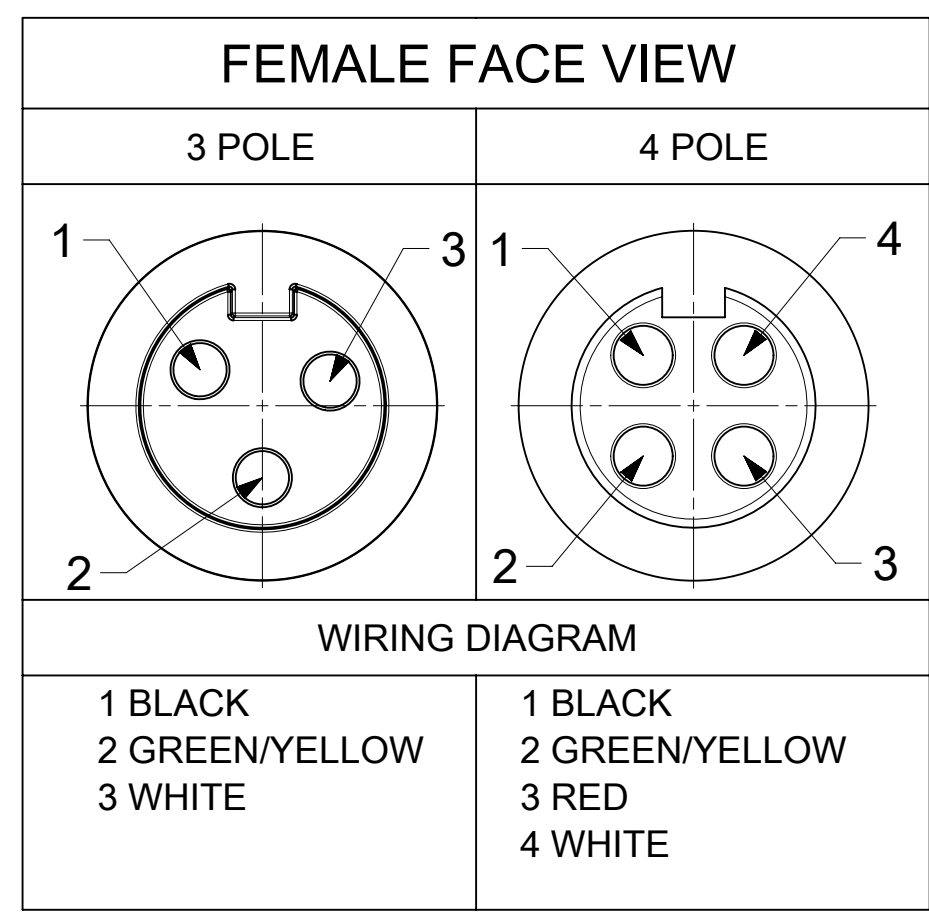
OVER 30M [100FT] +2% OF FINISHED LENGTH



SCALE 1:2



FEMALE FACE VIEW



PART NUMBER LEGEND

C04000A48M750

FINISHED LENGTH
M001 = 0.1 METER
M010 = 1.0 METER
M100 = 10.0 METER
T100 = 100 METER

- NOTES:**
- MATERIAL: AS NOTED
 - FINISH: AS NOTED
 - ELECTRICAL:
VOLTAGE: 630V (3P) / 500V (4P) PER IEC60664
600V PER UL2237
CURRENT: 32A
 - TEMP RATING: -20°C TO +90°C (3P), +105°C (4P)
 - PROTECTION: IP67 (WHEN MATED)
 - UL LISTED FILE: E258922
 - ALL DIMS ARE FOR REFERENCE UNLESS TOLERANCED OR NOTED OTHERWISE

ITEM	DESCRIPTION	MATERIAL	FINISH
7	WARNING LABEL	VINYL	ORANGE/BLACK
6	WRAP LABEL	VINYL	BLACK/YELLOW
5	OVERMOLD	TPE	GRAY
4	COUPLING NUT	ALUMINIUM	CLEAR ANODIZE
3	CONTACT SOCKET	Cu ALLOY	GOLD OVER NICKEL
2	FEMALE INSERT	TPE	BLACK
1	CABLE #10/3-4, TC-ER/STOOW	PVC	GRAY

FUNCTIONAL SYMBOLS				THIS DRAWING CONTAINS INFORMATION THAT IS PROPRIETARY TO MOLEX ELECTRONIC TECHNOLOGIES, LLC AND SHOULD NOT BE USED WITHOUT WRITTEN PERMISSION			
DIMENSION UNITS		SCALE		CURRENT REV DESC: ADDED NOTES, BOM, ITEM #2 & 5 WERE PVC, MATERIAL P/N TABLE & DIMS. CABLE DIA., TOL. CHART AND PART NUMBER LEGEND.			
INCH/MM		1.5:1		EC NO: 711366			
GENERAL TOLERANCES (UNLESS SPECIFIED)				DRWN: VHANDI 2021/09/17			
4 PLACES		±		CHK'D: RSTONE 2022/06/21			
3 PLACES		±		APPR: BWOODMAN 2022/06/24			
2 PLACES		±		INITIAL REVISION:			
1 PLACE		±		DRWN: BRUPERT 2010/01/14			
0 PLACES		±		APPR: JFMURPHY 2010/01/15			
ANGULAR TOL		± 0.5 °		THIRD ANGLE PROJECTION			
DRAFT WHERE APPLICABLE MUST REMAIN WITHIN DIMENSIONS				DRAWING		SERIES	
				C-SIZE		130063	
DOCUMENT STATUS				DOCUMENT NUMBER			
P1 RELEASE DATE 2022/06/24 12:55:25				SD-130063-089			
				MATERIAL NUMBER		CUSTOMER	
				SEE TABLE		GENERAL MARKET	
				DOC TYPE		DOC PART	
				PSD		001	
				REVISION		C	
				SHEET NUMBER		1 OF 1	