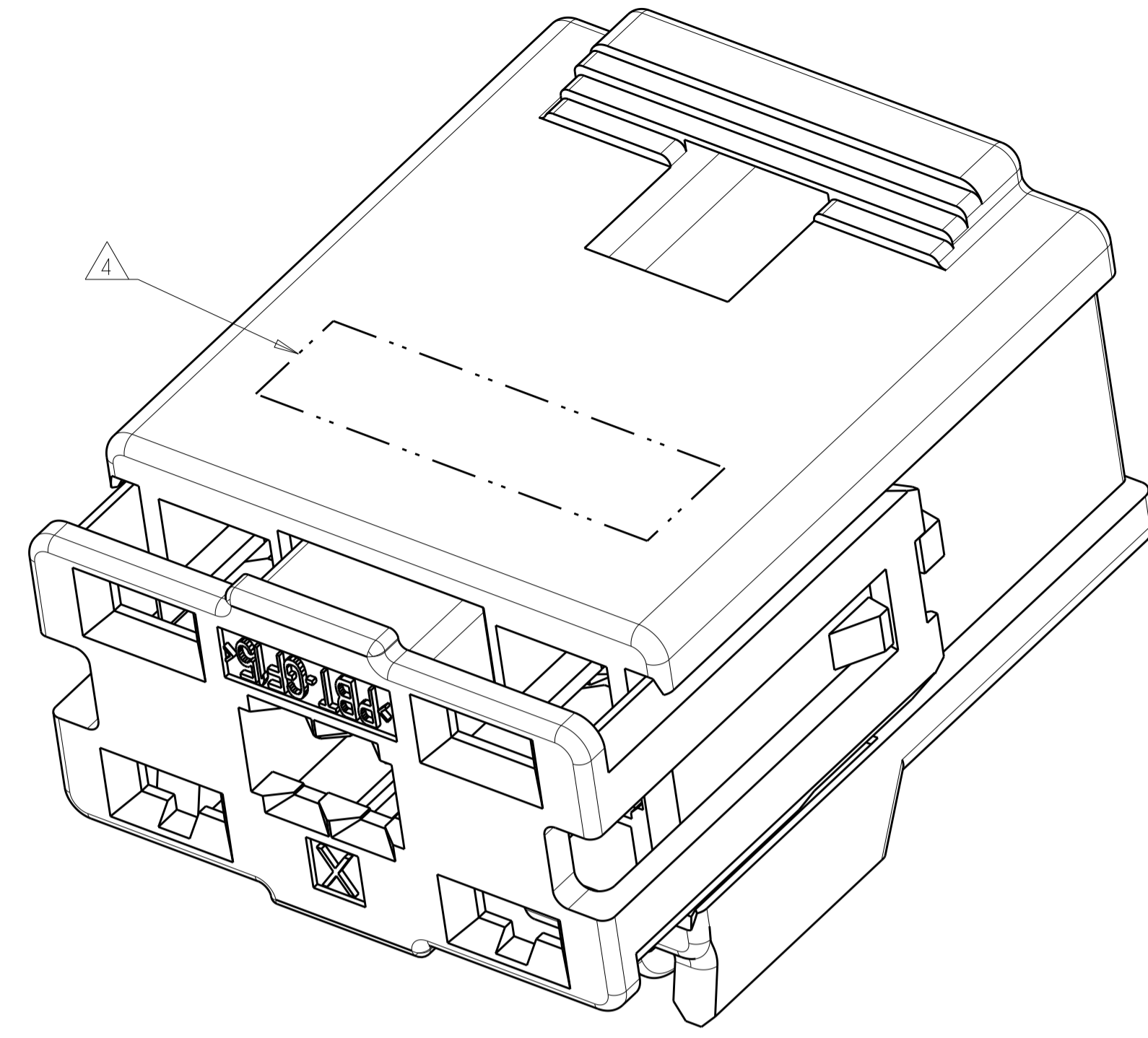
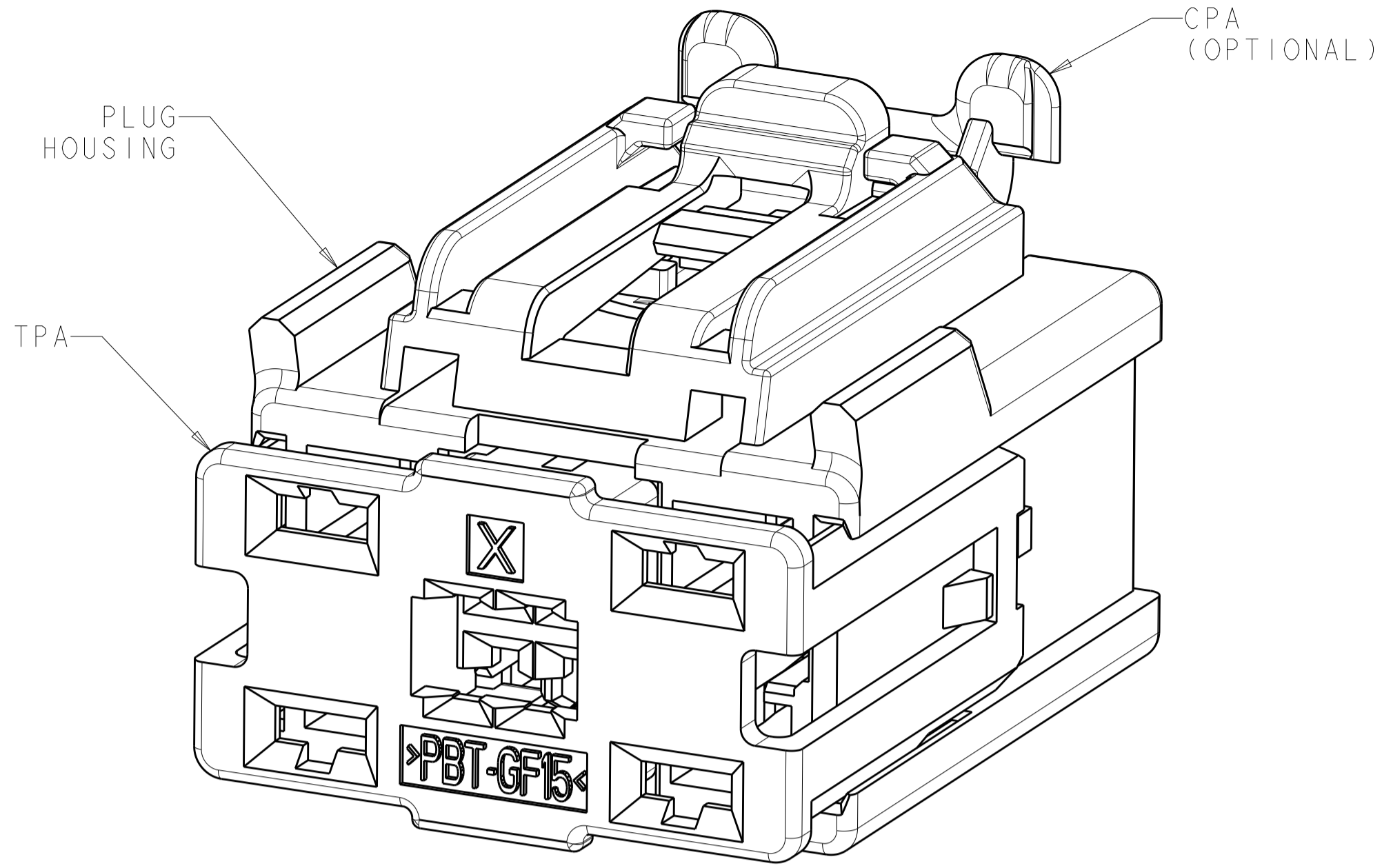
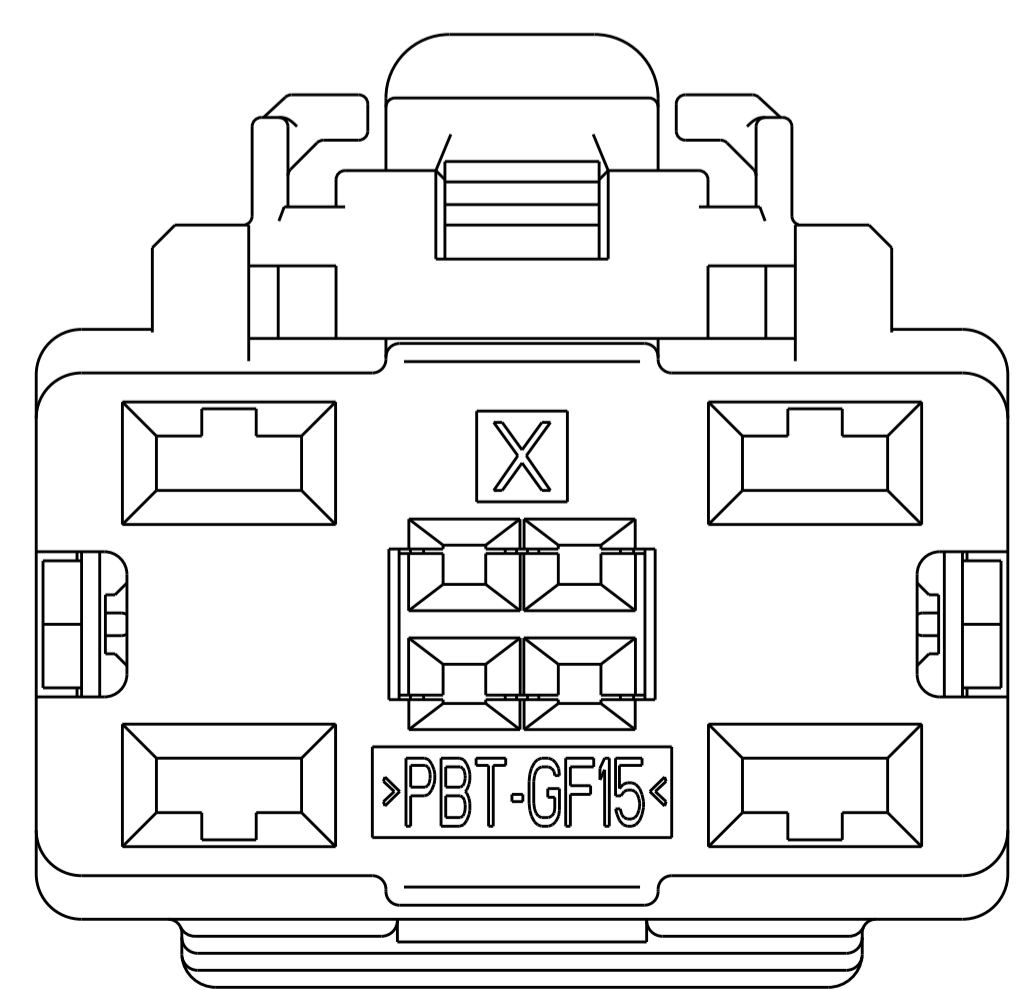
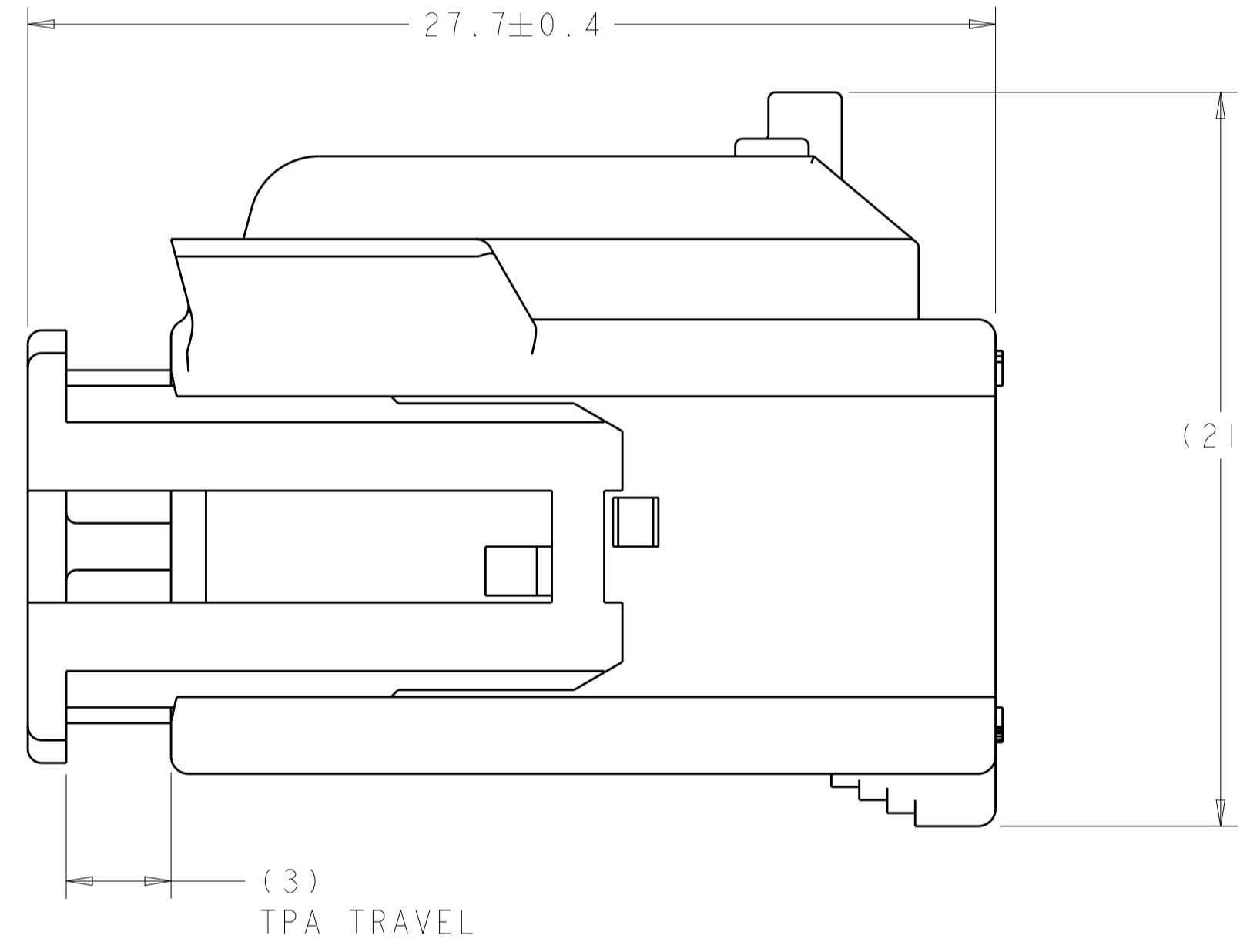
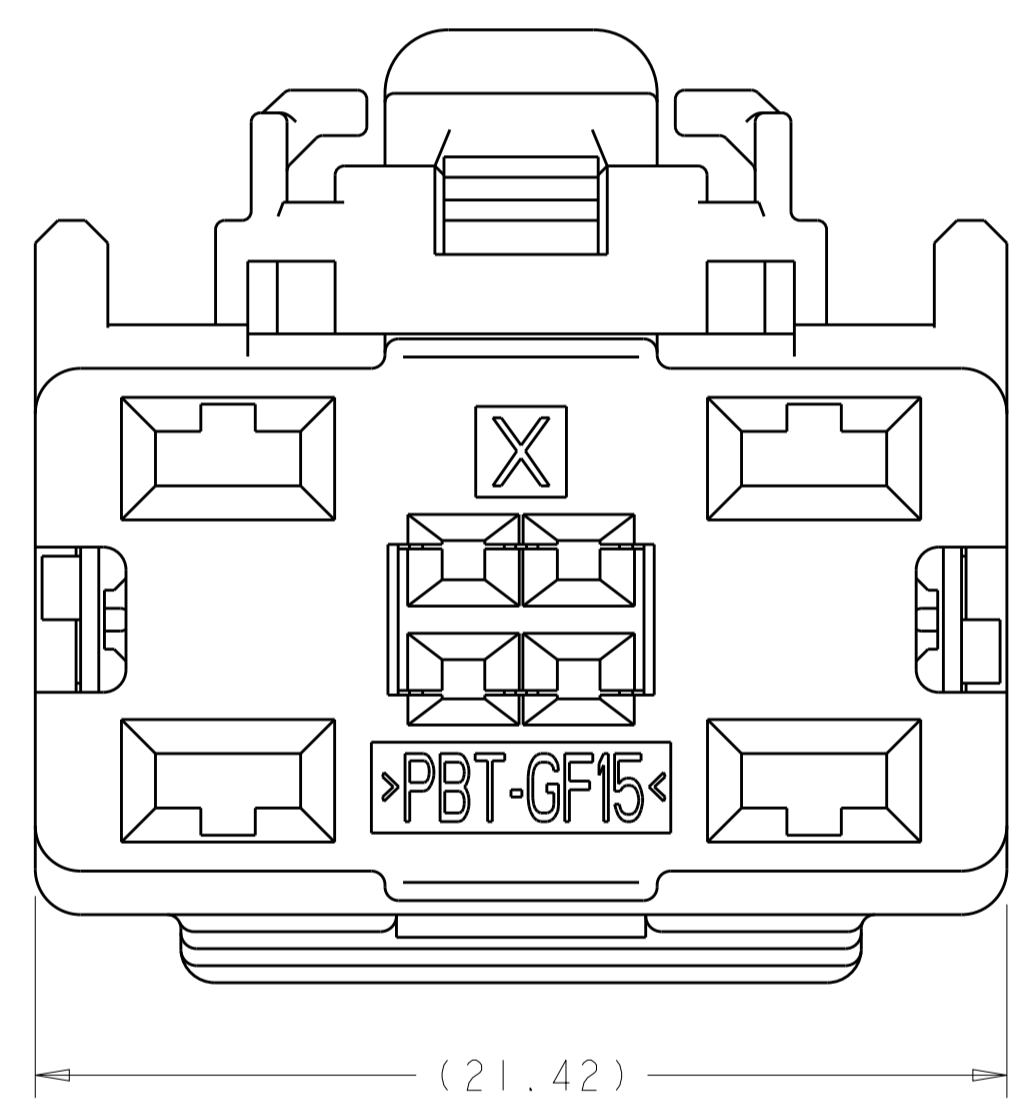


LOC	DIST	REVISIONS					
		P.	LTN	DESCRIPTION	DATE	OWN	APVD
IN	00	A1		RELEASED PER ECO-07-006875	23JAN2008	AJV	AJV
		A2		REVISED PER ECO-11-011498	06JUN2011	DLD	CJS
		A3		REVISED PER ECO-13-000026	07JAN2013	DLD	CJS
		A4		REVISED PER ECO-13-005761	05APR2013	DLD	CJS

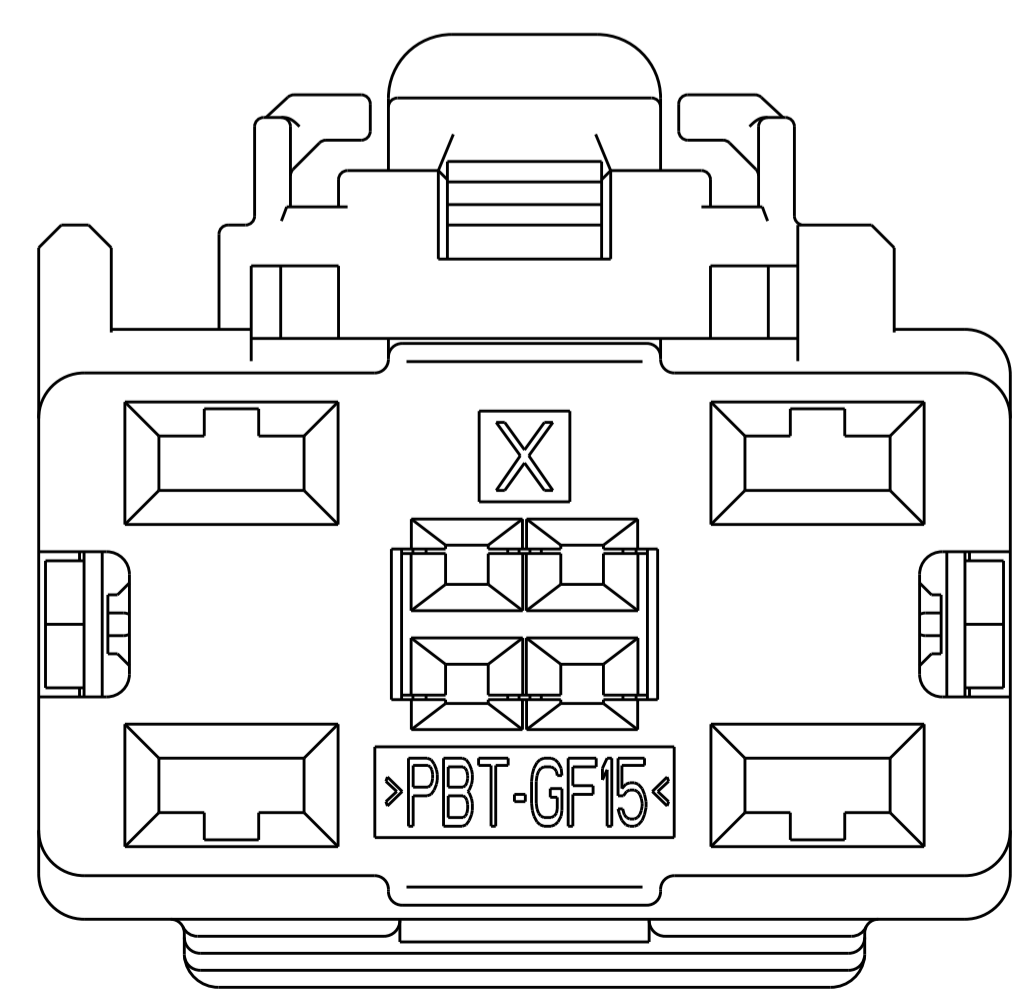


- MATERIAL:
 PLUG HOUSING: NYLON 35% GLASS FILLED, COLOR - SEE TABLE
 TPA: PBT 15% GLASS FILLED, COLOR - NATURAL
 CPA (OPTIONAL): PBT 20% GLASS FILLED, COLOR - RED
- TPA SHOWN IN SHIPPING POSITION.
- OPTIONAL CPA AVAILABLE.
- MARK DATE CODE IN APPROXIMATE LOCATION.
- MATING RECEPTACLES:
 1326030 TIN PLATING, 2.8 CONTACT
 1924955 TIN PLATING, 0.64 CONTACT

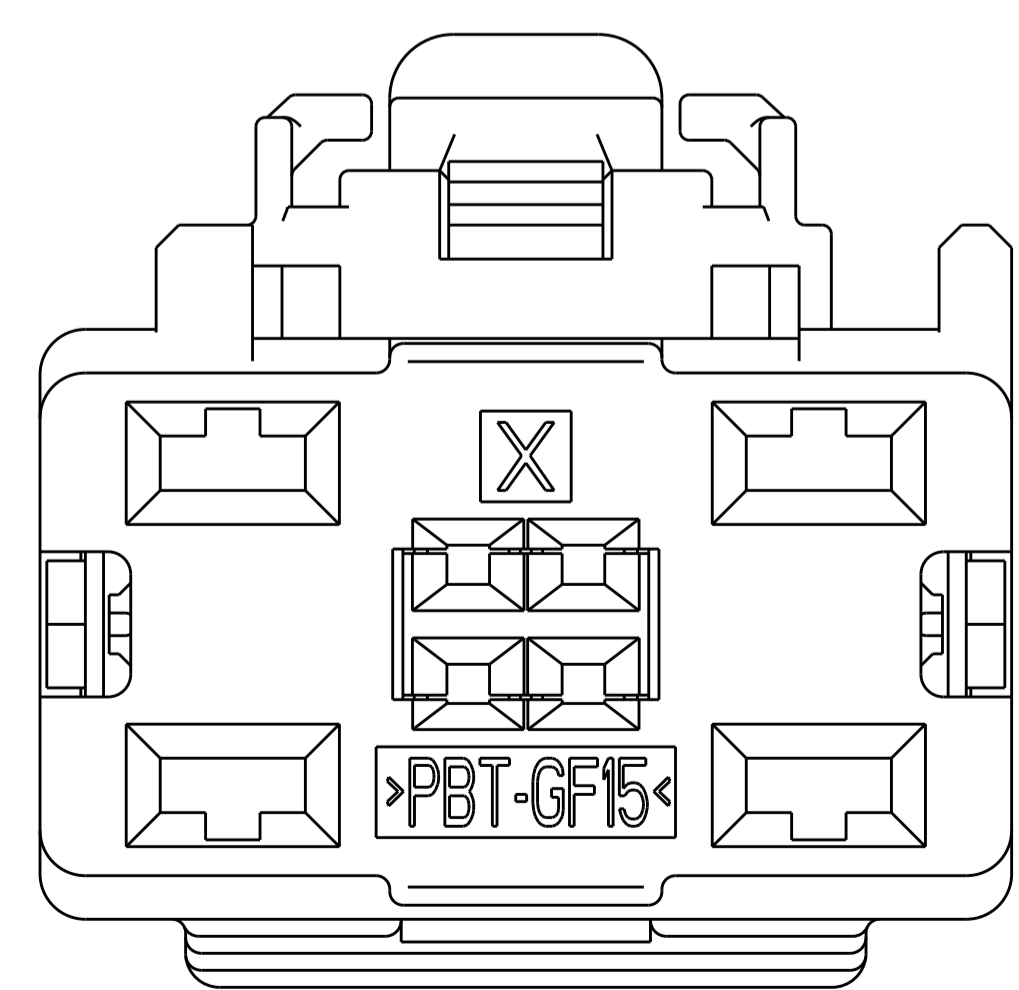
TPA SHOWN IN SHIPPING POSITION WITH OPTIONAL CPA SHOWN



KEYING OPTION "B"
1456471-2



KEYING OPTION "C"
1456471-3



KEYING OPTION "D"
1456471-4

YES	D	GRAY	1456471-8
YES	C	BLACK	1456471-7
YES	B	GRAY	1456471-6
YES	A	BLACK	1456471-5
NO	D	GRAY	1456471-4
NO	C	BLACK	1456471-3
NO	B	GRAY	1456471-2
NO	A	BLACK	1456471-1
CPA	KEYING OPTION	KEYING OPTION	TE PART NUMBER

THIS DRAWING IS A CONTROLLED DOCUMENT.

OWN: M. HITCHCOCK 16MAY2006
 CHK: A. VASBINDER 16MAY2006
 APVD: A. VASBINDER 16MAY2006

DIMENSIONS: mm
 TOLERANCES UNLESS OTHERWISE SPECIFIED:
 0 PLC ±
 1 PLC ±0.3
 2 PLC ±0.10
 3 PLC ±
 4 PLC ±
 ANGLES ±

MATERIAL: - FINISH: - WEIGHT: -

Customer Drawing

NAME: PLUG ASSEMBLY, 8-WAY UNSEALED HYBRID (4-0.64mm, 4-2.8mm)
 SIZE: A1 CAGE CODE: 100779 DRAWING NO: 1456471 RESTRICTED TO: -
 SCALE: 6:1 SHEET 1 OF 1 REV: A4

TE Connectivity