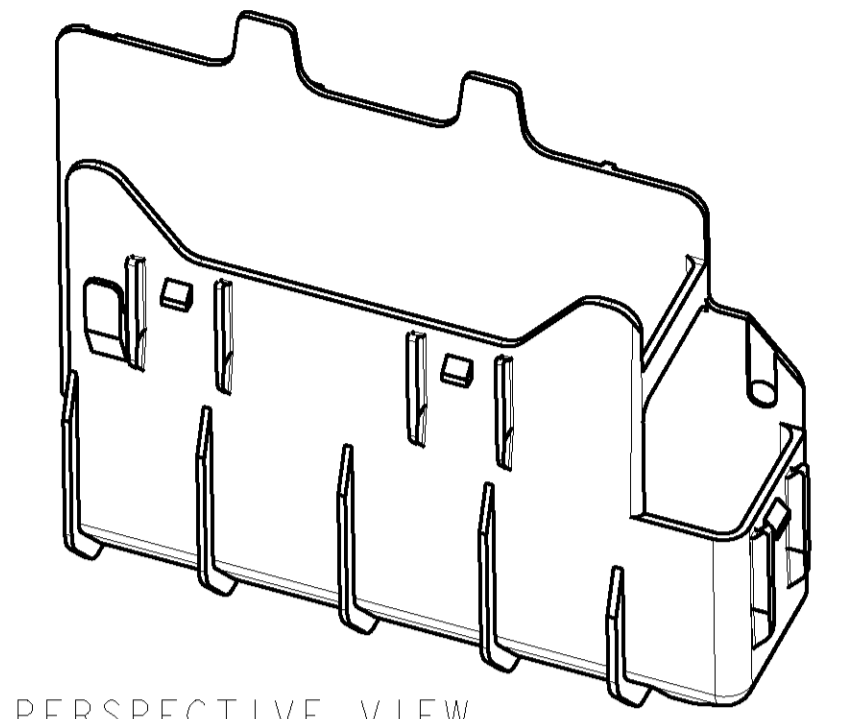
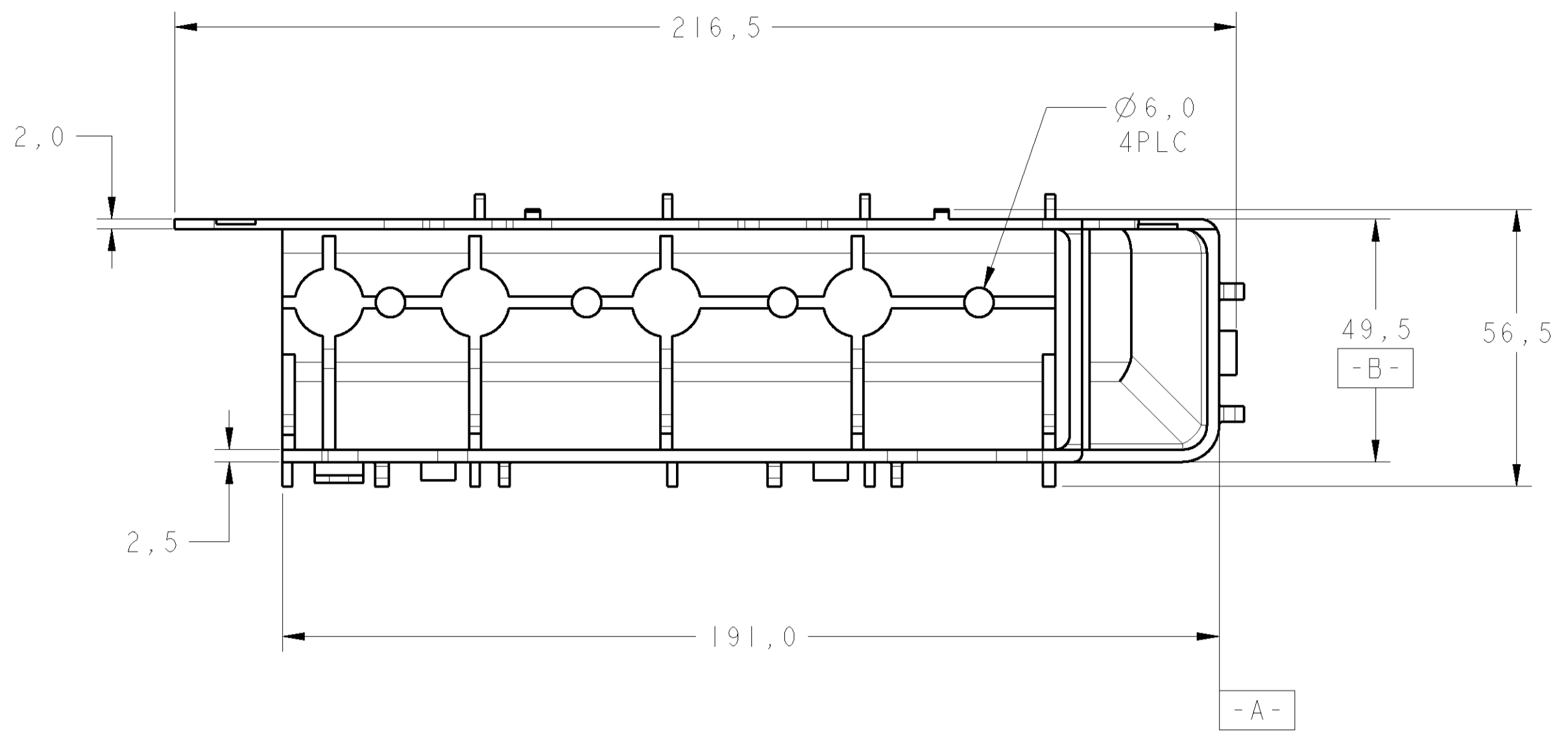


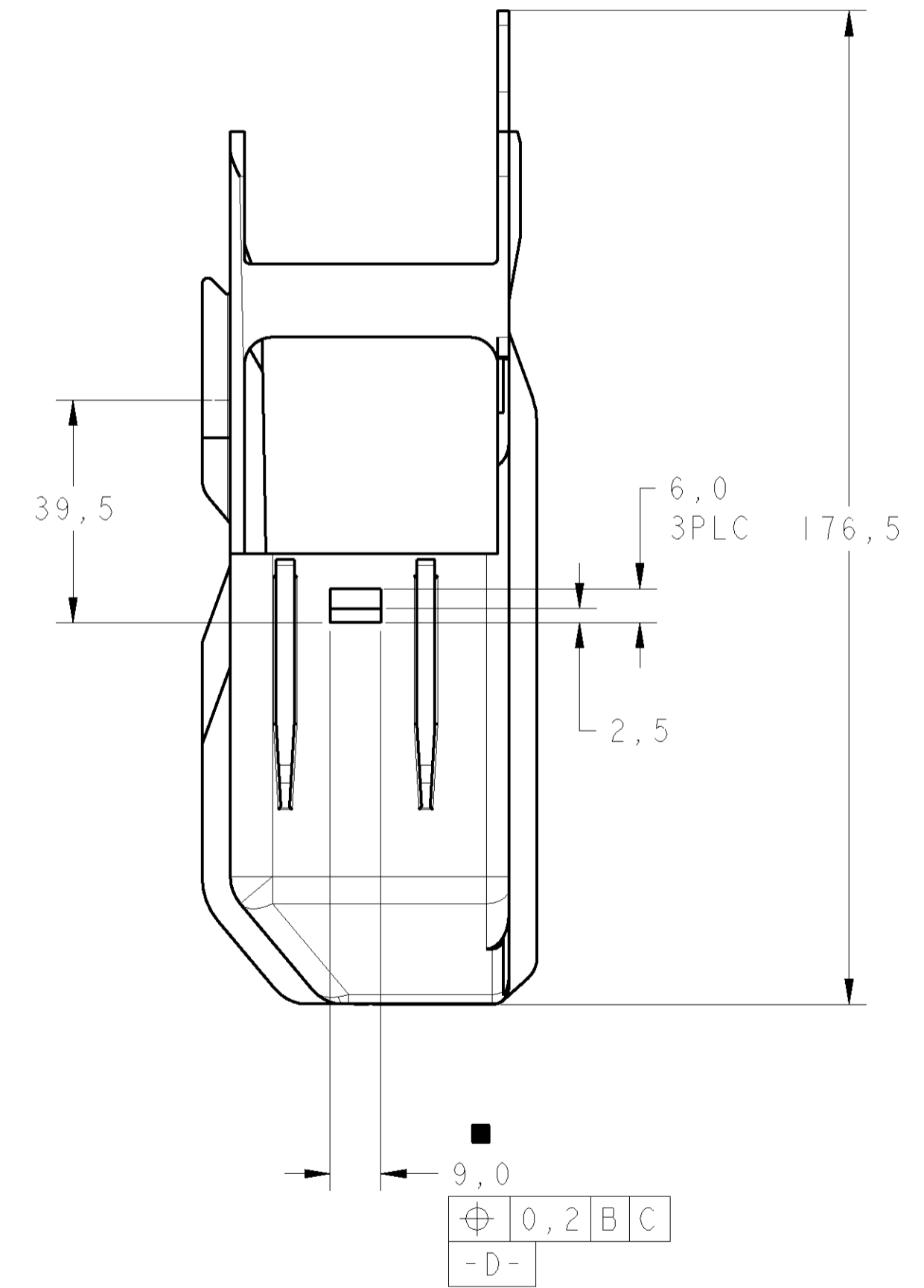
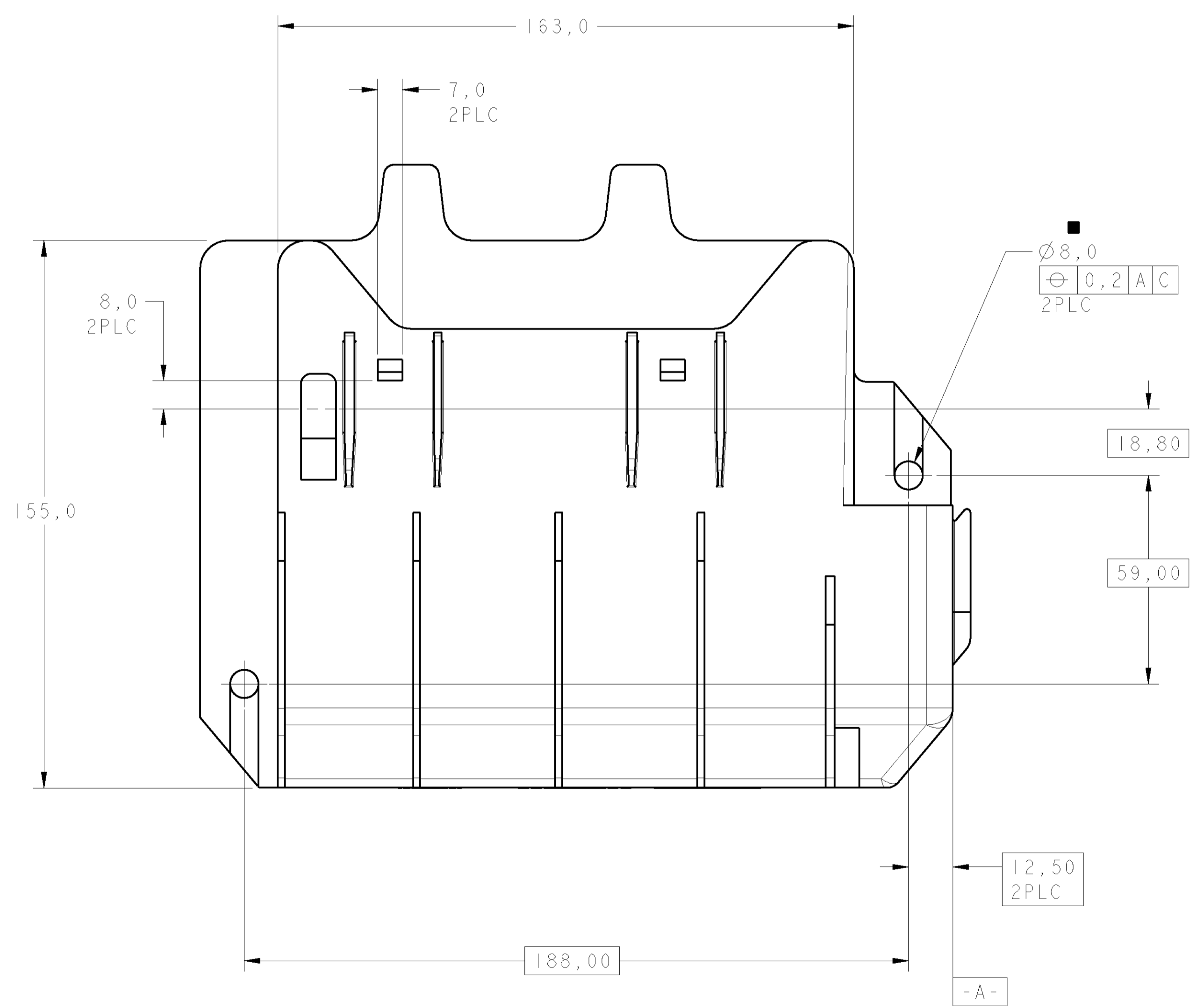
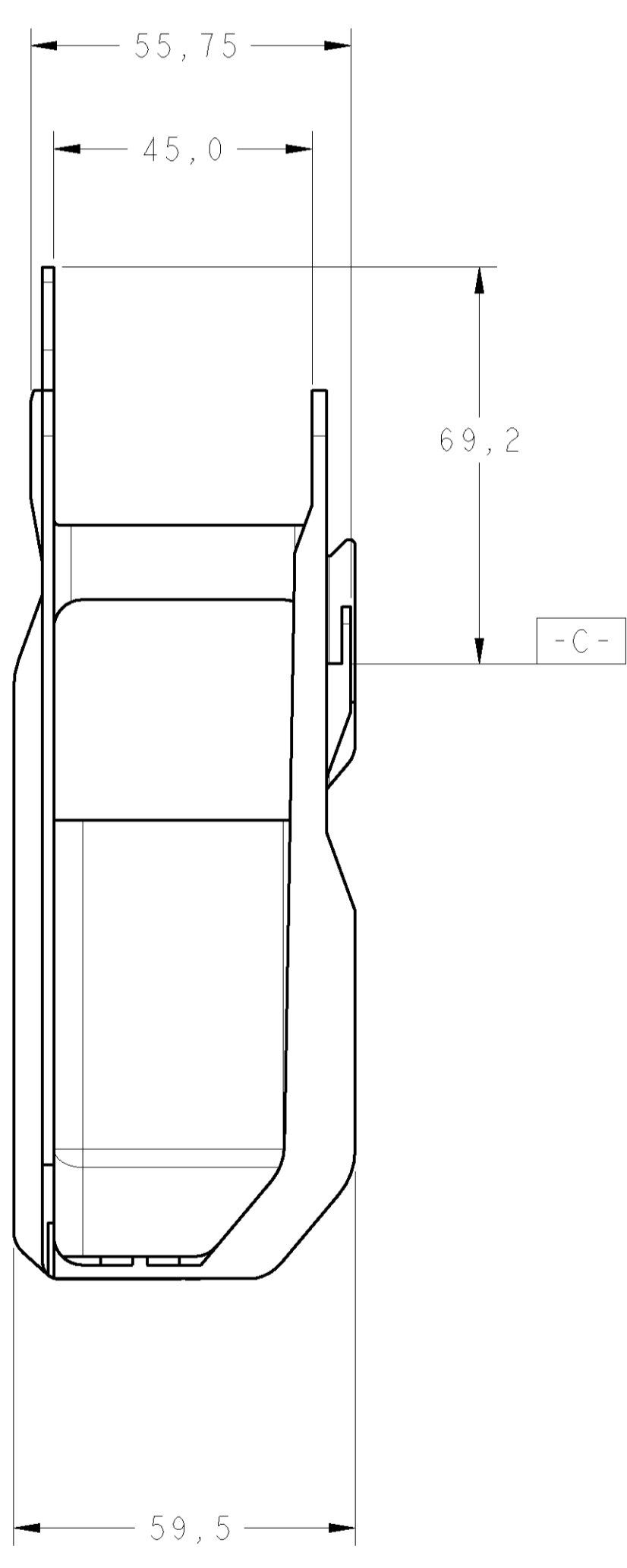
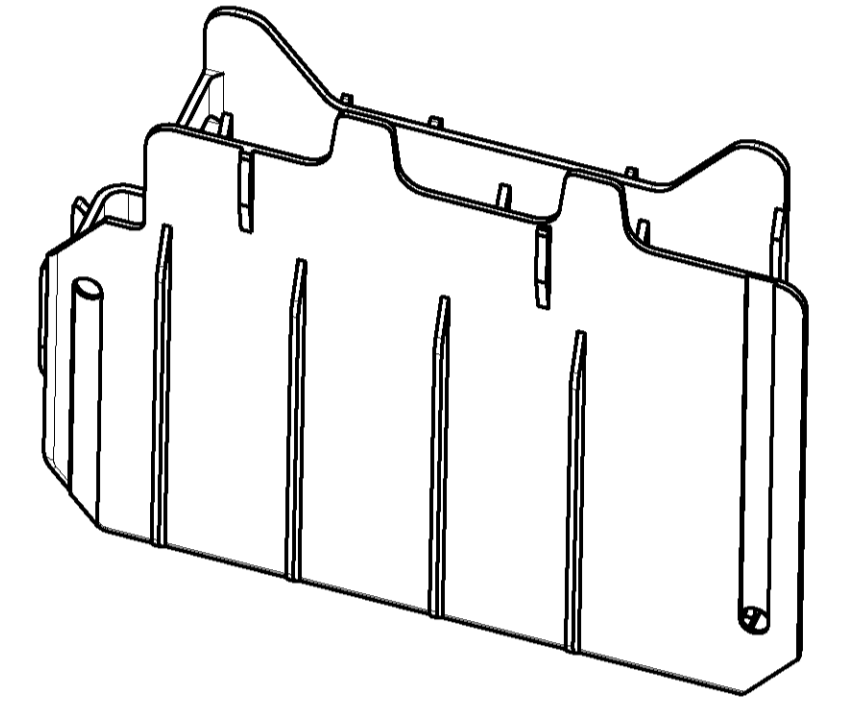
MANUFACTURING CRITICAL POINT  
 SPECIFICATION CLASSIFICATION  
 CRITICAL MAJOR  
 MINOR

REVISIONS				
REV	DATE	DESCRIPTION	BY	APPV
A	15MAY2008	CHANGE STATUS ECO-08-011249	NCL	MBG

CAD  
 Pre-2.0  
 DO NOT REVISE  
 EXCEPT BY CAD



PERSPECTIVE VIEW  
 SCALE 1:2



GRAVAÇÕES	MARKINGS
LOGOTIPO TE	TE LOGO
CÓDIGO PAÍS PRODUTOR	MANUFACTURER COUNTRY CODE
NOMENCLATURA MATERIAL	MATERIAL NOMENCLATURE
NÚMERO COMPONENTE TE	TE COMPONENT NUMBER
LOGOTIPO CLIENTE	CUSTOMER LOGO
9151487499	REV. H 30/09/03
NÚMERO PEÇA CLIENTE	CUSTOMER PART NUMBER

PRETO/BLACK	PP +20XTD	1599895-1
<b>FINISH</b>	<b>MATERIAL</b>	<b>PART NUMBER</b>
TYCO ELECTRONICS Brasil LTDA. São Paulo, Brasil		
DWN: E.J.G.SILVA 13APR2006 CHK: P.L.FARIA 13APR2006 APVD: W.MIRANDA 13APR2006 PRODUCT SPEC: NA APPLICATION SPEC: NA WEIGHT: - CUSTOMER DRAWING:		
SIZE: A CAGE CODE: - DRAWING NO: 1599895		RESTRICTED TO: - SHEET: 1 OF 1 REV: A

DIMENSIONS:	TOLERANCES UNLESS OTHERWISE SPECIFIED:
mm	0 PLC ±0.3
	1 PLC ±0.2
	3 PLC ±0.2
	4 PLC ±0.2
	ANGLES ±0.1°
MATERIAL: SEE TABLE	FINISH: SEE TABLE