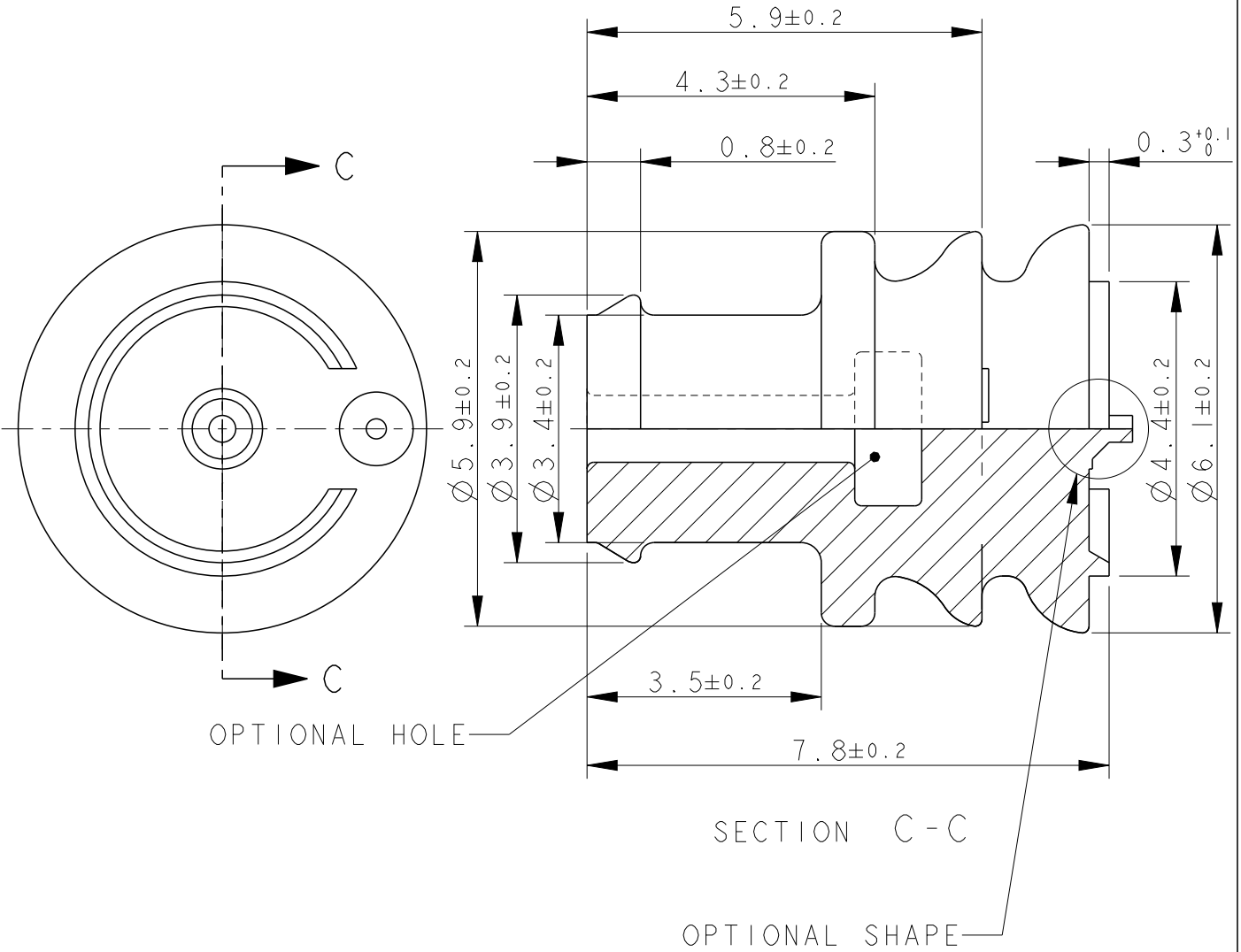


REVISIONS					
P	LTR	DESCRIPTION	DATE	DWN	APVD
	E4	ADDED -2 VERSION (ECR-15-012759)	31AUG2015	M.G.	M.G.



282081-2	E	YELLOW	SILICONE RUBBER (NOT LUBRICATED)
282081-1	E	RED	SILICONE RUBBER (LUBRICATED)
PART NO.	REV.	COLOUR	MATERIAL

2007


RELEASED FOR PUBLICATION

ALL RIGHTS RESERVED.

THIS DRAWING IS UNPUBLISHED.

BY -

© COPYRIGHT 2007

DIMENSIONS: mm	DWN C. BERTINI	OCT-1989	MATERIAL	SEE TABLE	FINISH	SEE TABLE
	CHK A. BRUNI	OCT-1989	 TE Connectivity			
TOLERANCES UNLESS OTHERWISE SPECIFIED:	APVD	-				
	PRODUCT SPEC	-				
0 PLC ±0.3	APPLICATION SPEC	-	SIZE	CAGE CODE	DRAWING NO	RESTRICTED TO
1 PLC ±0.3			A4	00779	C=282081	-
2 PLC ±	WEIGHT	-	Customer Drawing			
3 PLC ±			SCALE	10:1	SHEET	1 OF 1
4 PLC ±					REV	E4
ANGLES ±2°						