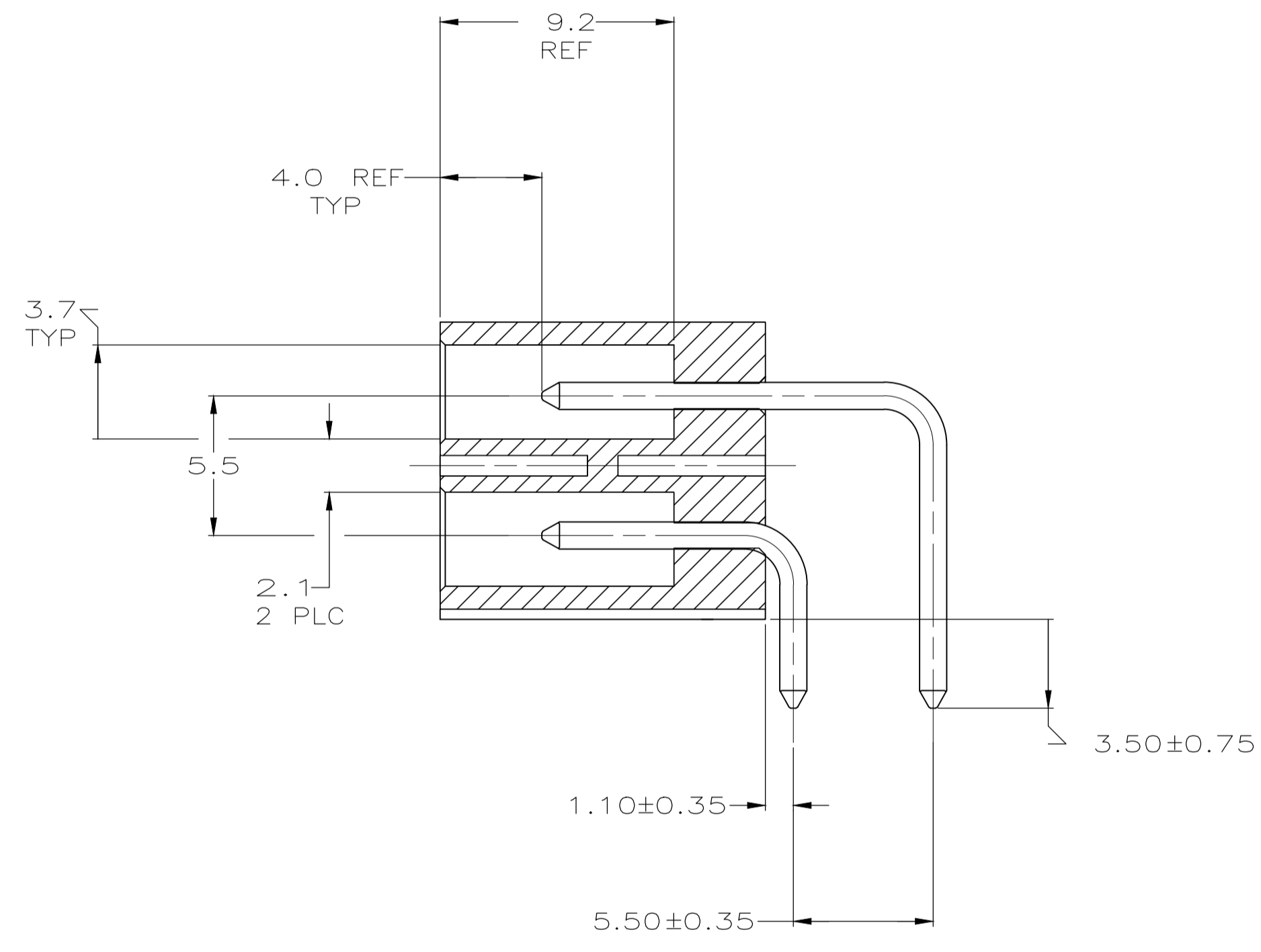
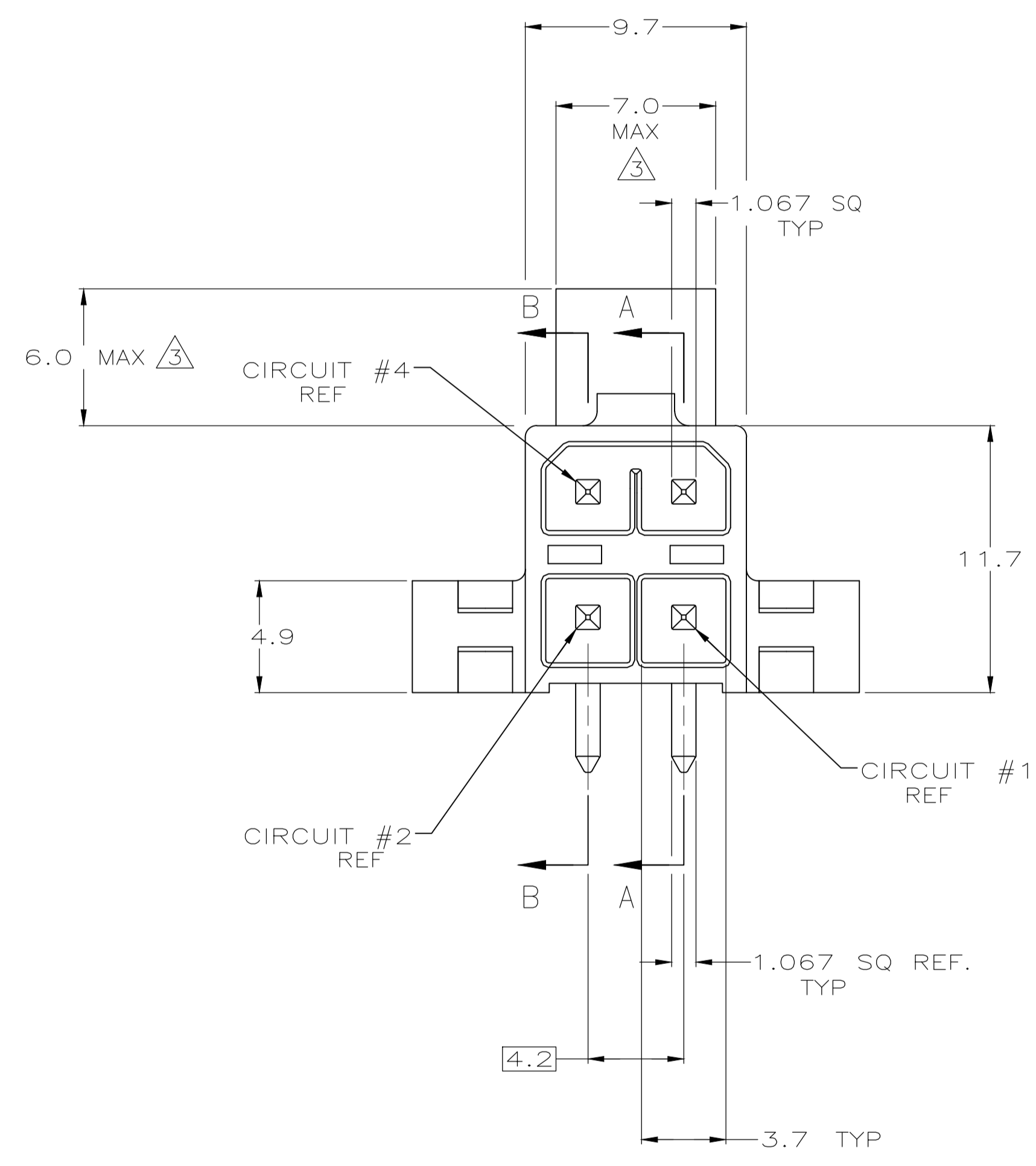
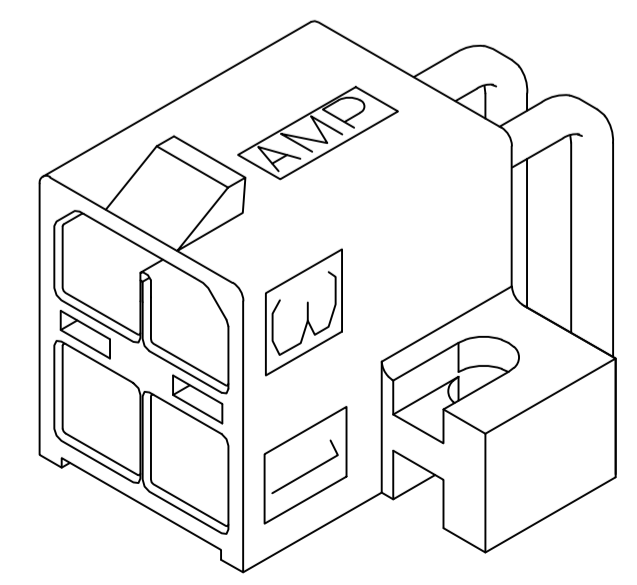
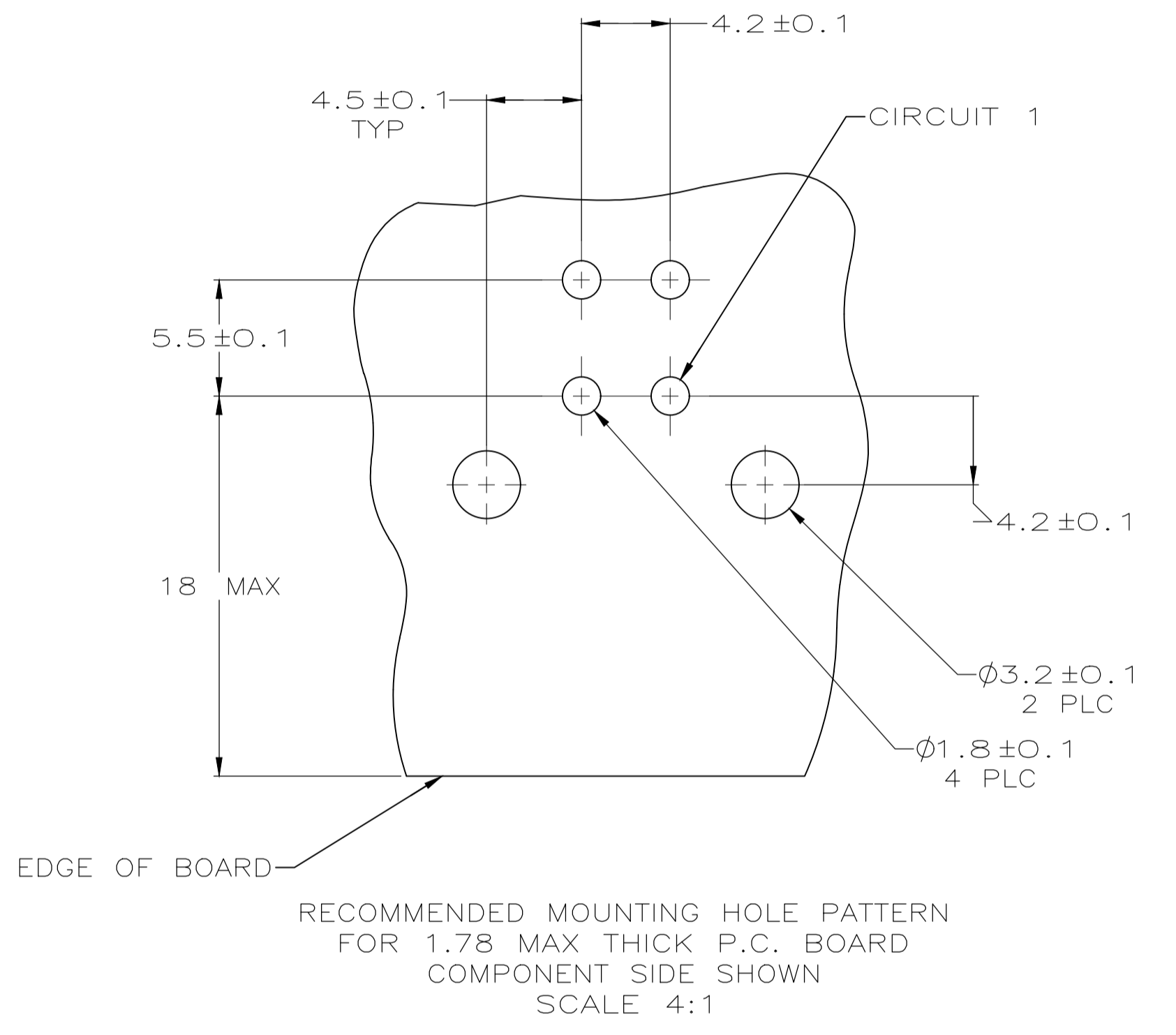


SECTION A-A



SECTION B-B

- △ CONTACT: 0.00076 GOLD AT INTERFACE. 0.00254 MIN MATTE TIN ON SOLDER TAIL. 0.00127 MIN NICKEL UNDERPLATE ALL OVER.
- 2. MATES WITH AMP-DUAC/PL PLUG RECEPTACLE 794152 AND ITS CONTACTS.
- △ CLEARANCE ENVELOPE FOR MATING PLUG RECEPTACLE LATCH.
- △ ALL POSTS STANDARD.
- △ CONTACT GROUND POST LOCATED IN CIRCUIT 3, ASSEMBLY P/N 5794172-3.
- 7. NO POST IN POSITION 1
- 8. NO POST IN POSITION 2
- 9. NO POST IN POSITION 4



3-DIMENSIONAL MODEL NTS

OBSOLETE
OBSOLETE
OBSOLETE
OBSOLETE
OBSOLETE

- △ 9
- △ 8
- △ 7
- △ 6
- △ 5

MATERIAL	FINISH	MATERIAL	COLOR	PART NO
BRASS	△	PBT, UL94V-0	NATURAL(WHITE)	5794172-6
BRASS	△	PBT, UL94V-0	NATURAL(WHITE)	5794172-5
BRASS	△	PBT, UL94V-0	NATURAL(WHITE)	5794172-4
BRASS	△	PBT, UL94V-0	NATURAL(WHITE)	5794172-3
BRASS	△	PBT, UL94V-0	NATURAL(WHITE)	5794172-2

5794172-3 SHOWN

THIS DRAWING IS A CONTROLLED DOCUMENT.		DIN R. GRZYBOWSKI 04MAR05		TE Connectivity	
DIMENSIONS: mm		TOLERANCES UNLESS OTHERWISE SPECIFIED:		NAME	
0 PLC ± -		1 PLC ± 0.2		FRANTUM	
2 PLC ± 0.13		3 PLC ± -		PRODUCT SPEC	
4 PLC ± -		ANGLES ± -		108-1646	
SEE TABLE		SEE TABLE		APPLICATION SPEC	
				114-6067	
				SIZE	
				A1 00779	
				WEIGHT	
				CUSTOMER DRAWING	
				SCALE 5:1	
				SHEET 1 of 1	
				REV A2	

