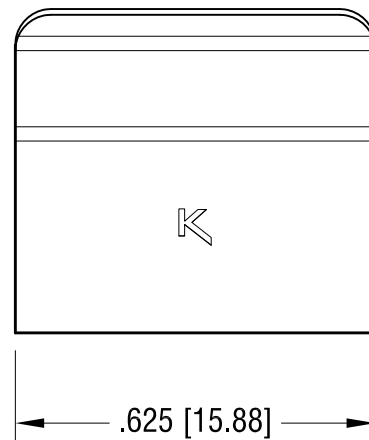
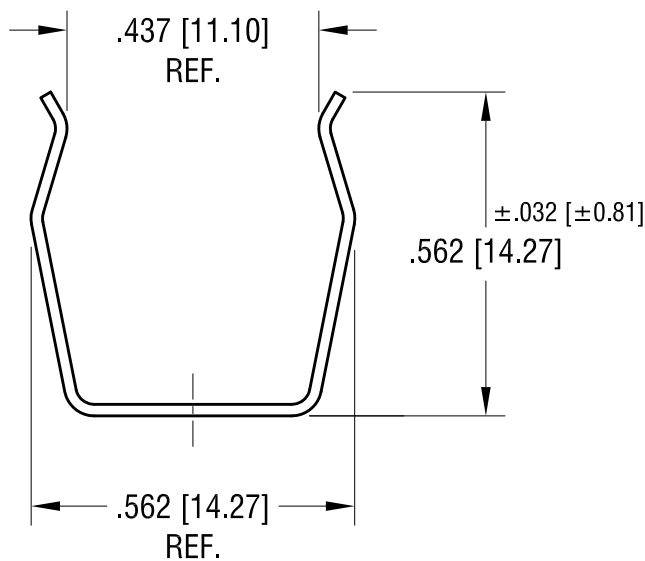
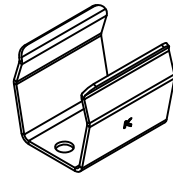
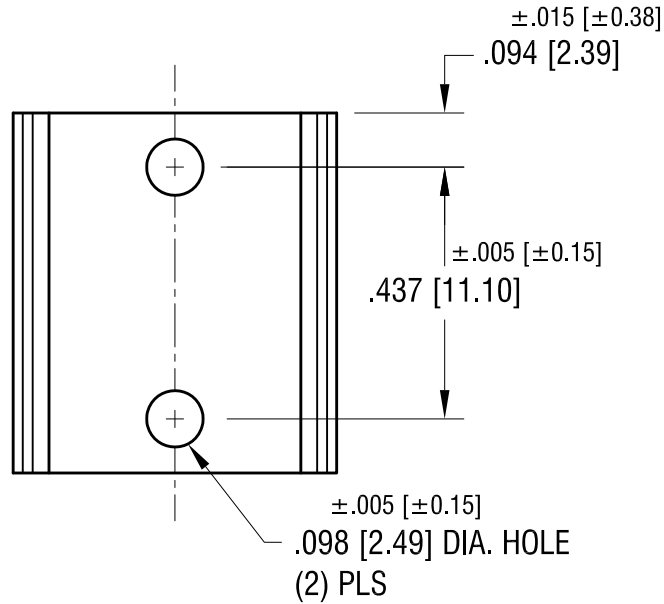


THIS DOCUMENT IS THE PROPERTY OF
KEYSTONE ELECTRONICS CORP. AND
SHALL NOT BE REPRODUCED, DISTRIBUTED
OR USED AS A BASIS FOR MANUFACTURE
WITHOUT PRIOR WRITTEN PERMISSION
FROM KEYSTONE ELECTRONICS CORP.

ACTUAL SIZE



7.28.17	CHANGE AS PER ECN 17-050	C
12.13.99	CHANGE AS PER ECN 99-103	B
4.21.94	CHANGE AS PER ECR 94-005	A
DATE	DESCRIPTION	REV.

KEYSTONE ELECTRONICS CORP.			
www.keyelco.com • NEW HYDE PARK NY 11040 • Tel (516)328-7500			
PART NAME		"AA" BATTERY CLIP	
MATERIAL		.020 [0.50] TH'K ALUMINUM 2024-T3	
FINISH		DRN BY	DATE
NONE		BOONE	10.30.81
		APP'D	SCALE
		RH	3X
TOLERANCES	INCH [MM]	CODE	DWG NO.
DECIMAL	$\pm .010$ [± 0.25]	C	91
ANGULAR	$\pm 1^\circ$		
UNLESS OTHERWISE SPECIFIED			