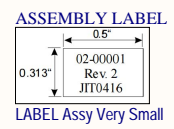
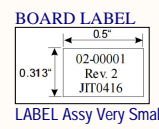
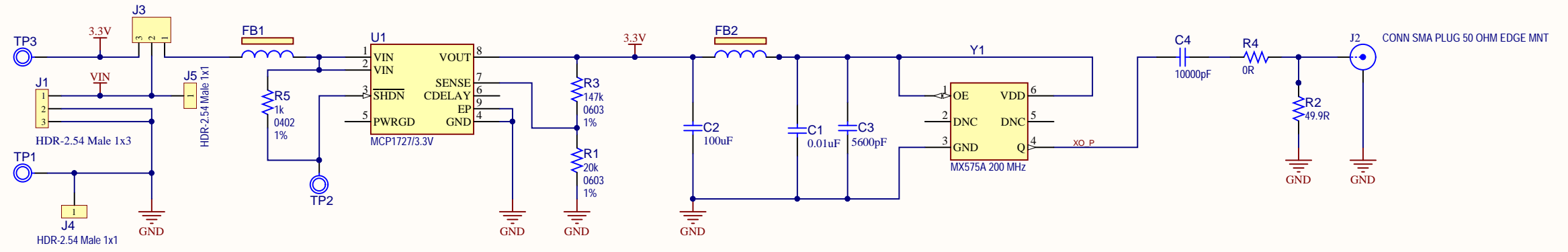


REV	ECO#	DESCRIPTION	DATE



Drawn By: Idan Shtayer	
Engineer: Idan Shtayer	
PartNumber: ADM00791	Project Title <b>MX57 200MHz LVC MOS Clock Source</b>
Sheet Title <b>Schematic</b>	Designed with 
Size B	Sch #03-10512-1 Revision:2
Date: 5/23/2017 3:13:48 PM	Sheet 1 of 1
File: OSC Board.SchDoc	