



976 MHz High Pass Filter



ANATECH ELECTRONICS INC
RF & Microwave Filters & Products

Part Number: AE976H9922

Electrical Specifications

- Cut Off Frequency:** 976 MHz
- Pass Band Frequency:** 976-2250 MHz
- Insertion Loss @ 990 MHz:** ≤3.0dB
- Insertion Loss @ 1000-2250 MHz:** ≤1.5dB
- Rejection:** ≥30dB @ 968 MHz
- Impedance:** 75 Ohms
- Power Handling:** 10 Watts

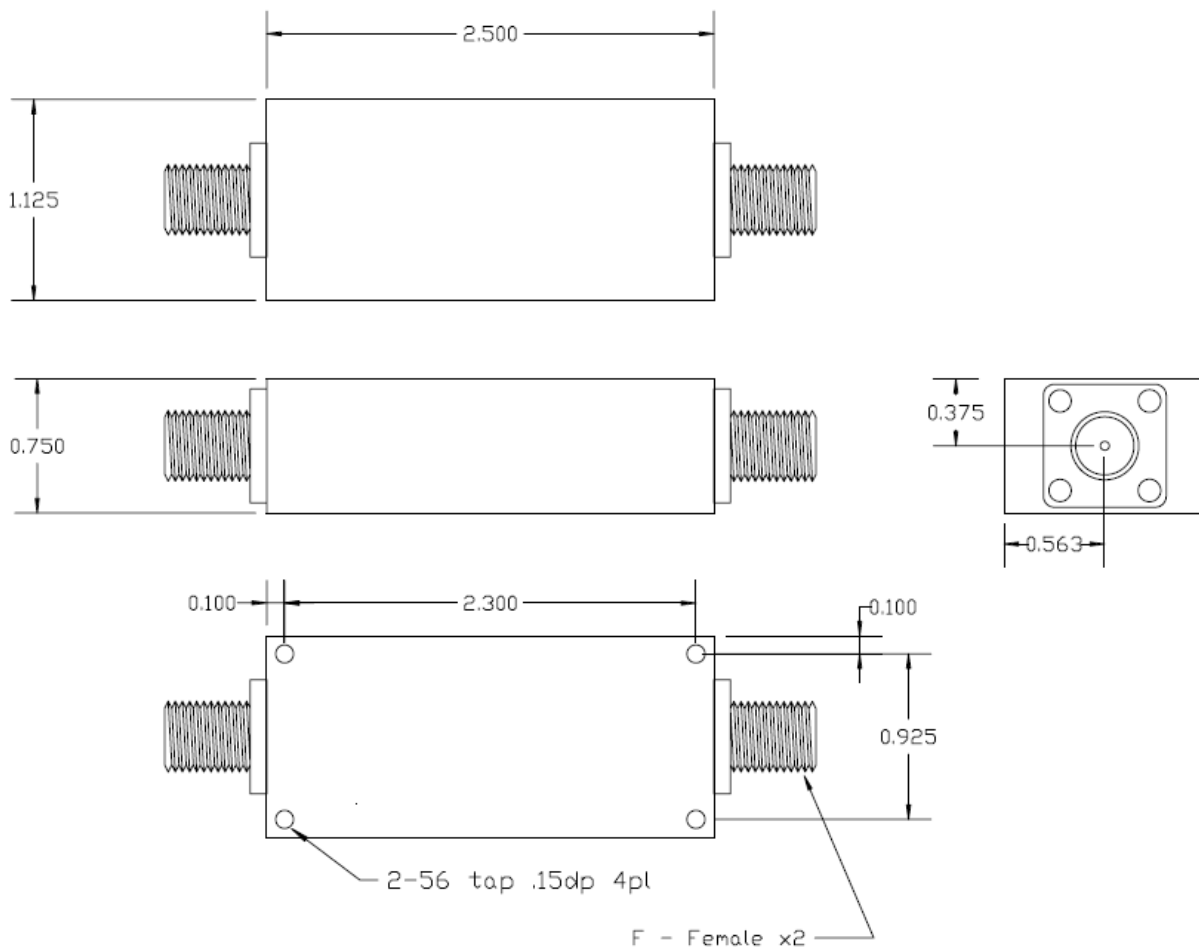
Mechanical

- Mounting Method:** Threaded Holes
- Connector Type:** F-type(F)
- Dimensions:** 2.5 x 1.125 x 0.75 in.

Environmental

- Operating Temperature:** -40° to +80° C
- Storage Temperature:** -45° to +85° C
- Shock:** 10 G. 11ms
- Vibration:** 10 G. 5 to 200 Hz

Outline Drawing:



Tolerance: +/-0.01 inches [+/- 0.3mm]

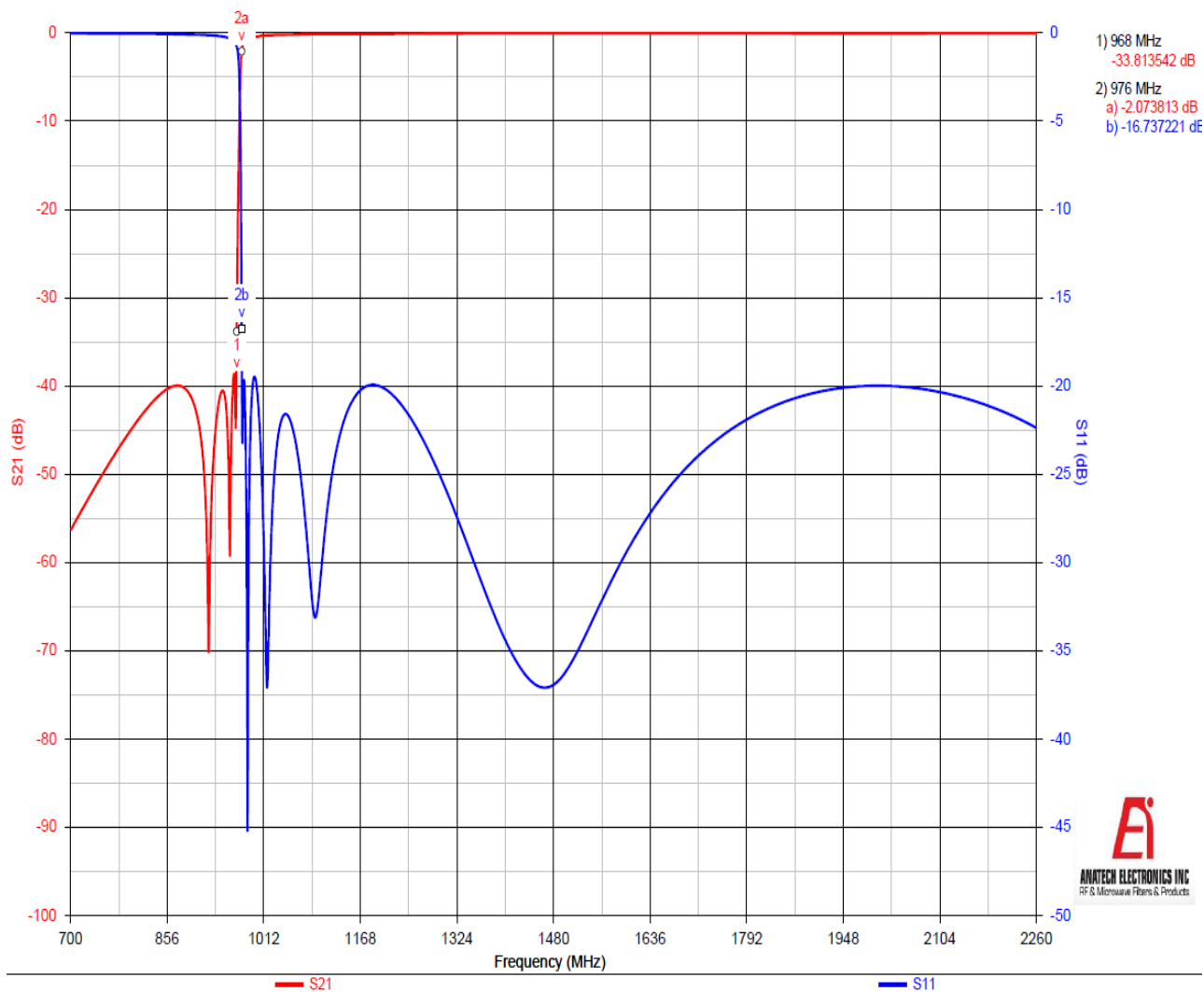
Angles: +/- 1 Deg.

*Tolerance as shown unless otherwise specified in the datasheet electrical specification tables above.

*When max dimensions are called out the above tolerances do not apply as long as it is under the max call out.



Simulation Plot:



Note: This is a simulated response plot. Actual performance might differ.