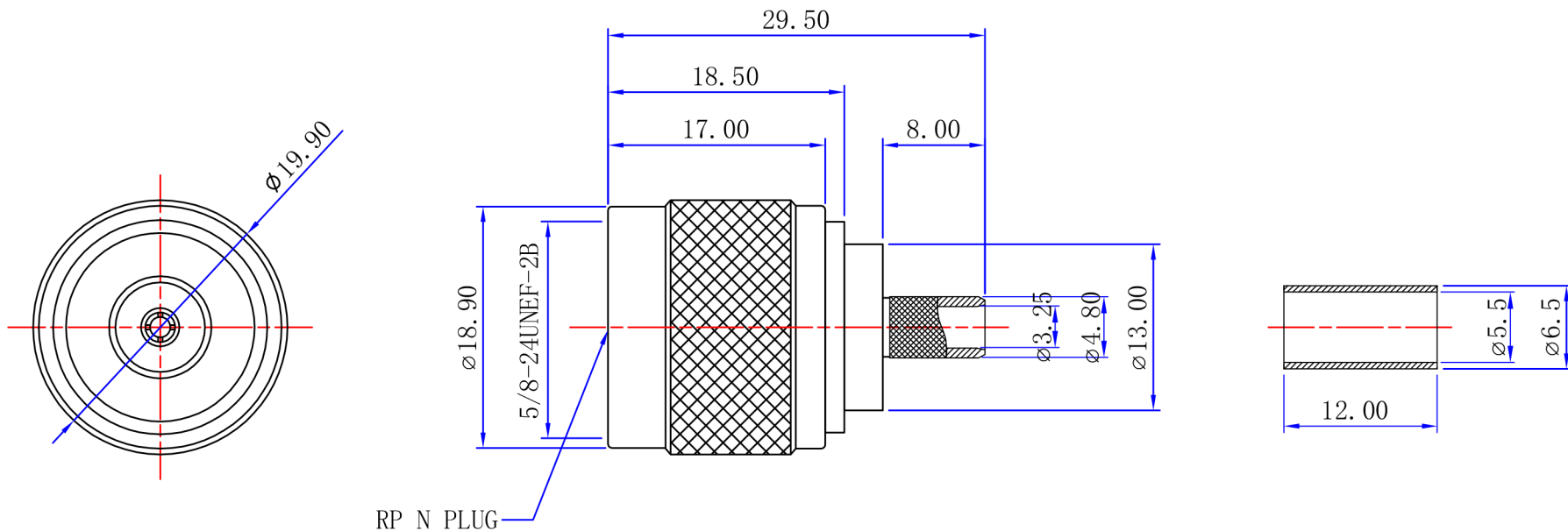




Product NO. **BC-221-195**

REV	DESCRIPTION	DWN	DATE	APPROVEN
R1.0	First issue	Gavin	2021/03/09	JIM. KING



**Specifications**

Impedance: 50 Ohms  
 Frequency Range: 0-6G  
 VSWR: 1.5MAX  
 Working Voltage: 1000 VRMS (max at sea level)  
 Dielectric Withstanding Voltage: 1500 vrms (max at sea level)  
 Insulation Resistance: 5000 MOhms min  
 Durability Mating: 500 Cycles min  
 Temperature Range: -65°C TO +165°C

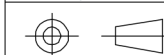
No	Connector color
BC-221-195-RD	Body electrophoresis: Red
BC-221-195-BL	Body electrophoresis: Blue
BC-221-195-BK	Body electrophoresis: Black

-TOLERANCES-  
UNLESS OTHERWISE  
SPECIFIED



**BIG CAT CABLES**

UNLESS OTHERWISE SPECIFIED  
TOLERANCES FOR MILLIMETERS ARE:  
 0.5 - 8mm ± 0.20mm  
 8 - 30mm ± 0.25mm  
 30 - 120mm ± 0.30mm



PART DESCRIPTION: **RP Male**  
RP N CRIMP PLUG FOR LMR195 CABLE

Appd: JIM. KING	P/N: <b>BC-221-195</b>				
Check:	Date	Scale	Unit	Type	Page
Draw: Gavin	2021.03.09	Free	MM	Z	1/1

4	FERRULE	BRASS	NICKEL	1
3	PIN	BRASS	GOLD	1
2	INSUKATON	PTFE	NONE	1
1	BODY	BRASS	Electrophoresis	1
NO	DESCRIPTION	MATERIAL	FINISH	QTY

1

2

3

4

5

6