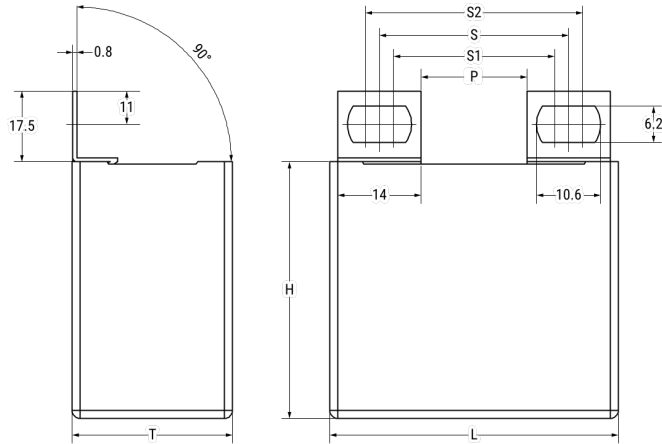


## C4BSPBX4150ZHLJ

C4BS, Film, Metallized Polypropylene, Power, 1.5 uF, 5%, 630 VAC, 1200 VDC, 70°C, Lead Spacing = 25.5mm



Click [here](#) for the 3D model.

Dimensions	
L	42mm +1.5/-0.7mm
H	45mm +0.2/-0.7mm
T	30mm +0.4/-0.7mm
S	25.5mm +/-0.2mm
S1	21.5mm +/-0.2mm
S2	29.5mm +/-0.2mm
P	10.5mm NOM

Packaging Specifications	
Packaging	Bulk, Bag
Packaging Quantity	32

General Information	
Series	C4BS
Dielectric	Metallized Polypropylene
Style	Radial
Features	IGBT Circuit
RoHS	Yes
Lead	Flat Tabs
AEC-Q200	No
Miscellaneous	KEMET Style H Tabs.

Specifications	
Capacitance	1.5 uF
Capacitance Tolerance	5%
Voltage AC	630 VAC
Voltage DC	1200 VDC
Temperature Range	-40/+85°C
Rated Temperature	70°C
Max dV/dt	965 V/us
Resistance	2.3 mOhms (100kHz)
Ripple Current	34 Amps (100kHz 70C), 1448 Amps (Peak)
Inductance	43 nH