

REVISIONS

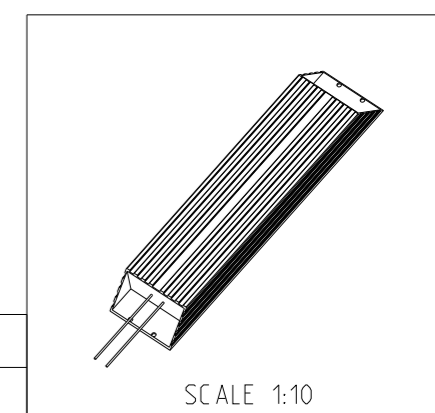
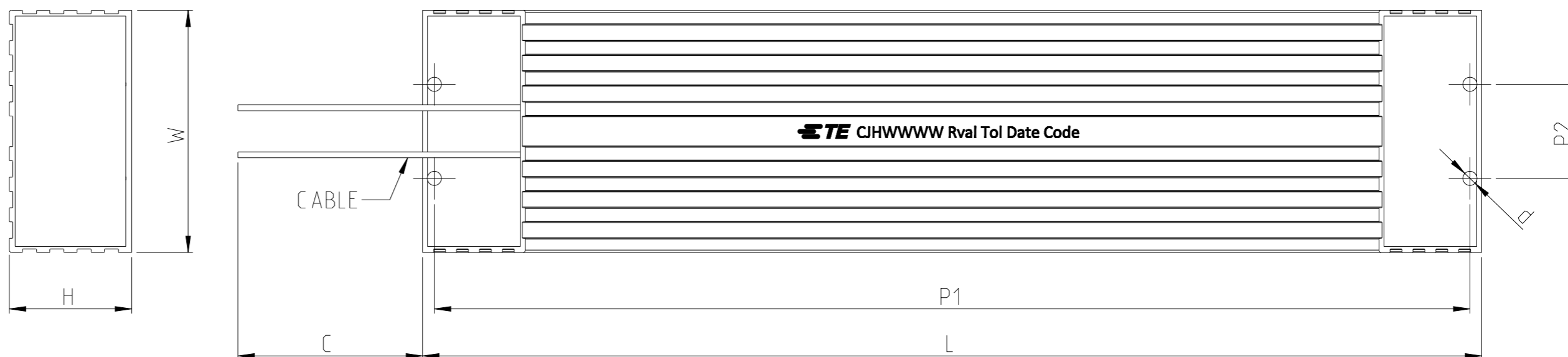
NOTE:

- 1 MOUNTING: 4 x HOLES Ø6mm
- 2 TERMINATION CABLES: UL APPROVED FEP CABLES FOR THE TERMINATIONS, BASED ON THE RESISTOR CURRENT RATING (SEE CHART BELOW) WITH E5 RING TERMINALS

CURRENT RATING	CABLE SIZE USED
≤15A	16 AWG
>15A & ≤25A	14 AWG
>25A & ≤35A	12 AWG

3 FOR FURTHER INFORMATION SEE DATA SHEET FOR CJH SERIES OF ALUMINIUM HOUSED RESISTOR

P	LTR	DESCRIPTION	DATE	DWN	APVD
	A	INITIAL DRAWING RELEASE	26MAY2022	KS	AP



PART NUMBER	L ±1	W ±1	H ±1	C ±1	P1 ±0.5	P2 ±0.5
CJH4000	450	103	52	290	440	40

THIS DRAWING IS A CONTROLLED DOCUMENT.

DWN 26MAY2022
KARTHIK S
CHK 26MAY2022
ALLAN P
APVD 26MAY2022
ALLAN P
PRODUCT SPEC



NAME
ALUMINIUM ENCLOSED RESISTOR
CJH4000 SERIES

DIMENSIONS: mm	TOLERANCES UNLESS OTHERWISE SPECIFIED:
	0 PLC ± 1 PLC ±0.5 2 PLC ±0.13 3 PLC ±0.013 4 PLC ±0.0001 ANGLES ±
MATERIAL	FINISH
-	-

APPLICATION SPEC	-	SIZE	CAGE CODE	DRAWING NO	RESTRICTED TO
WEIGHT	-	A3	00779	C=2176518	-
CUSTOMER DRAWING	SCALE 1:2	SHEET 1 OF 2	REV A		

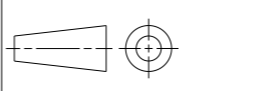
REVISIONS

P	LTR	DESCRIPTION	DATE	DWN	APVD
	-	SEE SHEET 1	-	-	-


SCHEDULE

TCPN	PRODUCT NUMBER	MATERIAL DESCRIPTION	PART STATUS
2176518-1	C JH4000J18RJ	C JH 4000W 18R 5% LEAD	PRODUCTION
2176518-2	C JH4000J22RJ	C JH 4000W 22R 5% LEAD	PRODUCTION
2176518-3	C JH4000J27RJ	C JH 4000W 27R 5% LEAD	PRODUCTION
2176518-4	C JH4000J33RJ	C JH 4000W 33R 5% LEAD	PRODUCTION
2176518-5	C JH4000J39RJ	C JH 4000W 39R 5% LEAD	PRODUCTION
2176518-6	C JH4000J47RJ	C JH 4000W 47R 5% LEAD	PRODUCTION
2176518-7	C JH4000J56RJ	C JH 4000W 56R 5% LEAD	PRODUCTION
2176518-8	C JH4000J68RJ	C JH 4000W 68R 5% LEAD	PRODUCTION
2176518-9	C JH4000J82RJ	C JH 4000W 82R 5% LEAD	PRODUCTION
1-2176518-0	C JH4000J100RJ	C JH 4000W 100R 5% LEAD	PRODUCTION
1-2176518-1	C JH4000J120RJ	C JH 4000W 120R 5% LEAD	PRODUCTION
1-2176518-2	C JH4000J150RJ	C JH 4000W 150R 5% LEAD	PRODUCTION
1-2176518-3	C JH4000J180RJ	C JH 4000W 180R 5% LEAD	PRODUCTION
1-2176518-4	C JH4000J220RJ	C JH 4000W 220R 5% LEAD	PRODUCTION
1-2176518-5	C JH4000J270RJ	C JH 4000W 270R 5% LEAD	PRODUCTION
1-2176518-6	C JH4000J330RJ	C JH 4000W 330R 5% LEAD	PRODUCTION
1-2176518-7	C JH4000J390RJ	C JH 4000W 390R 5% LEAD	PRODUCTION
1-2176518-8	C JH4000J470RJ	C JH 4000W 470R 5% LEAD	PRODUCTION
1-2176518-9	C JH4000J560RJ	C JH 4000W 560R 5% LEAD	PRODUCTION
2-2176518-0	C JH4000J680RJ	C JH 4000W 680R 5% LEAD	PRODUCTION
2-2176518-1	C JH4000J820RJ	C JH 4000W 820R 5% LEAD	PRODUCTION
2-2176518-2	C JH4000J1K0J	C JH 4000W 1K0 5% LEAD	PRODUCTION
2-2176518-3	C JH4000J1K2J	C JH 4000W 1K2 5% LEAD	PRODUCTION
2-2176518-4	C JH4000J1K5J	C JH 4000W 1K5 5% LEAD	PRODUCTION
2-2176518-5	C JH4000J1K8J	C JH 4000W 1K8 5% LEAD	PRODUCTION

THIS DRAWING IS A CONTROLLED DOCUMENT.

DIMENSIONS: mm		TOLERANCES UNLESS OTHERWISE SPECIFIED:	
		0 PLC	±-
		1 PLC	±0.5
		2 PLC	±0.13
		3 PLC	±0.013
		4 PLC	±0.0001
		ANGLES	±
MATERIAL		FINISH	
-		-	
-		-	

DWN	KARTHIK S	26MAY2022
CHK	ALLAN P	26MAY2022
APVD	ALLAN P	26MAY2022
PRODUCT SPEC	-	
APPLICATION SPEC	-	
WEIGHT	-	
CUSTOMER DRAWING		

		TE Connectivity	
		NAME ALUMINIUM ENCLOSED RESISTOR C JH4000 SERIES	
SIZE	CAGE CODE	DRAWING NO	RESTRICTED TO
A3	00779	©=2176518	-
SCALE 1:1		SHEET 2 OF 2	REV A