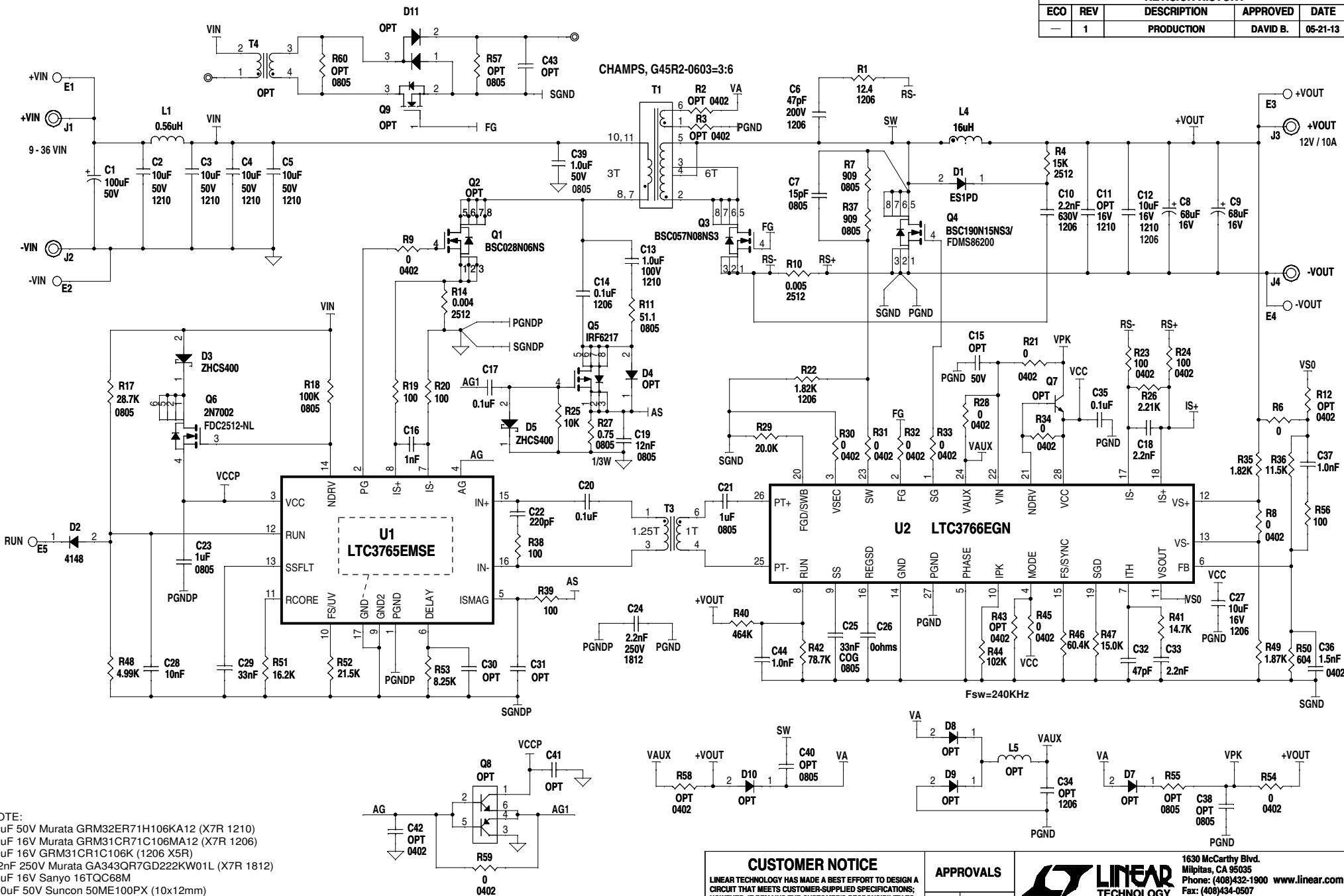


REVISION HISTORY				
ECO	REV	DESCRIPTION	APPROVED	DATE
-	1	PRODUCTION	DAVID B.	05-21-13



NOTE:
 10uF 50V Murata GRM32ER71H106KA12 (X7R 1210)
 10uF 16V Murata GRM31CR71C106MA12 (X7R 1206)
 10uF 16V GRM31CR1C106K (1206 X5R)
 2.2nF 250V Murata GA343QR7GD222KW01L (X7R 1812)
 68uF 16V Sanyo 16TQC68M
 100uF 50V Suncon 50ME100PX (10x12mm)
 L1 Vishay IHL2525EZER0R56M01
 L4 Champs PQA2050-16-HX
 0.004 ohm Susumu KRL6432D-C-R004-F-T5 (2512)
 0.005 ohm Panasonic ERJM1WSF5M0U (2512)
 R27 SUSUMU, RL1220S-R75-F (0805)
 T1 Champs, G45R2-0603-XX (3:6)
 T3 COILCRAFT, CT8281-BL (1.25T:1T)

Unless otherwise specified:
 All resistors are in ohms 0603.
 All capacitors are in microfarads 0603.
 All capacitors are 25V.
 1/16W = 0402, 1/10W = 0603, 1/8W = 0805,
 1/4W = 1206, 1W = 2512.

CUSTOMER NOTICE
 LINEAR TECHNOLOGY HAS MADE A BEST EFFORT TO DESIGN A CIRCUIT THAT MEETS CUSTOMER-SUPPLIED SPECIFICATIONS; HOWEVER, IT REMAINS THE CUSTOMER'S RESPONSIBILITY TO VERIFY PROPER AND RELIABLE OPERATION IN THE ACTUAL APPLICATION. COMPONENT SUBSTITUTION AND PRINTED CIRCUIT BOARD LAYOUT MAY SIGNIFICANTLY AFFECT CIRCUIT PERFORMANCE OR RELIABILITY. CONTACT LINEAR TECHNOLOGY APPLICATIONS ENGINEERING FOR ASSISTANCE.

THIS CIRCUIT IS PROPRIETARY TO LINEAR TECHNOLOGY AND SUPPLIED FOR USE WITH LINEAR TECHNOLOGY PARTS.

APPROVALS		TITLE: SCHEMATIC	1630 McCarthy Blvd. Milpitas, CA 95035 Phone: (408)432-1900 www.linear.com Fax: (408)434-0507 LTC Confidential-For Customer Use Only
PCB DES.	LT		
APP ENG.	DAVID B.		
SIZE N/A	IC NO. LTC3765EMSE, LTC3766EGN	DEMO BOARD 1739B-C	
SCALE = NONE	DATE: Tuesday, May 21, 2013	SHEET 1 OF 1	