



AUDIO
TECHNOLOGIES®

XLR CHASSIS CONNECTORS

4 PIN JL SERIES

Locking 4 pin connectors with rugged metal shells perfect for use in DC power, aviation, communications, and other AV applications.

SPECIFICATIONS

PRODUCT

Gender: **Male (IO-XLR4-M-JL),**
Female (IO-XLR4-F-JL)

Contacts: **4**

ELECTRICAL

Capacitance Between Contacts: **≤ 2 pF**

Capacitance Between Contact and Ground: **≤ 2 pF**

Contact Resistance: **< 5 m Ω**

Insulation Resistance: **≥ 5000 M Ω**

Dielectric Strength: **1500V @ 60s**

Current Rating: **10A / 125V AC**

Grounding: **Separate ground terminal. Grounds to mating connector shell and panel**

ENVIRONMENTAL

Standard Compliance: **IEC 61076-2-103**

UL Flammability Rating: **UL94 V-0**

Temperature Range: **-40°C ~ +70° C (-40°F ~ +158°F)**



IO-XLR4-M-JL

IO-XLR4-F-JL

MECHANICAL

Lifetime: **> 1000 Mating Cycles**

Wiresize: **1.75mm Max O.D. (F)**
1.20mm Max O.D. (M)

Wiring: **Solder Contacts**

Locking Device: **Latch Lock**

Mounting Direction: **Front**

Solderability: **Complies with IEC 60068-2-20**

MATERIAL

Pins: **Brass (Male)**

Phosphor Bronze (Female)

Pin Plating: **Silver**

Grounding Terminal: **Tin Plated Brass**

Shell: **Nickel Plated Zinc Alloy**

Push Button: **Nickel Plated Brass**

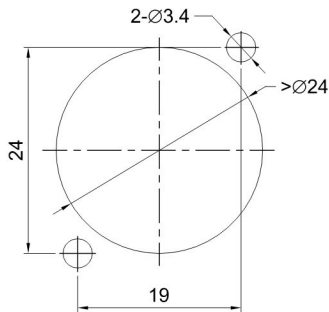
Latch: **Nickel Plated Carbon Steel**

Product specifications may change without prior notification

Io Audio Technologies® is a registered trademark of Knight Electronics, Inc.
10557 Metric Dr. Dallas, TX 75243 | 214-340-0265 | 800-323-2439 | Fax: 214-340-5870 |
www.ioaudiotechnologies.com



Panel Cutout



FEATURES & APPLICATIONS

JL Series XLR chassis connectors offer a sleek and robust connection in a standard "J" Size shell. This series is perfect for high-noise environments like permanent installations or design-in applications where the termination method is solder cups. The connectors have nickel plated die cast zinc housing which allows for great RF protection. They have precision machined, one piece, silver plated contacts and a separate tin plated ground pin which grounds to the connector housing and panel. Available in either black or nickel housing and in 3, 4, or 5 pin variations. The JL Series XLR chassis connectors help prevent local RF interference from assisted listening, WiFi, and other radio transmitters close to the connectors. When coupled with quality shielded cables, a robust system for preventing the intrusion of unwanted noises is created.

PART NUMBER BREAKDOWN

IO-**XLR**4-M-JL
Series Identifier
IO-XLR**4**-M-JL
Number of Pins
IO-XLR4-**M**-JL
Gender
IO-XLR4-M-**JL**
Series Identifier

STANDARDS & CLASSIFICATIONS



Product specifications may change without prior notification