

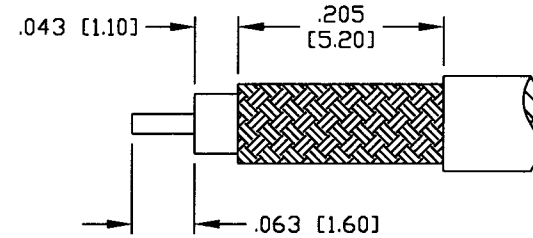
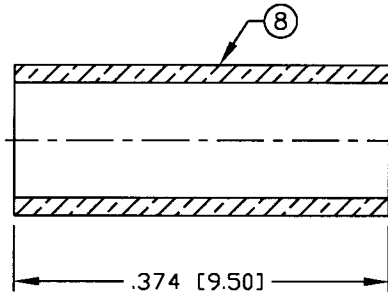
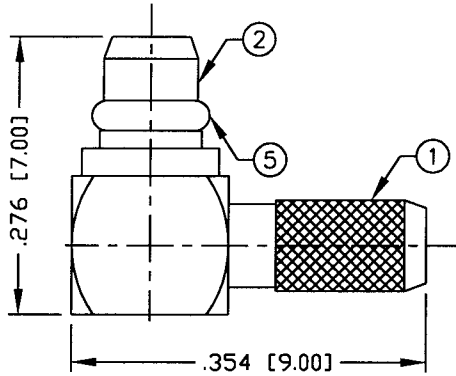
THIS DRAWING CONTAINS INFORMATION PROPRIETARY TO RF INDUSTRIES.
 ANY UNAUTHORIZED USE OF THIS DRAWING IS EXPRESSLY PROHIBITED
 WITHOUT WRITTEN PERMISSION FROM RF INDUSTRIES.
 ANY VIOLATION IS PUNISHABLE UNDER U.S. COPYRIGHT LAWS.

ALL DIMENSIONS ARE REFERENCE ONLY

PART NO.

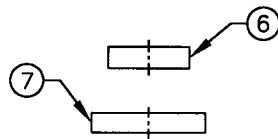
RP-9010-1B

REV	DESCRIPTION	DWN	DATE	APPROVED
-	ENGINEERING RELEASE	CZS	2/10/03	JDMc



RECOMMENDED STRIPPING DIMENSIONS

RECOMMENDED CRIMP DIE: .130"



SPECIFICATIONS:

IMPEDANCE: 50 Ohms
 FREQUENCY RANGE: 0-6 GHz
 WORKING VOLTAGE: 170 V rms @ sea level
 TEMPERATURE RANGE: -65°C TO 165°C
 INSULATION RESISTANCE: 1k M Ohms min.
 FOR RG-174, 188, 188A, 316/U, ALPHA 9174, 9316,
 BELDEN 8216, 83269, 83284, 84316 & TIMES LMR-100A CABLE

NOTE: ATTACH CABLE TO CONNECTOR BY SOLDERING
 THE CABLE INNER CONDUCTOR TO THE
 CONTACT SLOT INSIDE THE CONNECTOR

1	FERRULE STUD	1	BRASS	GOLD, 3μ"
2	BODY	1	BRASS	GOLD, 3μ"
3	INSULATOR	1	PTFE	---
4	CONTACT	1	Be.Cu.	GOLD, 30μ"
5	RETAINING RING	1	Be.Cu.	GOLD, 3μ"
6	INSULATOR	1	PTFE	---
7	COVER	1	BRASS	GOLD, 3μ"
8	FERRULE	1	COPPER	GOLD, 3μ"
9				
10				
11				
12				
13				
14				
#	DESCRIPTION	QTY	MATERIAL	FINISH

008974	
DRAWN	4/15/03
C. ZUNIGA	
CHECKED	4/15/03
ORJ DRAWN	
C. ZUNIGA	4/15/03
APPROVALS	DATE

UNLESS OTHERWISE SPECIFIED:

- REMOVE ALL BURRS
- BREAK ALL CORNERS & EDGES .005 R. MAX.
- CHAMFER 1ST & LAST THREADS 45°
- SURFACE ROUGHNESS 63 FINISH MIL-STD-10
- DIAMETERS ON COMMON CENTERS TO BE CONCENTRIC WITHIN .002 T.I.R.
- ALL DIMENSIONS ARE AFTER PLATING.

DIMENSIONS ARE IN INCHES AND [MILLIMETERS]
 UNLESS OTHERWISE NOTED TOLERANCES ARE:

DECIMALS	DIAMETER
.xxx±.003 [.08]	.xxx±.001 [.03]
.xx±.005 [.13]	.xx±.003 [.08]

RFconnectors
 DIVISION OF RF INDUSTRIES, LTD.

7610 MIRAMAR RD
 SAN DIEGO, CA 92126
 (858) 549-6340
 (858) 549-6345 FAX

MMCX PLUG, CRIMP
 REVERSE POLARITY, RIGHT ANGLE

SIZE	CABLE GROUP	DWG NO.	REV
A	B	RP-9010-1B	-

SCALE: NTS CAD FILE OUTLINE SHEET 1 OF 1