

SUMMARY

Wires

Low voltage 22



Image is for illustrative purpose only

Series	SP
Termination type	Male solder
IP rating	50
AWG wire size	36.00 - 28.00
Cable Ø	2.50 - 7.50 mm
Status	active
Matching parts	SAS.M22.GLL.6J

Download

[Request a quote](#)

[Catalog](#)

TECHNICAL DETAILS

Mechanics

Shell Style/Model	SK_.SP*: Fixed socket, key (N) or keys (P, S and T), with two nuts (back panel mounting), yellow front nut
Keying	3 keys (alpha=0, gamma=50, plug: female contacts, receptacle: male contacts)
Housing Material	Proprietary sulfone, gray
Variant	J : Yellow front nut
Weight	5.99 g

Performance

Configuration	SP.M22 : 22 Low V.
Insulator	L: PEEK (UL 94 / V-0/1.5)
Rated Current	2.0 Amps

Specifications

Contact Type: Solder
Contact Dia.: 0.5 mm (0.0196in)
Bucket Dia.: 0.45 mm (0.0177in)
Max. Solid Conductor: 0.12 mm² (AWG 28)
Max. Stranded Conductor: 0.12 mm² (AWG 28)
R (max): 8.5 mOhm

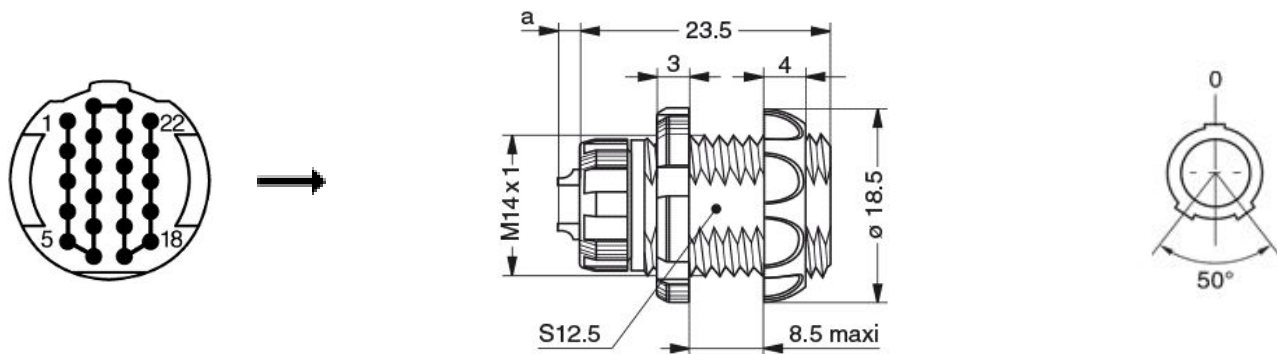
LEMO products and services are provided "as is". LEMO makes no warranties or representations with regard to LEMO product & services or use of them, express, implied or statutory, including for accuracy, completeness, or security. The user is fully responsible for his products and applications using LEMO components.

Test voltage (kV rms) Contact-contact: 0.60
 Air clearance min.: 0.48 mm
 Creepage distance min.: 0.48 mm

Others

Endurance (Shell): >2000 mating cycles
 Temp (min / max): -50°C / +170°C

DRAWINGS



Dimensions

	B	E _{max}	N	a	e
mm.	18.5	8.5	23.5	2.2	M14x1
in.	0,73	0,33	0,93	0,09	

RECOMMENDED BY LEMO

Tools

Cables

CMN.22.T30.054QGZE	TPR (medical)	Grey	
--------------------	---------------	------	---

LEMO products and services are provided "as is". LEMO makes no warranties or representations with regard to LEMO product & services or use of them, express, implied or statutory, including for accuracy, completeness, or security. The user is fully responsible for his products and applications using LEMO components.