

MOUNTING HOLE

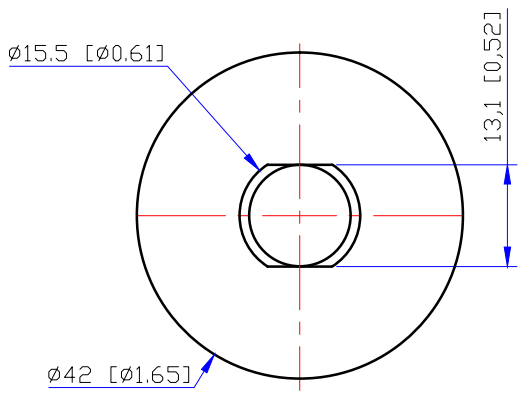
Electrical Properties:

- Frequency Range: 824~960 MHz/1710~1990 MHz
- Impedance: 50W nominal
- VSWR: <2.0:1
- Gain: 2 dBi
- Radiation: Omni
- Polarization: Vertical

Mechanical Properties:

- Cable: J100 Low Loss Coax Cable
- Cable Length: 100 Inches Nominal
- Connector: MMCX Right Angle Plug
- Material:
 - Body: Polycarbonate(Black)
 - Connector: Brass with Gold plating
- Operation Temp.: -20°C to +65°C
- Storage Temp.: -30°C to +75°C

This is a RoHS compliant product.



I - I

TITLE	Muti-Band External Antenna W765 Model	Rev. Date	SHEET
		09/06/18	1 OF 1
UNIT	DWG. NO.	W765FL-100-RMM-AGDP	
mm(In.)			
SCALE	NEARSON		
none			