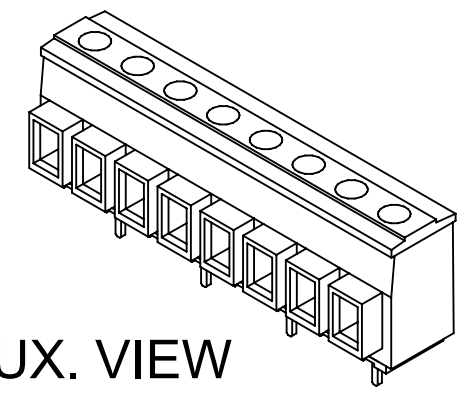
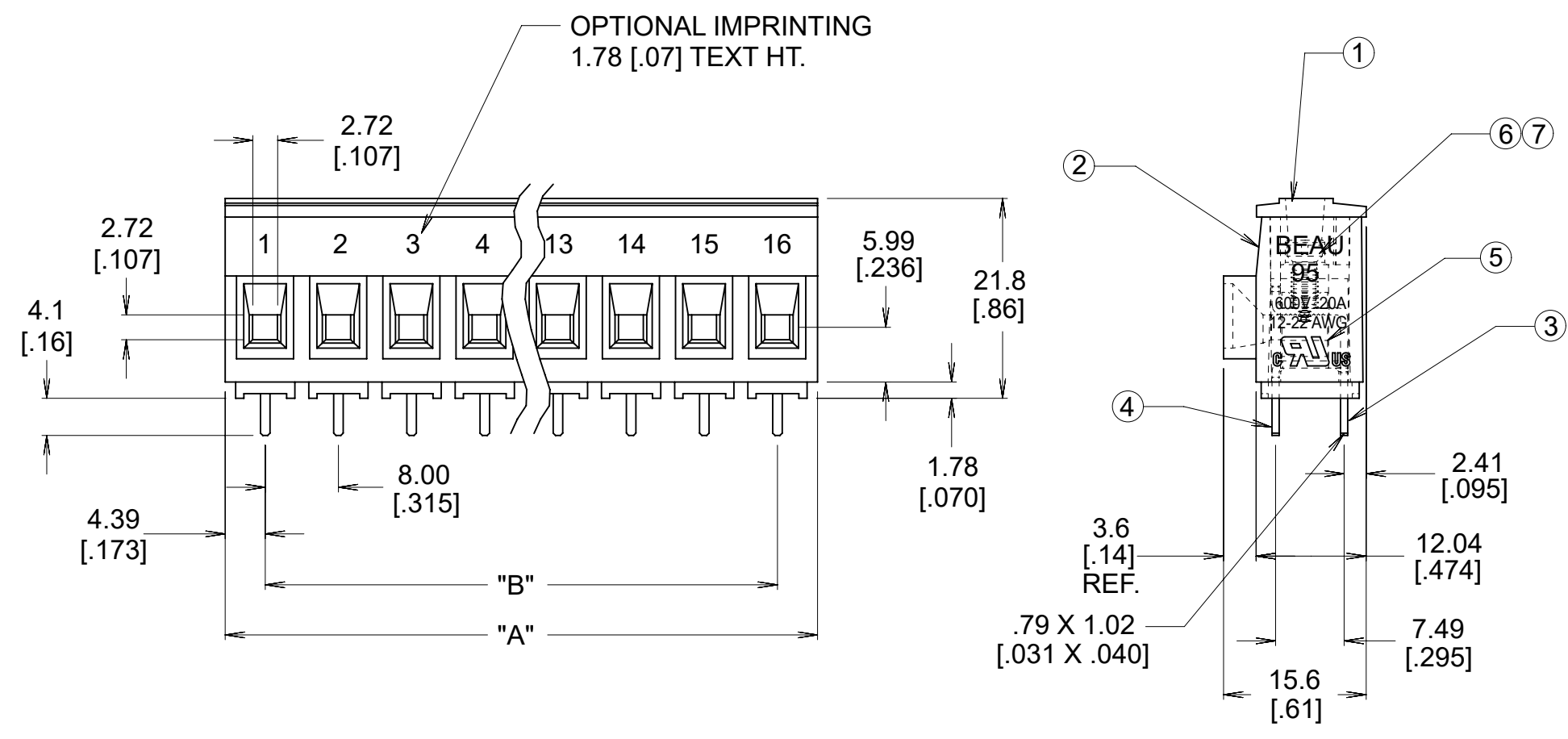
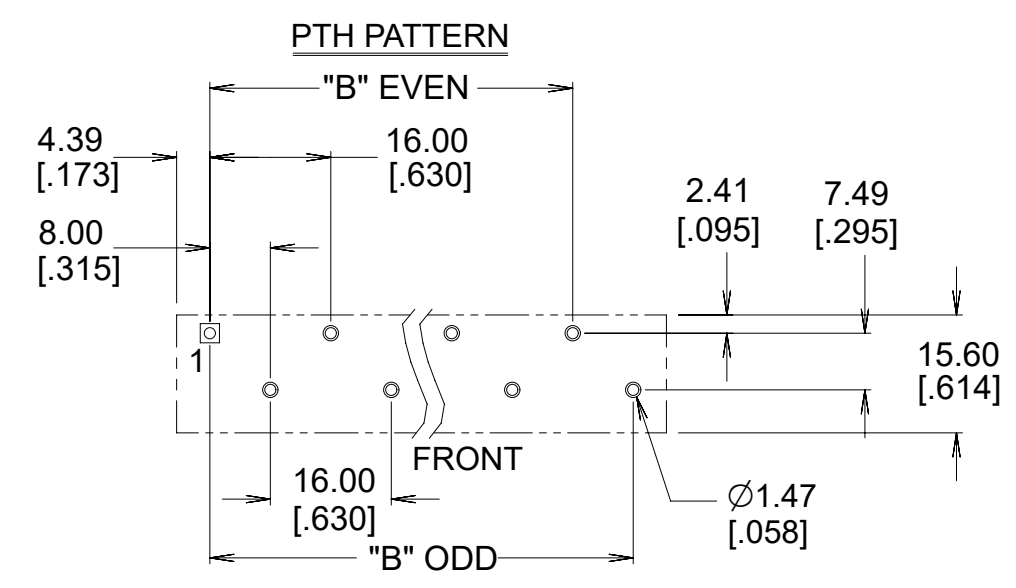
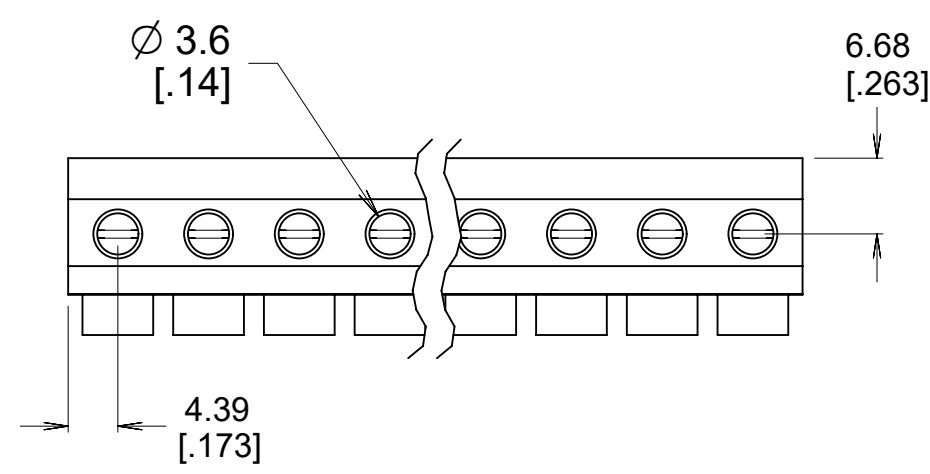


NO. OF CIRCUITS	DIM. "A"		DIM. "B"		ASSEMBLY MATERIAL NO. (STANDARD)	ASSEMBLY MATERIAL NO. (-49 OPT)	ASSEMBLY MATERIAL NO. (-10A OPT)	FRONT TERMINAL QTY.	REAR TERMINAL QTY.
	mm	in	mm	in					
03	24.8	0.98	16.00	0.630	399500103		399520103	1	2
04	32.8	1.29	24.00	0.945		399540104	399520104	2	2
05	40.8	1.61	32.00	1.260		399540105	399520105	2	3
06	48.8	1.92	40.00	1.575		399540106	399520106	3	3
07	56.8	2.24	48.00	1.890		399540107	399520107	3	4
08	64.8	2.55	56.00	2.205			399520108	4	4
09	72.8	2.87	64.00	2.520			399520109	4	5
11	88.8	3.50	80.00	3.150	399500111	399540111	399520111	5	6
13	104.8	4.13	96.00	3.780		399540113	399520113	6	7
14	112.8	4.44	104.00	4.094		399540114	399520114	7	7
15	120.8	4.76	112.00	4.409		399540115	399520115	7	8
16	128.8	5.07	120.00	4.724		399540116	399520116	8	8



AUX. VIEW  
SCALE 1:1



- NOTES:
1. MATERIAL: SEE TABLE
  2. FINISHES: SEE TABLE
  3. INCH DIMS ARE SHOWN IN BRACKETS [XXX].
  4. "XX" REFER TO THE NUMBER OF CIRCUITS.
  5. ALL CREEP DISTANCES FOR UL 1059, CLASS C, 600V GENERAL INDUSTRIAL
  6. FOR USE WITH #22-#12 AWG SOLID AND STRANDED WIRES
  7. TORQUE RATING IS 5 IN-LB. MAX.
  8. PRODUCT PERFORMANCE SPECIFICATION PPS.95.001
  9. ASSEMBLY IS ROHS COMPLIANT.

ITEM	QTY.	DESCRIPTION	MATERIAL	FINISH
7	"XX"	SCREW, M3 X 0.5, -49 OPTION	PHOS. BRONZE	TIN PLATE
6	"XX"	SCREW, M3 X 0.5, STD.	STEEL	ZN, CLEAR CHROMATE
5	"XX"	CAGE CLAMP	BRASS	NICKEL PLATE
4	SEE CHART	FRONT TERMINAL	RED BRASS	TIN PLATE
3	SEE CHART	REAR TERMINAL	RED BRASS	TIN PLATE
2	1	BODY	PBT	BLACK
1	1	CAP	PBT	BLACK

THIS DRAWING CONTAINS INFORMATION THAT IS PROPRIETARY TO MOLEX ELECTRONIC TECHNOLOGIES, LLC AND SHOULD NOT BE USED WITHOUT WRITTEN PERMISSION

DIMENSION UNITS <b>MM/IN</b>	SCALE <b>3:2</b>	CURRENT REV DESC: Obsolete part number as per pcn#512167	<b>molex</b>		
GENERAL TOLERANCES (UNLESS SPECIFIED)		EC NO: 727777			
4 PLACES ±	±	DRWN: SUGEEB 2022/11/07	PRODUCT CUSTOMER DRAWING		
3 PLACES ±	± 0.005	CHK'D: GGA 2022/11/16	DOCUMENT NUMBER		
2 PLACES ±	± 0.13 ± 0.01	APPR: GGA 2022/11/16	SD-39950-001		
1 PLACE ±	± 0.3 ±	INITIAL REVISION:	DOC TYPE	DOC PART	REVISION
0 PLACES ±	±	DRWN: GHR 1998/10/30	PSD	001	J
ANGULAR TOL ± 2.0 °		APPR: L.ROTHAUS 1998/11/02	MATERIAL NUMBER	CUSTOMER	SHEET NUMBER
DRAFT WHERE APPLICABLE MUST REMAIN WITHIN DIMENSIONS	THIRD ANGLE PROJECTION	DRAWING	SEE TABLE	GENERAL MARKET	1 OF 1
		C-SIZE	39950		