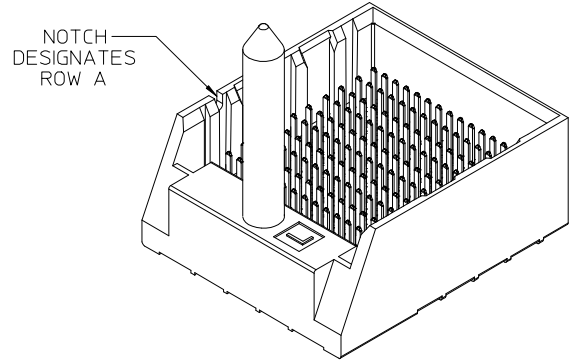
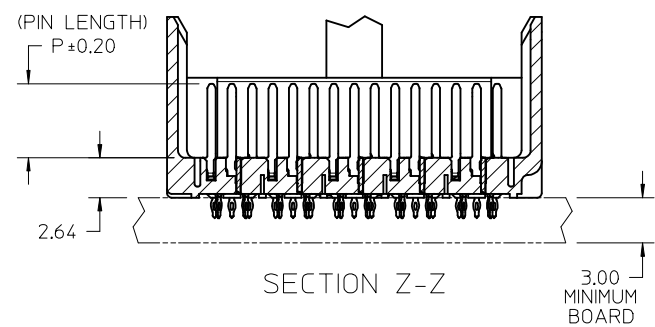


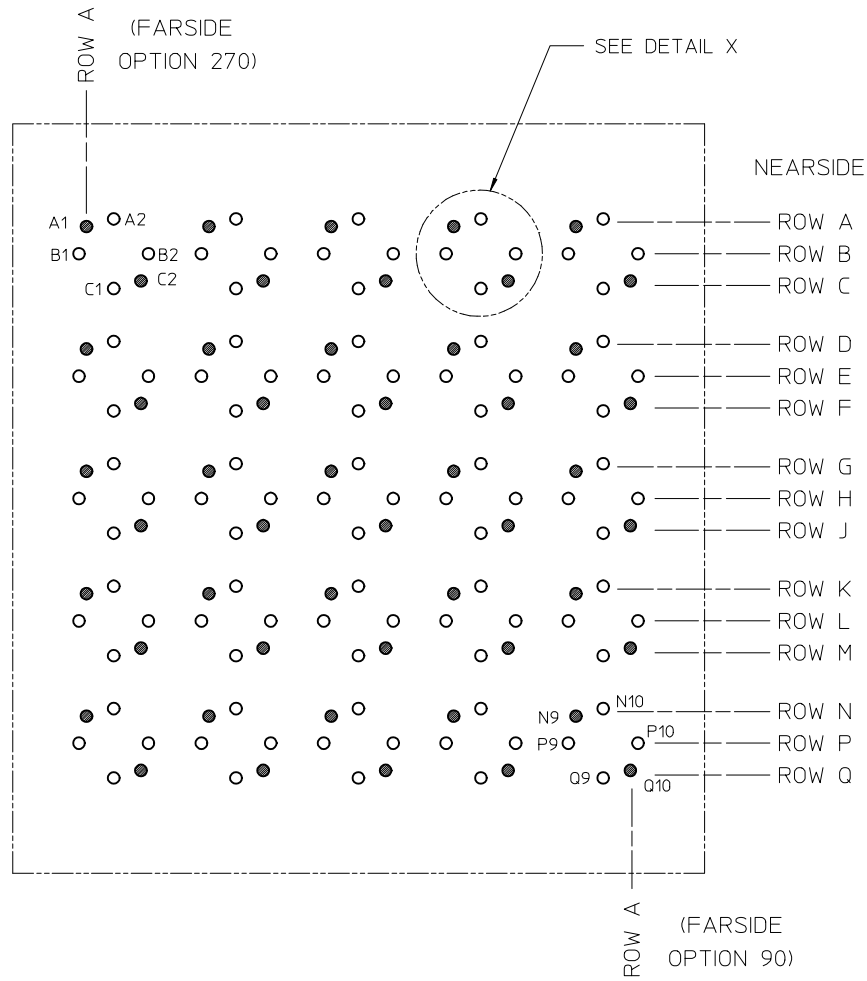
BACKPLANE HOLE PATTERN
(CONNECTOR SIDE)



ENDWALL VERSION SHOWN

- NOTES:
1. MATERIALS: HOUSING - LIQUID CRYSTAL POLYMER (LCP)
GLASS-FILLED, UL94V-0
TERMINALS - HIGH PERFORMANCE COPPER ALLOY
 2. FINISH: 30μ MIN GOLD IN CONTACT AREA.
SELECTIVE MATTE TIN OR (LEAD-FREE) ON PCB TAILS.
NICKEL OVERALL.
 3. REFER TO MOLEX PRODUCT SPECIFICATION PS-76060-999
FOR PERFORMANCE SPECIFICATIONS AND ADDITIONAL PCB INFORMATION.
 4. THIS PART CONFORMS TO CLASS B REQUIREMENTS OF
COSMETIC SPEC PS-45499-002.
 5. PRODUCT IS PACKAGED PER PK-70873-765.
 6. SEE SHEETS 2 THRU 4 FOR PART NUMBERS AND ORTHOGONAL PIN MAPPING.
 7. REFER TO MOLEX SALES DRAWING SD-76990-002 FOR THE MATING RECEPTACLES.
 8. REFER TO MOLEX ROUTING GUIDE AS-76850-990 FOR ADDITIONAL PCB LAYOUT
AND ROUTING RECOMMENDATIONS.
 9. THE KEEP-OUT ZONE FOR THE PART LENGTH INCLUDES AN ADDITIONAL 1.0mm
TO ACCOMMODATE FOR SPACE REQUIRED BY THE DAUGHTERCARD ASSEMBLY.
 10. CONNECTORS ARE SUPPLIED WITH A 2-56 UNC-2A CUSTOM SCREW.
 11. THESE DIMENSIONS REPRESENT THE AREA NEEDED TO ACCOMMODATE CONNECTOR
INSERTION AND REPAIR ON THE PC BOARD. THIS DOES NOT REPRESENT
THE ACTUAL PERIMETER OF THE CONNECTOR.

| | | | | | | | | | | |
|--|--------------------------------------|--|----------------------|----------------------------|----------------------|-------------------------|------------------------|------------------------|--|--|
| INITIAL RELEASE EC NO: UCP2014-2268 DRW:ARI ZV101 2013/03/05 CHKD:TELO 2013/11/22 APPR:TELO 2013/12/04 | QUALITY SYMBOLS ▽=0 ▽=0 ▽=0 | GENERAL TOLERANCES (UNLESS SPECIFIED) | | DIMENSION STYLE MM ONLY | | SCALE 4:1 | DESIGN UNITS METRIC | THIRD ANGLE PROJECTION | | |
| | | 4 PLACES ± --- ± --- | 3 PLACES ± --- ± --- | 2 PLACES ± 0.13 ± --- | 1 PLACE ± 0.25 ± --- | 0 PLACE ± ± | DRAWN BY ARIZV101 | | DATE 2013/03/05 | |
| | | ANGULAR ±1/2° | | MATERIAL NO. SEE CHART | | APPROVED BY JMENDOZA | | DATE 2013/11/22 | TITLE IMPACT 5 PAIR HEADER ORTHOGONAL ASSEMBLY GUIDE LEFT SALES DRAWING | |
| | | DRAFT WHERE APPLICABLE MUST REMAIN WITHIN DIMENSIONS | | SIZE C | | TELO | | DATE 2013/12/04 | DOCUMENT NO. SD-171884-0002 | |
| A | REV | THIS DRAWING CONTAINS INFORMATION THAT IS PROPRIETARY TO MOLEX INCORPORATED AND SHOULD NOT BE USED WITHOUT WRITTEN PERMISSION | | | | | | | | |
| | | | | | | SHEET NO. 1 OF 4 | | | | |



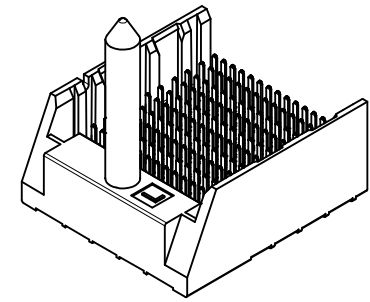
| MATERIAL NUMBER | # OF COLUMNS | # OF DIFF PAIR | MODULE TYPE | DIM A | DIM B | DIM C |
|-----------------|--------------|----------------|--------------|-------|-------|-------|
| 171884-*80* | 8 | 40 | NO ENDWALL | 22.9 | 14.05 | 14.45 |
| 171884-*80* | 8 | 40 | WITH ENDWALL | 24.3 | 14.05 | 14.45 |
| 171884-*10* | 10 | 50 | NO ENDWALL | 27.0 | 18.10 | 18.50 |
| 171884-*10* | 10 | 50 | WITH ENDWALL | 28.4 | 18.10 | 18.50 |
| 171884-*20* | 12 | 60 | NO ENDWALL | 31.0 | 22.15 | 22.55 |
| 171884-*20* | 12 | 60 | WITH ENDWALL | 32.4 | 22.15 | 22.55 |

171884-*x*0*

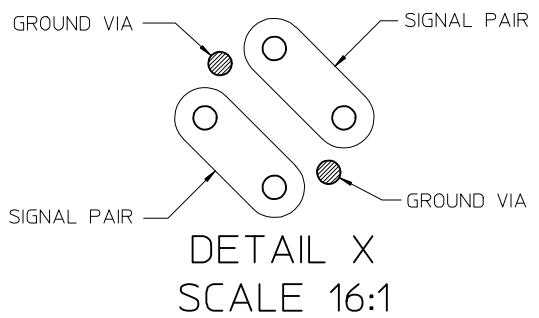
MODULE & TAIL PLATING TYPE
 3 = GUIDE LEFT NO ENDWALL, TIN
 7 = GUIDE LEFT ENDWALL, TIN

PIN LENGTH (P)
 4 = 4.90 (0.46 PTH)
 5 = 5.50 (0.46 PTH)
 7 = 4.90 (0.39 PTH)
 8 = 5.50 (0.39 PTH)

OF COLUMNS
 8 = 8 COLUMN
 1 = 10 COLUMN
 2 = 12 COLUMN



MIDPLANE PCB LAYOUT
SCALE 8:1



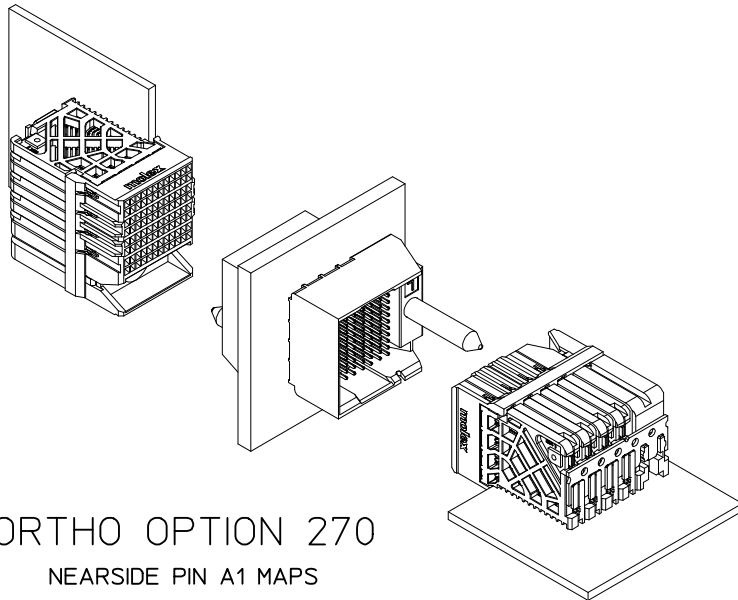
| | | | | | | | | | | |
|--|----------|---|--------------------------------------|---------------------------------------|------|----------------------------|--------------------|---|--------------------------------|------------------------|
| SEE SHEET 1 EC NO: UCP2014-2268 DRW:ARIZV101 CHKD:TELO APPR:TELO | REV A | DESCRIPTION 2013/03/05 2013/11/22 2013/12/04 | QUALITY SYMBOLS ▽=0 ▽=0 ▽=0 | GENERAL TOLERANCES (UNLESS SPECIFIED) | | DIMENSION STYLE MM ONLY | | SCALE 3:1 | DESIGN UNITS METRIC | THIRD ANGLE PROJECTION |
| | | | | mm | INCH | DRAWN BY ARIZV101 | DATE 2013/03/05 | TITLE IMPACT 5 PAIR HEADER ORTHOGONAL ASSEMBLY GUIDE LEFT SALES DRAWING | DOCUMENT NO. SD-171884-0002 | SHEET NO. 2 OF 4 |
| DRAFT WHERE APPLICABLE MUST REMAIN WITHIN DIMENSIONS | | | | ANGULAR ±1/2° | | MATERIAL NO. SEE CHART | | THIS DRAWING CONTAINS INFORMATION THAT IS PROPRIETARY TO MOLEX INCORPORATED AND SHOULD NOT BE USED WITHOUT WRITTEN PERMISSION | | |

ORTHO PIN MAPPING

OPTION 270 (NEARSIDE - FAR SIDE)

| | | | | | | | | | |
|---------|----------|---------|----------|---------|----------|---------|----------|---------|-----------|
| (A1-A1) | A2-B1 | (A3-D1) | A4-E1 | (A5-G1) | A6-H1 | (A7-K1) | A8-L1 | (A9-N1) | A10-P1 |
| B1-A2 | B2-C1 | B3-D2 | B4-F1 | B5-G2 | B6-J1 | B7-K2 | B8-M1 | B9-N2 | B10-O1 |
| C1-B2 | (C2-C2) | C3-E2 | (C4-F2) | C5-H2 | (C6-J2) | C7-L2 | (C8-M2) | C9-P2 | (C10-Q2) |
| (D1-A3) | D2-B3 | (D3-D3) | D4-E3 | (D5-G3) | D6-H3 | (D7-K3) | D8-L3 | (D9-N3) | D10-P3 |
| E1-A4 | E2-C3 | E3-D4 | E4-F3 | E5-G4 | E6-J3 | E7-K4 | E8-M3 | E9-N4 | E10-Q3 |
| F1-B4 | (F2-C4) | F3-E4 | (F4-F4) | F5-H4 | (F6-J4) | F7-L4 | (F8-M4) | F9-P4 | (F10-Q4) |
| (G1-A5) | G2-B5 | (G3-D5) | G4-E5 | (G5-G5) | G6-H5 | (G7-K5) | G8-L5 | (G9-N5) | G10-P5 |
| H1-A6 | H2-C5 | H3-D6 | H4-F5 | H5-G6 | H6-J5 | H7-K6 | H8-M5 | H9-N6 | H10-Q5 |
| J1-B6 | (J2-C6) | J3-E6 | (J4-F6) | J5-H6 | (J6-J6) | J7-L6 | (J8-M6) | J9-P6 | (J10-Q6) |
| (K1-A7) | K2-B7 | (K3-D7) | K4-E7 | (K5-G7) | K6-H7 | (K7-K7) | K8-L7 | (K9-N7) | K10-P7 |
| L1-A8 | L2-C7 | L3-D8 | L4-F7 | L5-G8 | L6-J7 | L7-K8 | L8-M7 | L9-N8 | L10-Q7 |
| M1-B8 | (M2-C8) | M3-E8 | (M4-F8) | M5-H8 | (M6-J8) | M7-L8 | (M8-M8) | M9-P8 | (M10-Q8) |
| (N1-A9) | N2-B9 | (N3-D9) | N4-E9 | (N5-G9) | N6-H9 | (N7-K9) | N8-L9 | (N9-N9) | N10-P9 |
| P1-A10 | P2-C9 | P3-D10 | P4-F9 | P5-G10 | P6-J9 | P7-K10 | P8-M9 | P9-N10 | P10-Q9 |
| Q1-B10 | (Q2-C10) | Q3-E10 | (Q4-F10) | Q5-H10 | (Q6-J10) | Q7-L10 | (Q8-M10) | Q9-P10 | (Q10-Q10) |

NOTE: PINOUTS SHOWN IN BALLOONS ARE GROUNDS.
PINOUTS SHOWN ARE FOR SQUARE (10 COLUMN) PATTERN ONLY.



ORTHO OPTION 270

NEARSIDE PIN A1 MAPS
TO FAR SIDE PIN A1

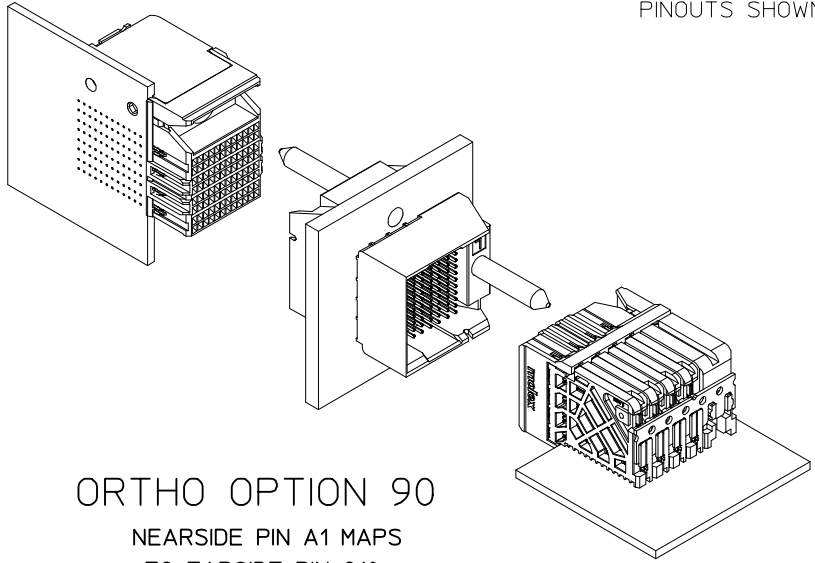
| | | | | | | | | | | |
|--|--|--|--------------------------------------|---------------------------------------|---|-----------------------------------|--------------------|--|-------------------------------|------------------------|
| SEE SHEET 1 EC NO: UCP2014-2268 DRWN: ARIZV101 CHKD: TELO APPR: TELO | 2013/03/05 2013/11/22 2013/12/04 | DESCRIPTION REV A | QUALITY SYMBOLS ▽=0 ▽=0 ▽=0 | GENERAL TOLERANCES (UNLESS SPECIFIED) | | DIMENSION STYLE MM ONLY | | SCALE 8:1 | DESIGN UNITS METRIC | THIRD ANGLE PROJECTION |
| | | | | mm | INCH | DRAWN BY ARIZV101 | DATE 2013/03/05 | TITLE IMPACT 5 PAIR HEADER ORTHOGONAL ASSEMBLY GUIDE LEFT SALES DRAWING DOCUMENT NO. SD-171884-0002 | | |
| | | | | 4 PLACES ± --- | ± --- | CHECKED BY JMENDOZA | DATE 2013/11/22 | | | |
| | | | | 3 PLACES ± --- | ± --- | APPROVED BY TELO | DATE 2013/12/04 | | | |
| 2 PLACES ± 0.13 | ± --- | MATERIAL NO. SEE CHART | | | | | | | | |
| 1 PLACE ± 0.25 | ± --- | ANGULAR ±1/2° | | SIZE C | THIS DRAWING CONTAINS INFORMATION THAT IS PROPRIETARY TO MOLEX INCORPORATED AND SHOULD NOT BE USED WITHOUT WRITTEN PERMISSION | | | | | |
| 0 PLACE ± | ± | DRAFT WHERE APPLICABLE MUST REMAIN WITHIN DIMENSIONS | | SHEET NO. 3 OF 4 | | | | | | |

ORTHO PIN MAPPING

OPTION 90 (NEAR SIDE - FAR SIDE)

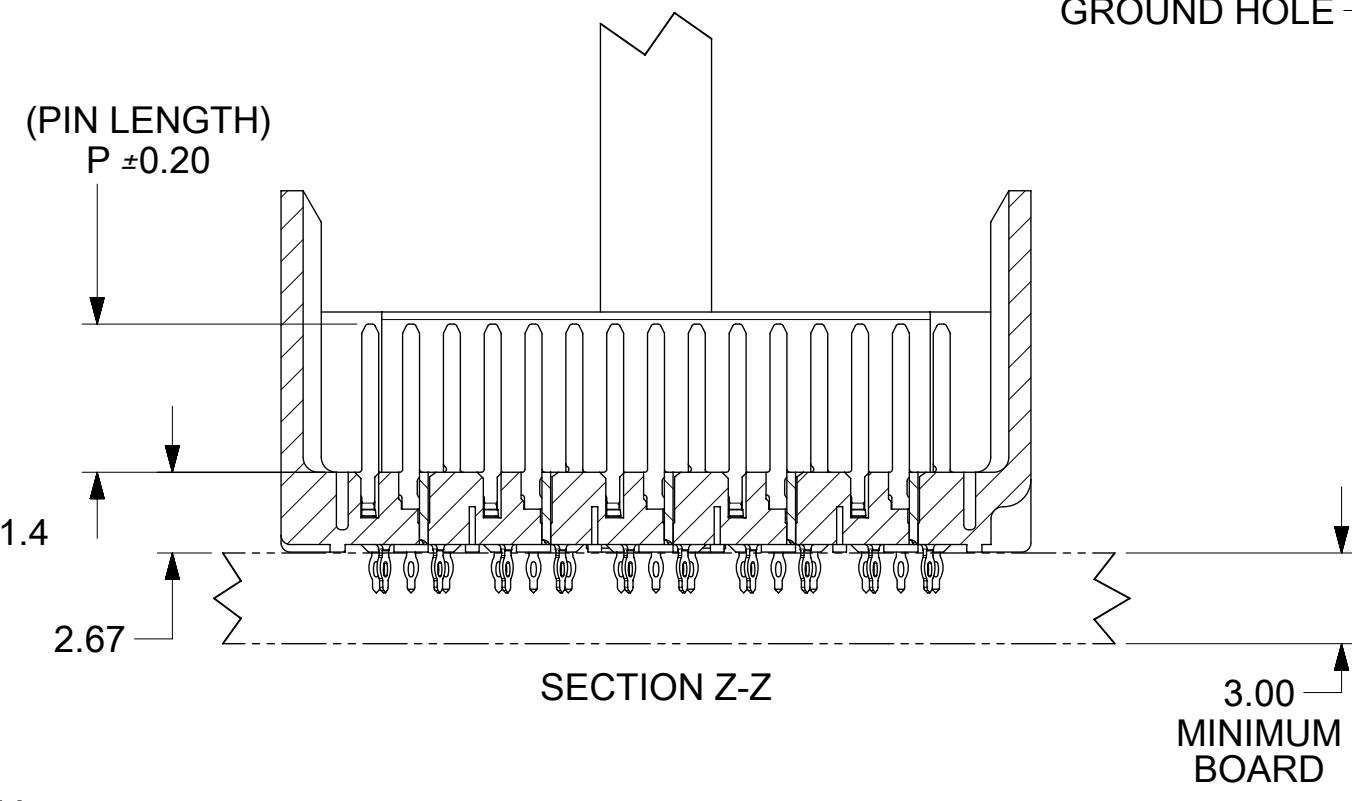
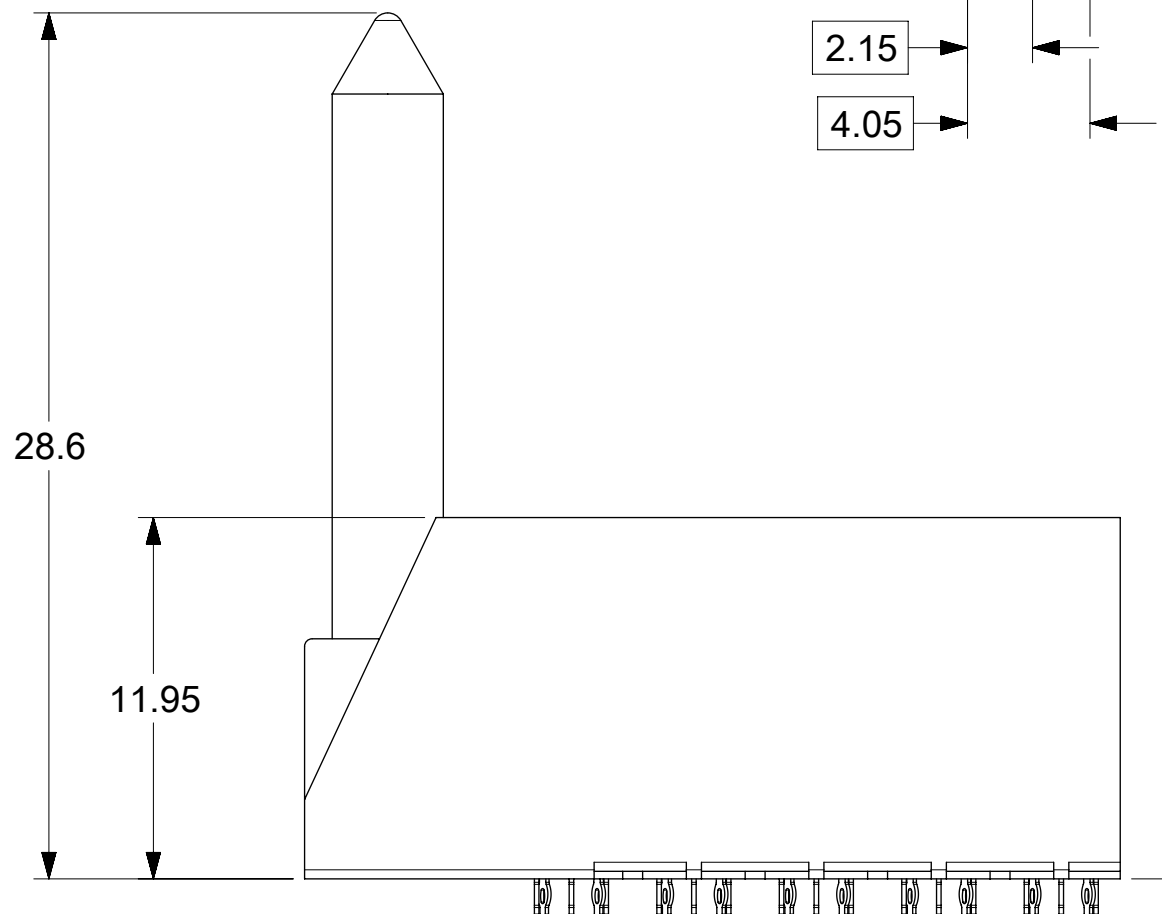
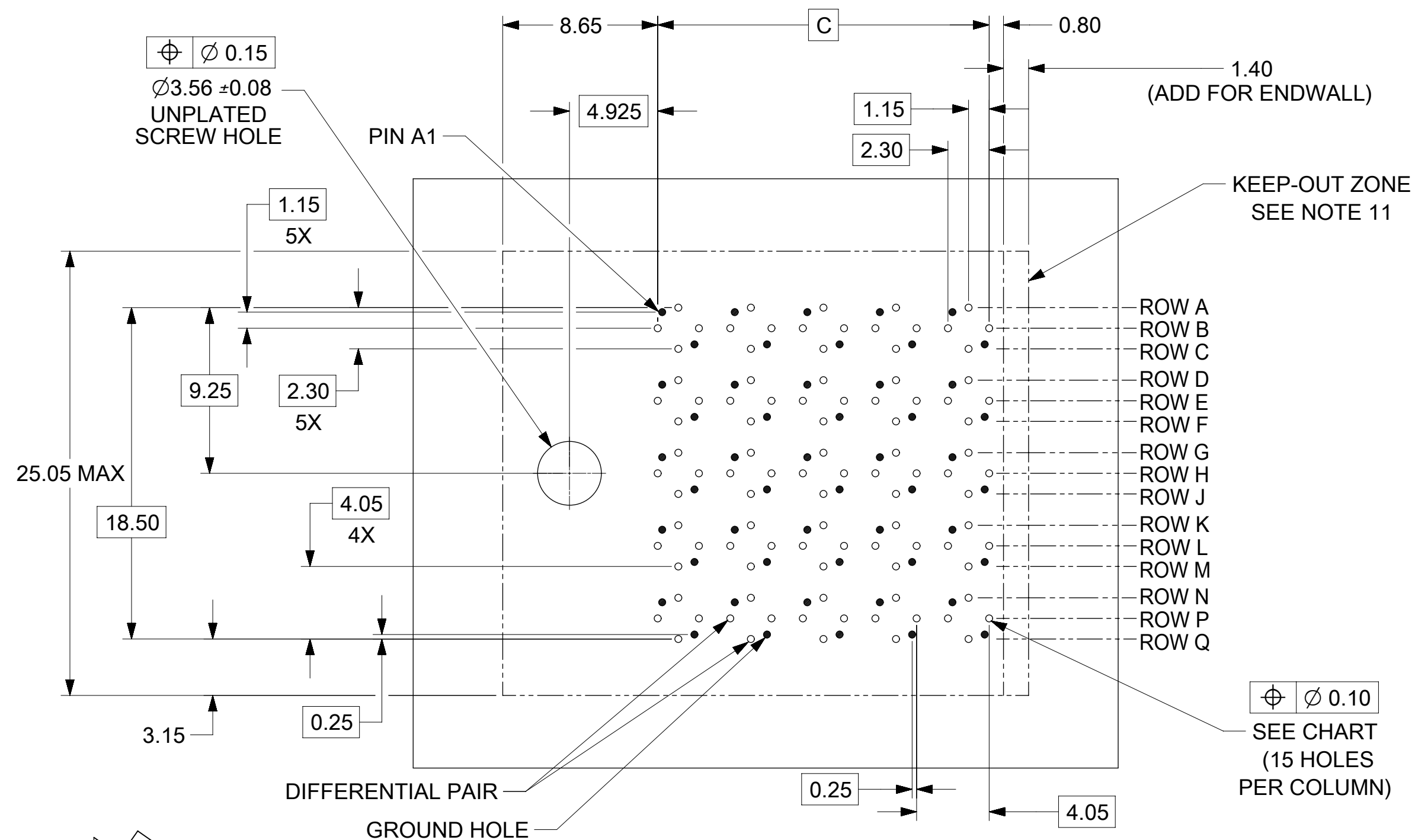
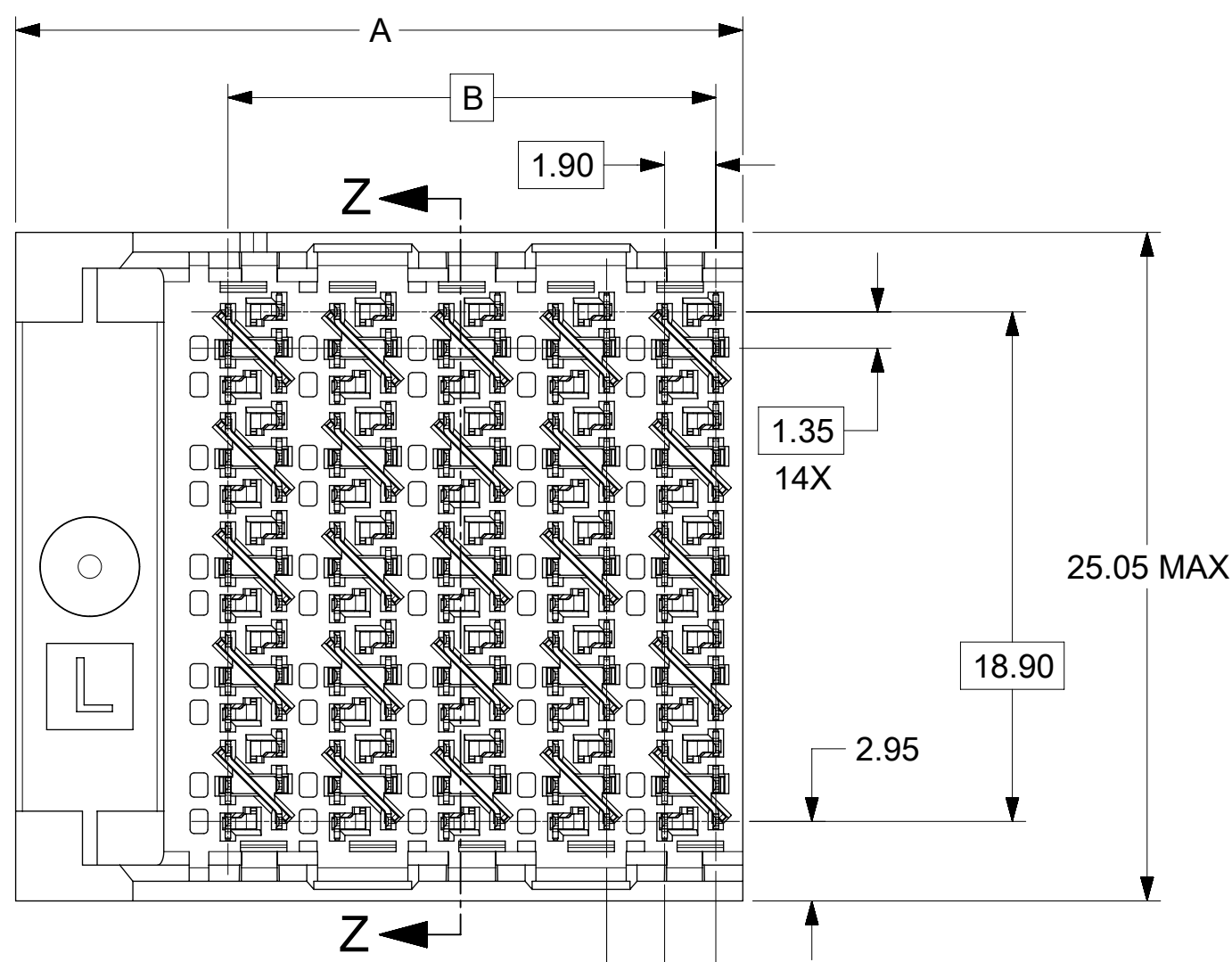
| | | | | | | | | | |
|----------|---------|----------|---------|----------|---------|----------|---------|----------|----------|
| (A1-Q10) | A2-P10 | (A3-M10) | A4-L10 | (A5-J10) | A6-H10 | (A7-F10) | A8-E10 | (A9-C10) | A10-B10 |
| B1-O9 | B2-N10 | B3-M9 | B4-K10 | B5-J9 | B6-G10 | B7-F9 | B8-D10 | B9-C9 | B10-A10 |
| C1-P9 | (C2-N9) | C3-L9 | (C4-K9) | C5-H9 | (C6-G9) | C7-E9 | (C8-D9) | C9-B9 | (C10-A9) |
| (D1-Q8) | D2-P8 | (D3-M8) | D4-L8 | (D5-J8) | D6-H8 | (D7-F8) | D8-E8 | (D9-C8) | D10-B8 |
| E1-O7 | E2-N8 | E3-M7 | E4-K8 | E5-J7 | E6-G8 | E7-F7 | E8-D8 | E9-C7 | E10-A8 |
| F1-P7 | (F2-N7) | F3-L7 | (F4-K7) | F5-H7 | (F6-G7) | F7-E7 | (F8-D7) | F9-B7 | (F10-A7) |
| (G1-Q6) | G2-P6 | (G3-M6) | G4-L6 | (G5-J6) | G6-H6 | (G7-F6) | G8-E6 | (G9-C6) | G10-B6 |
| H1-O5 | H2-N6 | H3-M5 | H4-K6 | H5-J5 | H6-G6 | H7-F5 | H8-D6 | H9-C5 | H10-A6 |
| J1-P5 | (J2-N5) | J3-L5 | (J4-K5) | J5-H5 | (J6-G5) | J7-E5 | (J8-D5) | J9-B5 | (J10-A5) |
| (K1-Q4) | K2-P4 | (K3-M4) | K4-L4 | (K5-J4) | K6-H4 | (K7-F4) | K8-E4 | (K9-C4) | K10-B4 |
| L1-O3 | L2-N4 | L3-M3 | L4-K4 | L5-J3 | L6-G4 | L7-F3 | L8-D4 | L9-C3 | L10-A4 |
| M1-P3 | (M2-N3) | M3-L3 | (M4-K3) | M5-H3 | (M6-G3) | M7-E3 | (M8-D3) | M9-B3 | (M10-A3) |
| (N1-Q2) | N2-P2 | (N3-M2) | N4-L2 | (N5-J2) | N6-H2 | (N7-F2) | N8-E2 | (N9-C2) | N10-B2 |
| P1-O1 | P2-N2 | P3-M1 | P4-K2 | P5-J1 | P6-G2 | P7-F1 | P8-D2 | P9-C1 | P10-A2 |
| Q1-P1 | (Q2-N1) | Q3-L1 | (Q4-K1) | Q5-H1 | (Q6-G1) | Q7-E1 | (Q8-D1) | Q9-B1 | (Q10-A1) |

NOTE: PINOUTS SHOWN IN BALLOONS ARE GROUNDS.
 PINOUTS SHOWN ARE FOR SQUARE (10 COLUMN) PATTERN ONLY.

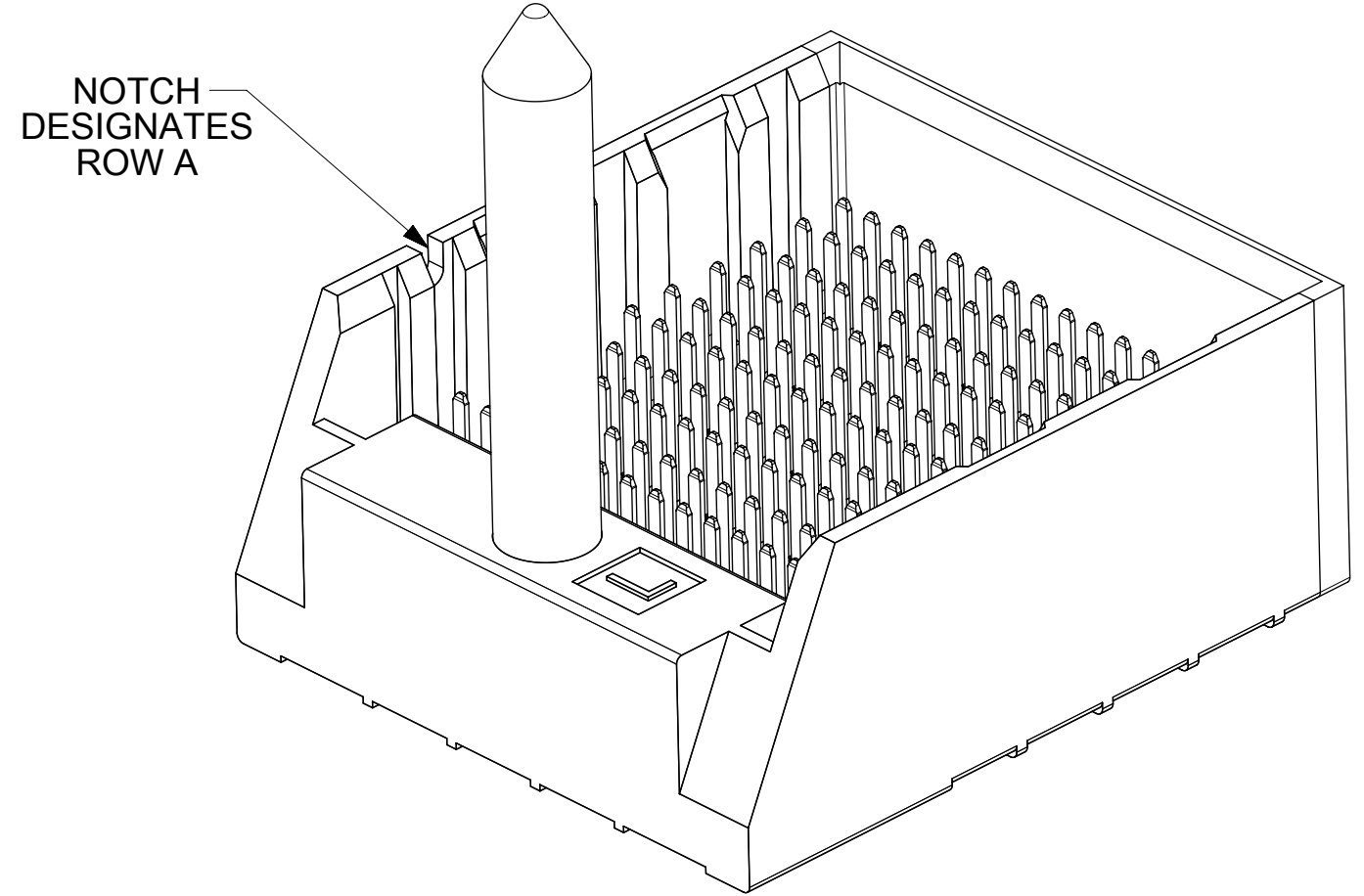


ORTHO OPTION 90
 NEAR SIDE PIN A1 MAPS
 TO FAR SIDE PIN Q10
 (FOR SQUARE PATTERN)

| | | | | | | | | | | |
|--|--------------------------------------|---------------------------------------|---------------|----------------------------|--|--------------------|--|------------------------|--|--|
| SEE SHEET 1 EC NO: UCP2014-2268 DRWN: ARIZV101 CHKD: TELO APPR: TELO 2013/03/05 2013/11/22 2013/12/04 | QUALITY SYMBOLS ▽=0 ▽=0 ▽=0 | GENERAL TOLERANCES (UNLESS SPECIFIED) | | DIMENSION STYLE MM ONLY | | SCALE 4:1 | DESIGN UNITS METRIC | THIRD ANGLE PROJECTION | | |
| | | 4 PLACES | ± --- | ± --- | DRAWN BY ARIZV101 | DATE 2013/03/05 | TITLE IMPACT 5 PAIR HEADER ORTHOGONAL ASSEMBLY GUIDE LEFT SALES DRAWING molex | | | |
| | | 3 PLACES | ± --- | ± --- | CHECKED BY JMENDOZA | DATE 2013/11/22 | | | | |
| | | 2 PLACES | ± 0.13 | ± --- | APPROVED BY TELO | DATE 2013/12/04 | DOCUMENT NO. SD-171884-0002 SHEET NO. 4 OF 4 | | | |
| | | 1 PLACE | ± 0.25 | ± --- | MATERIAL NO. SEE CHART | | | | | |
| 0 PLACE | ± | ± | ANGULAR ±1/2° | | THIS DRAWING CONTAINS INFORMATION THAT IS PROPRIETARY TO MOLEX INCORPORATED AND SHOULD NOT BE USED WITHOUT WRITTEN PERMISSION | | | | | |



**BACKPLANE HOLE PATTERN
(CONNECTOR SIDE)**



ENDWALL VERSION SHOWN

- NOTES:**
1. MATERIALS: HOUSING - LIQUID CRYSTAL POLYMER (LCP)
GLASS-FILLED, UL94V-0
TERMINALS - HIGH PERFORMANCE COPPER ALLOY
 2. FINISH: 30μ MIN GOLD IN CONTACT AREA.
SELECTIVE TIN OR TIN-LEAD ON PCB TAILS.
NICKEL OVERALL.
 3. REFER TO MOLEX PRODUCT SPECIFICATION PS-76060-999
FOR PERFORMANCE SPECIFICATIONS AND ADDITIONAL PCB INFORMATION.
 4. THIS PART CONFORMS TO CLASS B REQUIREMENTS OF
COSMETIC SPEC PS-45499-002.
 5. PRODUCT IS PACKAGED PER PK-70873-765.
 6. SEE SHEETS 2 THRU 4 FOR PART NUMBERS AND ORTHOGONAL PIN MAPPING.
 7. REFER TO MOLEX SALES DRAWING SD-76990-002 FOR THE MATING RECEPTACLES.
 8. REFER TO MOLEX ROUTING GUIDE AS-76850-990 FOR ADDITIONAL PCB LAYOUT
AND ROUTING RECOMMENDATIONS.
 9. THE KEEP-OUT ZONE FOR THE PART LENGTH INCLUDES AN ADDITIONAL 1.0mm
TO ACCOMMODATE FOR SPACE REQUIRED BY THE DAUGHTERCARD ASSEMBLY.
 10. CONNECTORS ARE SUPPLIED WITH A 2-56 UNC-2A SCREW.
 11. "THESE DIMENSIONS REPRESENT THE AREA NEEDED TO ACCOMODATE CONNECTOR
INSERTION AND REPAIR ON THE PC BOARD. THIS DOES NOT REPRESENT
THE ACTUAL PERIMETER OF THE CONNECTOR."

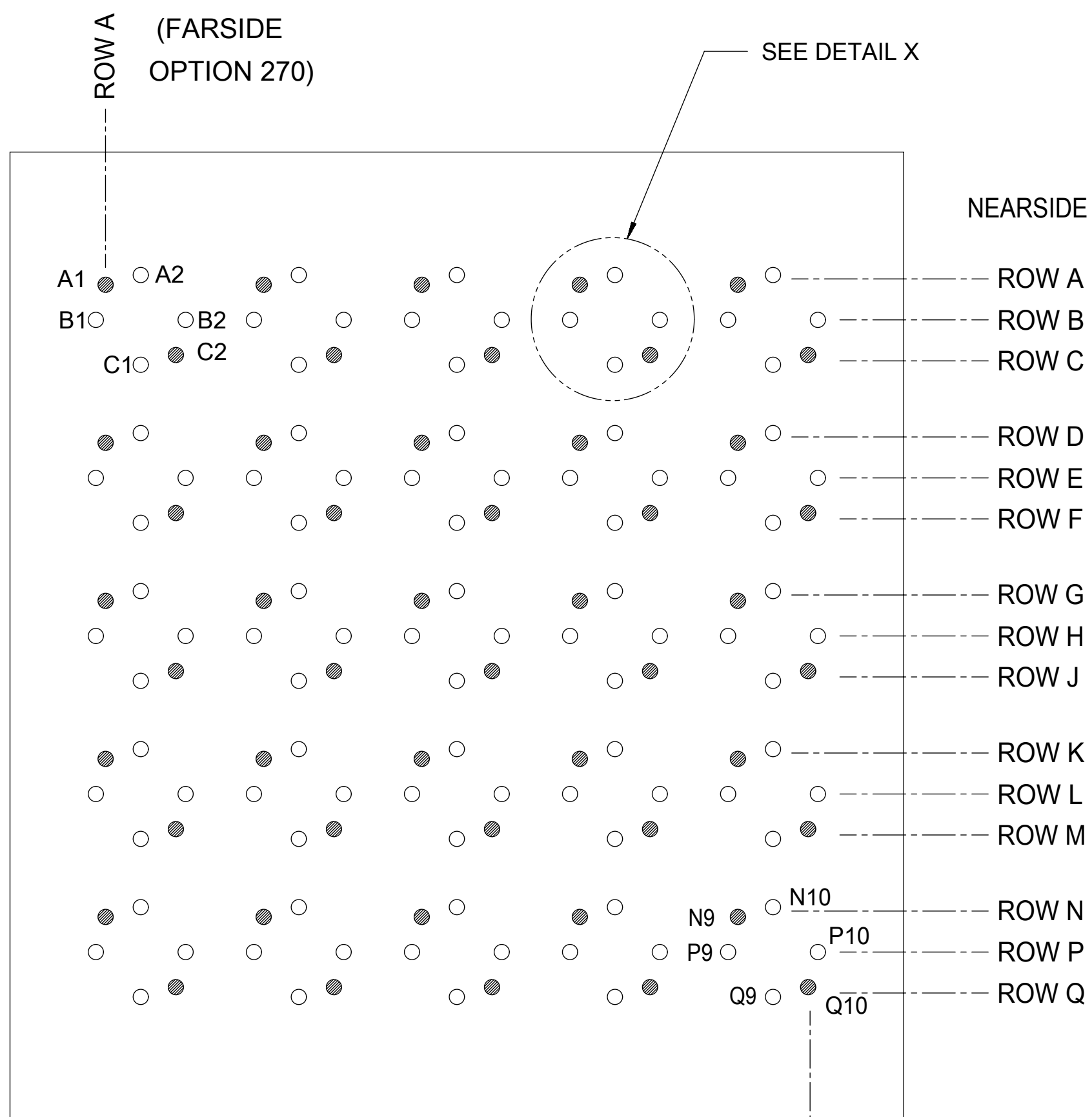
| | | | | | | | | | |
|---|--|--------|--|----------------------------------|--|---------|--|--------------------------------|--|
| THIS DRAWING CONTAINS INFORMATION THAT IS PROPRIETARY TO MOLEX ELECTRONIC TECHNOLOGIES, LLC AND SHOULD NOT BE USED WITHOUT WRITTEN PERMISSION | | | | | | | | | |
| DIMENSION UNITS | | SCALE | | CURRENT REV DESC: MIGRATED TO NX | | | | | |
| mm | | 4:1 | | | | | | | |
| GENERAL TOLERANCES (UNLESS SPECIFIED) | | | | EC NO: 609931 | | | | | |
| ANGULAR TOL | | ± 0.5° | | 4 PLACES | | ± | | DRWN: JKUMARSARAFS 2018/10/18 | |
| 3 PLACES | | ± | | 3 PLACES | | ± | | CHK'D: RSHIVANANDKE 2019/01/02 | |
| 2 PLACES | | ± 0.13 | | 2 PLACES | | ± | | APPR: CWANG25 2019/01/11 | |
| 1 PLACE | | ± 0.25 | | 0 PLACES | | ± | | INITIAL REVISION: | |
| 0 PLACES | | ± | | DRWN: JLAURX | | 4/28/09 | | APPR: JLBINGHAM 2010/01/14 | |
| DRAFT WHERE APPLICABLE MUST REMAIN WITHIN DIMENSIONS | | | | THIRD ANGLE PROJECTION | | DRAWING | | SERIES | |
| | | | | C-SIZE | | 76985 | | MATERIAL NUMBER | |
| | | | | C-SIZE | | 76985 | | CUSTOMER | |
| | | | | C-SIZE | | 76985 | | SEE CHART | |
| | | | | C-SIZE | | 76985 | | GENERAL MARKET | |
| | | | | C-SIZE | | 76985 | | SHEET NUMBER | |
| | | | | C-SIZE | | 76985 | | 1 OF 4 | |



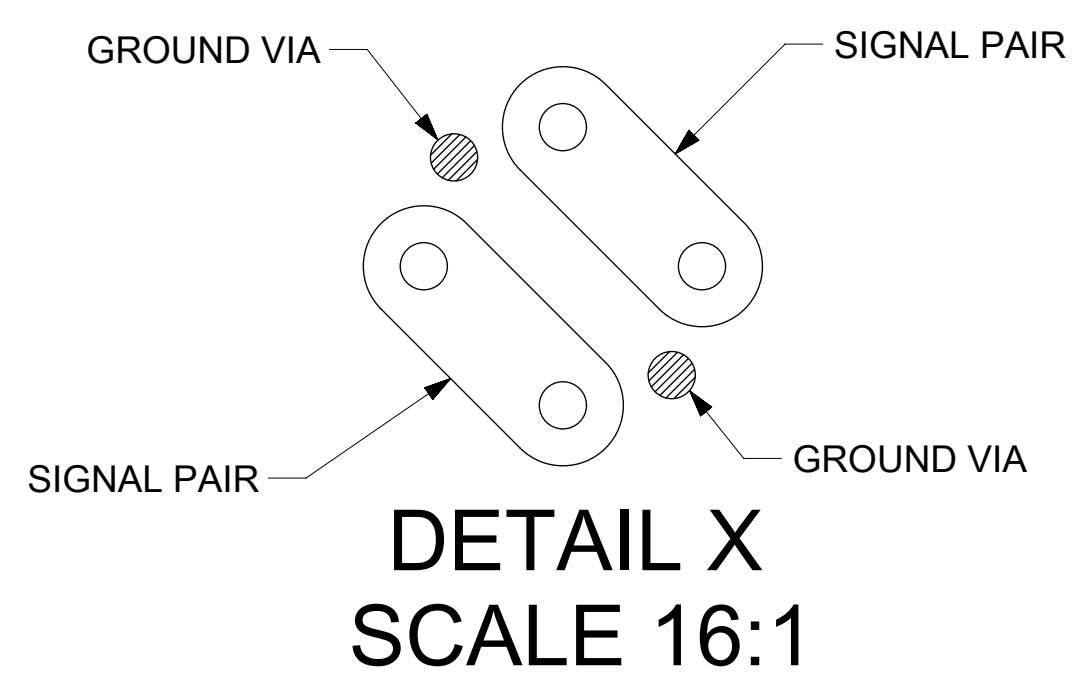
IMPACT 5 PAIR HEADER
ORTHOGONAL ASSEMBLY GUIDE LEFT SALES
DRAWING

PRODUCT CUSTOMER DRAWING

| | | | |
|-----------------|----------|----------|----------|
| DOCUMENT NUMBER | DOC TYPE | DOC PART | REVISION |
| SD-76985-002 | PSD | 001 | E1 |



MIDPLANE PCB LAYOUT
SCALE 8:1



DETAIL X
SCALE 16:1

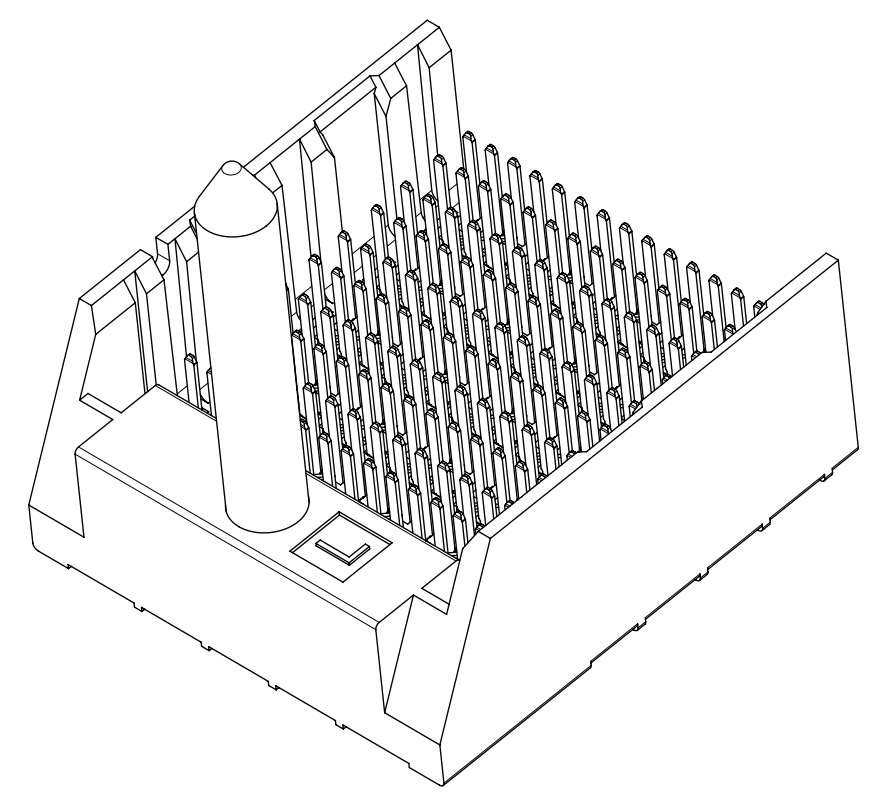
| MATERIAL NUMBER | # OF COLUMNS | # OF DIFF PAIR | MODULE TYPE | DIM A | DIM B | DIM C |
|-----------------|--------------|----------------|--------------|-------|-------|-------|
| 76985-*80* | 8 | 40 | NO ENDWALL | 22.9 | 14.05 | 14.45 |
| 76985-*80* | 8 | 40 | WITH ENDWALL | 24.3 | 14.05 | 14.45 |
| 76985-*10* | 10 | 50 | NO ENDWALL | 27.0 | 18.10 | 18.50 |
| 76985-*10* | 10 | 50 | WITH ENDWALL | 28.4 | 18.10 | 18.50 |
| 76985-*20* | 12 | 60 | NO ENDWALL | 31.0 | 22.15 | 22.55 |
| 76985-*20* | 12 | 60 | WITH ENDWALL | 32.4 | 22.15 | 22.55 |

76985- * * 0 *

MODULE & TAIL PLATING TYPE
 2 = GUIDE LEFT NO ENDWALL, TIN/LEAD
 3 = GUIDE LEFT NO ENDWALL, TIN
 6 = GUIDE LEFT ENDWALL, TIN/LEAD
 7 = GUIDE LEFT ENDWALL, TIN

PIN LENGTH (P)
 4 = 4.90 (0.46 PTH)
 5 = 5.50 (0.46 PTH)
 7 = 4.90 (0.39 PTH)
 8 = 5.50 (0.39 PTH)

OF COLUMNS
 8 = 8 COLUMNS
 1 = 10 COLUMNS
 2 = 12 COLUMNS



OPEN END OPTION

THIS DRAWING CONTAINS INFORMATION THAT IS PROPRIETARY TO MOLEX ELECTRONIC TECHNOLOGIES, LLC AND SHOULD NOT BE USED WITHOUT WRITTEN PERMISSION

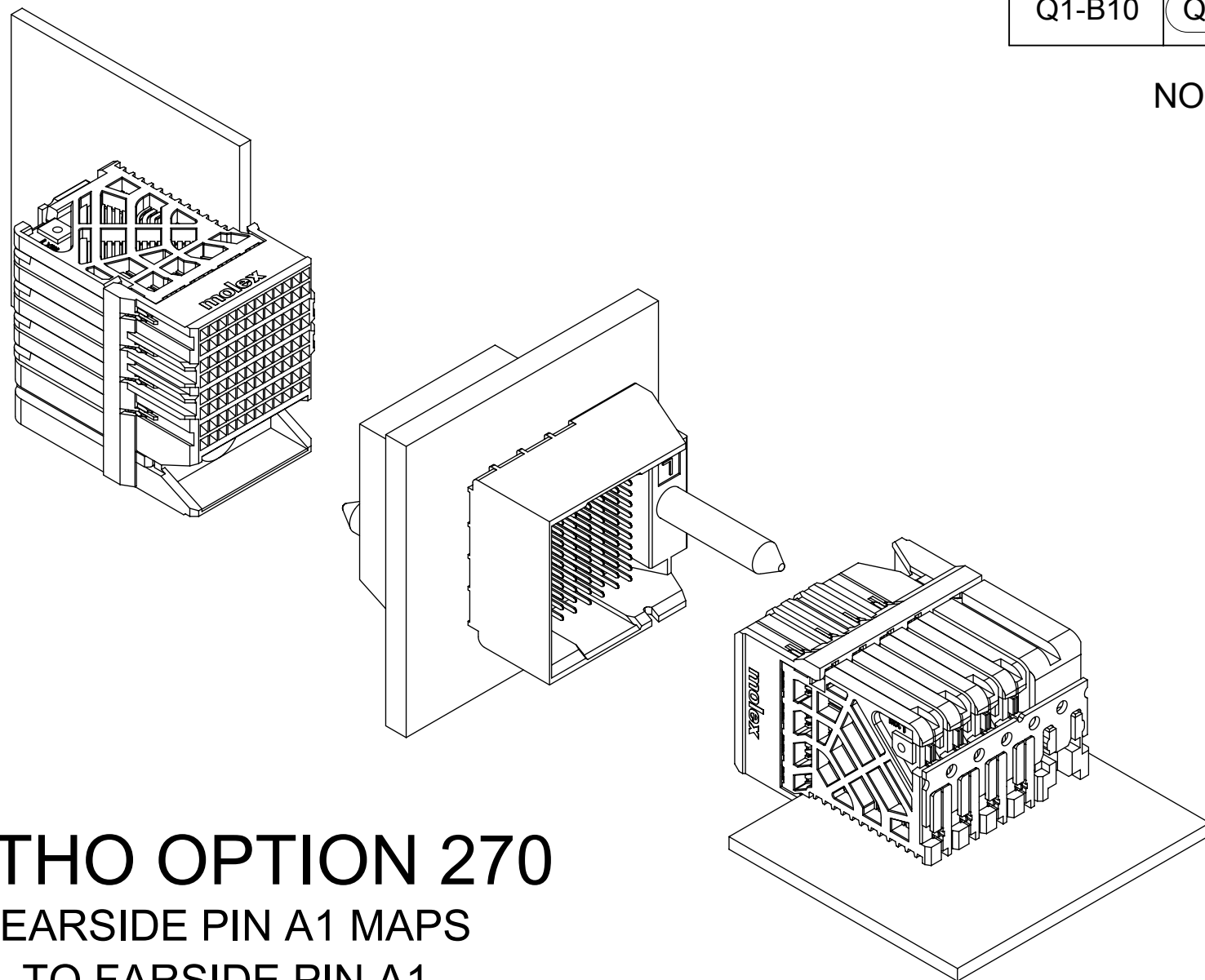
| | | | | | |
|--|------------------------|--|------------------------------|----------------------------|------------------------|
| DIMENSION UNITS mm | SCALE 3:1 | CURRENT REV DESC: MIGRATED TO NX | molex | | |
| GENERAL TOLERANCES (UNLESS SPECIFIED) | | EC NO: 609931 | | | |
| ANGULAR TOL ± 0.5° | 4 PLACES ± | DRWN: JKUMARSARAFS 2018/10/18 | PRODUCT CUSTOMER DRAWING | | |
| 3 PLACES ± | 2 PLACES ± 0.13 | CHK'D: RSHIVANANDKE 2019/01/02 | DOCUMENT NUMBER | | |
| 1 PLACE ± 0.25 | 0 PLACES ± | APPR: CWANG25 2019/01/11 | SD-76985-002 | | |
| DRAFT WHERE APPLICABLE MUST REMAIN WITHIN DIMENSIONS | THIRD ANGLE PROJECTION | INITIAL REVISION: DRWN: JLAURX 4/28/09 APPR: JBINGHAM 2010/01/14 | DOC TYPE PSD | DOC PART 001 | REVISION E1 |
| | C-SIZE | SERIES 76985 | MATERIAL NUMBER SEE CHART | CUSTOMER GENERAL MARKET | SHEET NUMBER 2 OF 4 |

ORTHO PIN MAPPING

OPTION 270 (NEAR SIDE - FAR SIDE)

| | | | | | | | | | |
|--------|--------|--------|--------|--------|--------|--------|--------|--------|---------|
| A1-A1 | A2-B1 | A3-D1 | A4-E1 | A5-G1 | A6-H1 | A7-K1 | A8-L1 | A9-N1 | A10-P1 |
| B1-A2 | B2-C1 | B3-D2 | B4-F1 | B5-G2 | B6-J1 | B7-K2 | B8-M1 | B9-N2 | B10-Q1 |
| C1-B2 | C2-C2 | C3-E2 | C4-F2 | C5-H2 | C6-J2 | C7-L2 | C8-M2 | C9-P2 | C10-Q2 |
| D1-A3 | D2-B3 | D3-D3 | D4-E3 | D5-G3 | D6-H3 | D7-K3 | D8-L3 | D9-N3 | D10-P3 |
| E1-A4 | E2-C3 | E3-D4 | E4-F3 | E5-G4 | E6-J3 | E7-K4 | E8-M3 | E9-N4 | E10-Q3 |
| F1-B4 | F2-C4 | F3-E4 | F4-F4 | F5-H4 | F6-J4 | F7-L4 | F8-M4 | F9-P4 | F10-Q4 |
| G1-A5 | G2-B5 | G3-D5 | G4-E5 | G5-G5 | G6-H5 | G7-K5 | G8-L5 | G9-N5 | G10-P5 |
| H1-A6 | H2-C5 | H3-D6 | H4-F5 | H5-G6 | H6-J5 | H7-K6 | H8-M5 | H9-N6 | H10-Q5 |
| J1-B6 | J2-C6 | J3-E6 | J4-F6 | J5-H6 | J6-J6 | J7-L6 | J8-M6 | J9-P6 | J10-Q6 |
| K1-A7 | K2-B7 | K3-D7 | K4-E7 | K5-G7 | K6-H7 | K7-K7 | K8-L7 | K9-N7 | K10-P7 |
| L1-A8 | L2-C7 | L3-D8 | L4-F7 | L5-G8 | L6-J7 | L7-K8 | L8-M7 | L9-N8 | L10-Q7 |
| M1-B8 | M2-C8 | M3-E8 | M4-F8 | M5-H8 | M6-J8 | M7-L8 | M8-M8 | M9-P8 | M10-Q8 |
| N1-A9 | N2-B9 | N3-D9 | N4-E9 | N5-G9 | N6-H9 | N7-K9 | N8-L9 | N9-N9 | N10-P9 |
| P1-A10 | P2-C9 | P3-D10 | P4-F9 | P5-G10 | P6-J9 | P7-K10 | P8-M9 | P9-N10 | P10-Q9 |
| Q1-B10 | Q2-C10 | Q3-E10 | Q4-F10 | Q5-H10 | Q6-J10 | Q7-L10 | Q8-M10 | Q9-P10 | Q10-Q10 |

NOTE: PINOUTS SHOWN IN BALLOONS ARE GROUNDS.
PINOUTS SHOWN ARE FOR SQUARE (10 COLUMN) PATTERN ONLY.



ORTHO OPTION 270
NEAR SIDE PIN A1 MAPS
TO FAR SIDE PIN A1

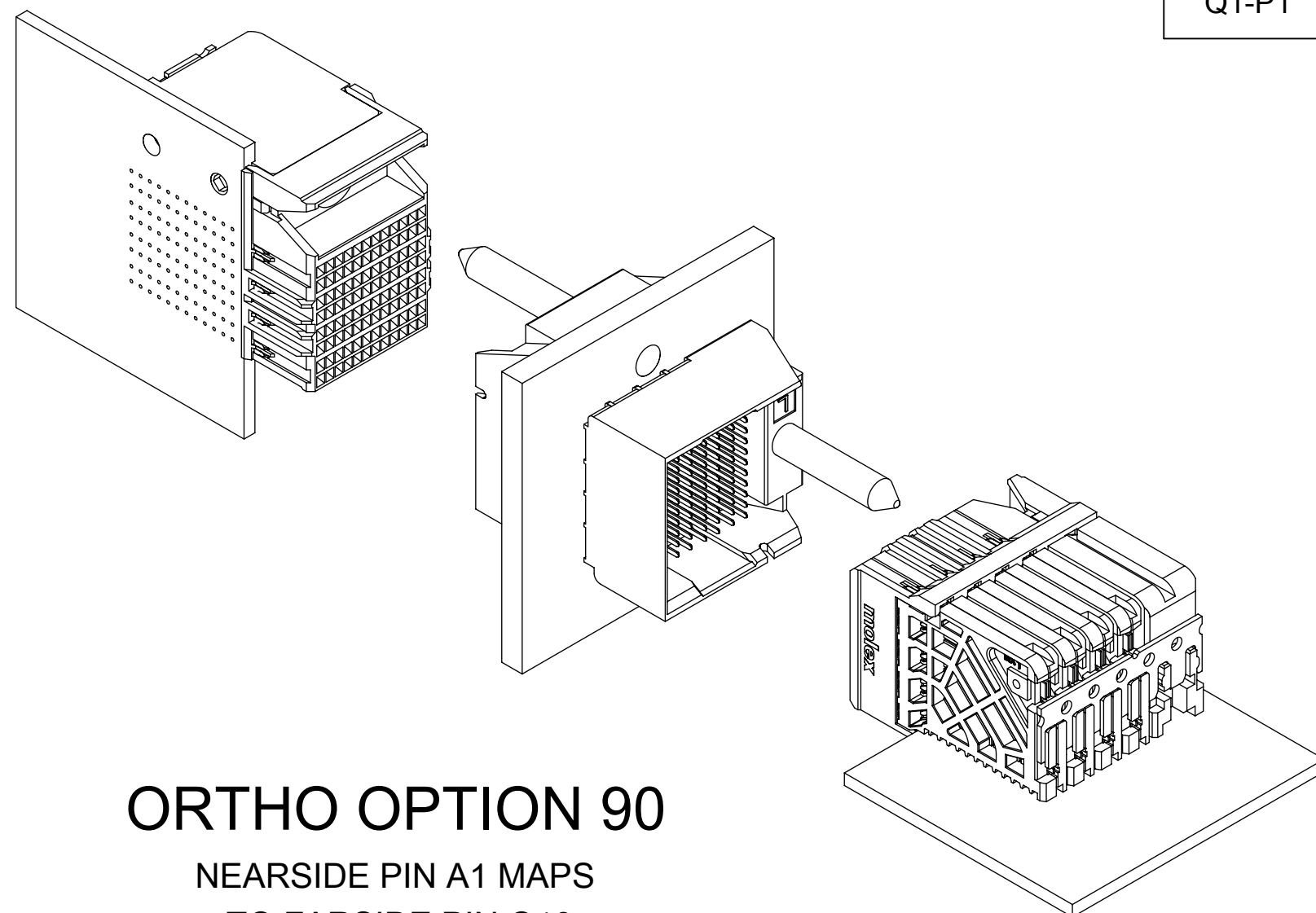
| | | | | | | | | | |
|---|--|---------|--|--|--|-----------------|--|----------------------------|--|
| THIS DRAWING CONTAINS INFORMATION THAT IS PROPRIETARY TO MOLEX ELECTRONIC TECHNOLOGIES, LLC AND SHOULD NOT BE USED WITHOUT WRITTEN PERMISSION | | | | | | | | | |
| DIMENSION UNITS | | SCALE | | CURRENT REV DESC: MIGRATED TO NX | | | | | |
| mm | | 8:1 | | <p>IMPACT 5 PAIR HEADER ORTHOGONAL ASSEMBLY GUIDE LEFT SALES DRAWING</p> <p>PRODUCT CUSTOMER DRAWING</p> | | | | | |
| GENERAL TOLERANCES (UNLESS SPECIFIED) | | | | | | | | | |
| ANGULAR TOL ± 0.5° | | | | | | | | | |
| 4 PLACES ± | | | | | | | | | |
| 3 PLACES ± | | | | | | | | | |
| 2 PLACES ± 0.13 | | | | EC NO: 609931 | | 2018/10/18 | | DOCUMENT NUMBER | |
| 1 PLACE ± 0.25 | | | | DRWN: JKUMARSARAFS | | 2019/01/02 | | SD-76985-002 | |
| 0 PLACES ± | | | | CHK'D: RSHIVANANDKE | | 2019/01/11 | | DOC TYPE DOC PART REVISION | |
| DRAFT WHERE APPLICABLE MUST REMAIN WITHIN DIMENSIONS | | | | APPR: CWANG25 | | 2019/01/11 | | PSD 001 E1 | |
| THIRD ANGLE PROJECTION | | DRAWING | | SERIES | | MATERIAL NUMBER | | CUSTOMER | |
| | | C-SIZE | | 76985 | | SEE CHART | | GENERAL MARKET | |
| | | | | | | | | SHEET NUMBER | |
| | | | | | | | | 3 OF 4 | |

ORTHO PIN MAPPING

OPTION 90 (NEAR SIDE - FAR SIDE)

| | | | | | | | | | |
|--------|--------|--------|--------|--------|--------|--------|--------|--------|---------|
| A1-Q10 | A2-P10 | A3-M10 | A4-L10 | A5-J10 | A6-H10 | A7-F10 | A8-E10 | A9-C10 | A10-B10 |
| B1-Q9 | B2-N10 | B3-M9 | B4-K10 | B5-J9 | B6-G10 | B7-F9 | B8-D10 | B9-C9 | B10-A10 |
| C1-P9 | C2-N9 | C3-L9 | C4-K9 | C5-H9 | C6-G9 | C7-E9 | C8-D9 | C9-B9 | C10-A9 |
| D1-Q8 | D2-P8 | D3-M8 | D4-L8 | D5-J8 | D6-H8 | D7-F8 | D8-E8 | D9-C8 | D10-B8 |
| E1-Q7 | E2-N8 | E3-M7 | E4-K8 | E5-J7 | E6-G8 | E7-F7 | E8-D8 | E9-C7 | E10-A8 |
| F1-P7 | F2-N7 | F3-L7 | F4-K7 | F5-H7 | F6-G7 | F7-E7 | F8-D7 | F9-B7 | F10-A7 |
| G1-Q6 | G2-P6 | G3-M6 | G4-L6 | G5-J6 | G6-H6 | G7-F6 | G8-E6 | G9-C6 | G10-B6 |
| H1-Q5 | H2-N6 | H3-M5 | H4-K6 | H5-J5 | H6-G6 | H7-F5 | H8-D6 | H9-C5 | H10-A6 |
| J1-P5 | J2-N5 | J3-L5 | J4-K5 | J5-H5 | J6-G5 | J7-E5 | J8-D5 | J9-B5 | J10-A5 |
| K1-Q4 | K2-P4 | K3-M4 | K4-L4 | K5-J4 | K6-H4 | K7-F4 | K8-E4 | K9-C4 | K10-B4 |
| L1-Q3 | L2-N4 | L3-M3 | L4-K4 | L5-J3 | L6-G4 | L7-F3 | L8-D4 | L9-C3 | L10-A4 |
| M1-P3 | M2-N3 | M3-L3 | M4-K3 | M5-H3 | M6-G3 | M7-E3 | M8-D3 | M9-B3 | M10-A3 |
| N1-Q2 | N2-P2 | N3-M2 | N4-L2 | N5-J2 | N6-H2 | N7-F2 | N8-E2 | N9-C2 | N10-B2 |
| P1-Q1 | P2-N2 | P3-M1 | P4-K2 | P5-J1 | P6-G2 | P7-F1 | P8-D2 | P9-C1 | P10-A2 |
| Q1-P1 | Q2-N1 | Q3-L1 | Q4-K1 | Q5-H1 | Q6-G1 | Q7-E1 | Q8-D1 | Q9-B1 | Q10-A1 |

NOTE: PINOUTS SHOWN IN BALLOONS ARE GROUNDS.
PINOUTS SHOWN ARE FOR SQUARE (10 COLUMN) PATTERN ONLY.



ORTHO OPTION 90
NEAR SIDE PIN A1 MAPS
TO FAR SIDE PIN Q10
(FOR SQUARE PATTERN)

| | | | | | | | | | |
|---|--|------------------------|--|---|--|--------|--|--|--|
| THIS DRAWING CONTAINS INFORMATION THAT IS PROPRIETARY TO MOLEX ELECTRONIC TECHNOLOGIES, LLC AND SHOULD NOT BE USED WITHOUT WRITTEN PERMISSION | | | | | | | | | |
| DIMENSION UNITS | | SCALE | | CURRENT REV DESC: MIGRATED TO NX | | | | | |
| mm | | 4:1 | | molex IMPACT 5 PAIR HEADER ORTHOGONAL ASSEMBLY GUIDE LEFT SALES DRAWING PRODUCT CUSTOMER DRAWING DOCUMENT NUMBER: SD-76985-002 DOC TYPE: PSD DOC PART: 001 REVISION: E1 MATERIAL NUMBER: SEE CHART CUSTOMER: GENERAL MARKET SHEET NUMBER: 4 OF 4 | | | | | |
| GENERAL TOLERANCES (UNLESS SPECIFIED) | | | | | | | | | |
| ANGULAR TOL ± 0.5° | | | | | | | | | |
| 4 PLACES ± | | | | | | | | | |
| 3 PLACES ± | | | | | | | | | |
| 2 PLACES ± 0.13 | | | | | | | | | |
| 1 PLACE ± 0.25 | | | | | | | | | |
| 0 PLACES ± | | | | INITIAL REVISION: | | | | | |
| DRAFT WHERE APPLICABLE MUST REMAIN WITHIN DIMENSIONS | | THIRD ANGLE PROJECTION | | DRAWING | | SERIES | | | |
| | | C-SIZE | | 76985 | | | | | |