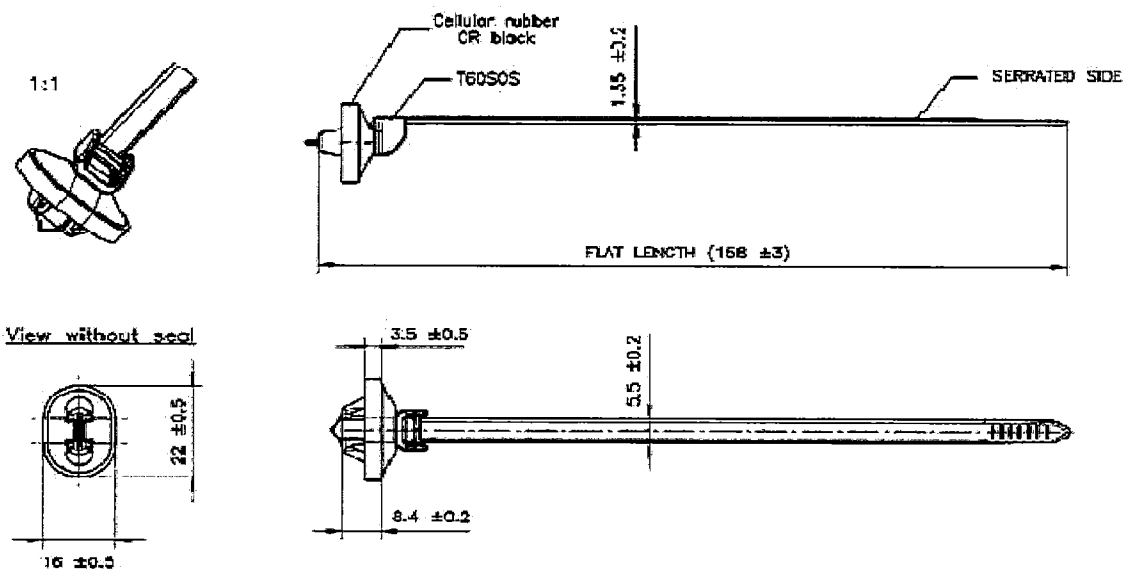




| Revision level |         | Revision Record | Changed | Date | Approved | Date |
|----------------|---------|-----------------|---------|------|----------|------|
| Part           | Drawing |                 |         |      |          |      |
|                |         |                 |         |      |          |      |



|                       |                     |
|-----------------------|---------------------|
| Bundle diameter* (mm) | 1.6 - 30            |
| Hole size (mm)        | 0.5±0.25 X13.0±0.25 |
| Panel thickness (mm)  | 0.6 - 2.0           |
| Material              | P.A. 66             |

|   |                           |
|---|---------------------------|
| Minimum tensile strength                | 300N                      |
| Dimension without tolerance details to: | DIN 16901                 |
| Tolerances                              | PERFORMANCE SPECIFICATION |

The copyright of this drawing is reserved by HELLERMANN TYTON. It is issued on condition that it is not reproduced, copied or disclosed to a third party, either wholly or in part, without the consent of HELLERMANN TYTON.

|          |            |          |
|----------|------------|----------|
| Drawn    | MANDY ONG  | 25/09/12 |
| Approved | EDWARD TAN | 26/09/12 |

**HellermannTyton**  
 545, Yohari Industrial Park A  
 Yishun Avenue 7  
 Singapore 768741  
 Tel: (+65) 6852 8585  
 Fax: (+65) 6756 6798

|                                       |                            |
|---------------------------------------|----------------------------|
| Scale: not to scale                   | Reference: 12-0296-001-00N |
| Title: <b>T60S0SSFT65X130-E-MS-MD</b> |                            |
| Drawing-No: <b>SG12017-00</b>         | Format: <b>A4</b>          |
| Sheet 1 of 1                          |                            |

Uncontrolled Document

**Product Number**  
**Cross Reference Record**

Uncontrolled Document

| <b>Type Number</b>          | <b>UNS<br/>Universal<br/>Number System</b> | <b>Customer<br/>Drawing Title</b> | <b>Color</b> |
|-----------------------------|--|-----------------------------------|--------------|
| T60SOSSFT65x130-E-MS-<br>MD | 126-00186                                  |                                   | BLK          |

Issued By:

Reference Drawing Number:

Issue Date:

XCT-HTS059-CST

May 5, 2015