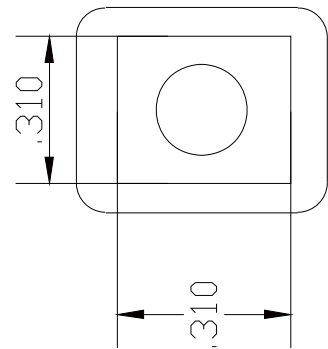
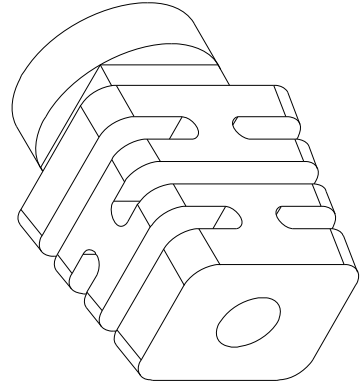
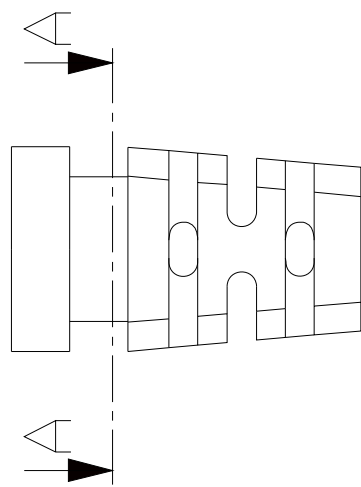
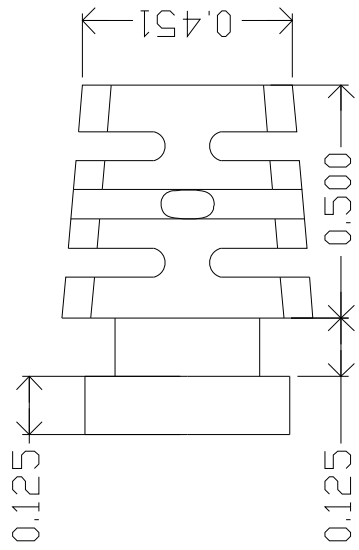
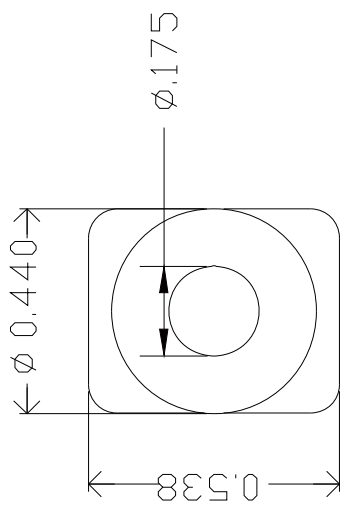


REVISIONS		DATE	APPROVED
ZONE	REV.		



MOLD MATERIAL: ISC P/N: 5000214, PVC, M1472, BLACK

DRAWN	CHECKED	ENG APPR	MFG APPR	G.A.	COMMENTS:	DATE	NAME
R FIERRO						08/13/04	R FIERRO

DIMENSIONS ARE IN INCHES	
TOLERANCES:	
FRACTIONAL ±	
ANGULAR: MACH ±	BEND ±
TWO PLACE DECIMAL ±	
THREE PLACE DECIMAL ±	
MATERIAL	--
FINISH	--
NEXT ASSY USED ON	
APPLICATION	

SIZE	DWG. NO.	REV.
A	1467269	

SCALE	WEIGHT
1465080-175-E-310X310-440-0	

Dimensions are subject to change.  
 PROPRIETARY AND CONFIDENTIAL  
 THE INFORMATION CONTAINED IN THIS DRAWING IS THE SOLE PROPERTY OF ISC ENGINEERING. ANY REPRODUCTION IN PART OR AS A WHOLE WITHOUT THE WRITTEN PERMISSION OF ISC ENGINEERING IS PROHIBITED.