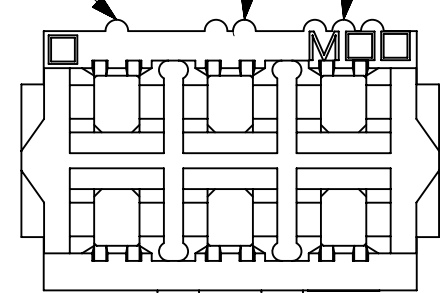
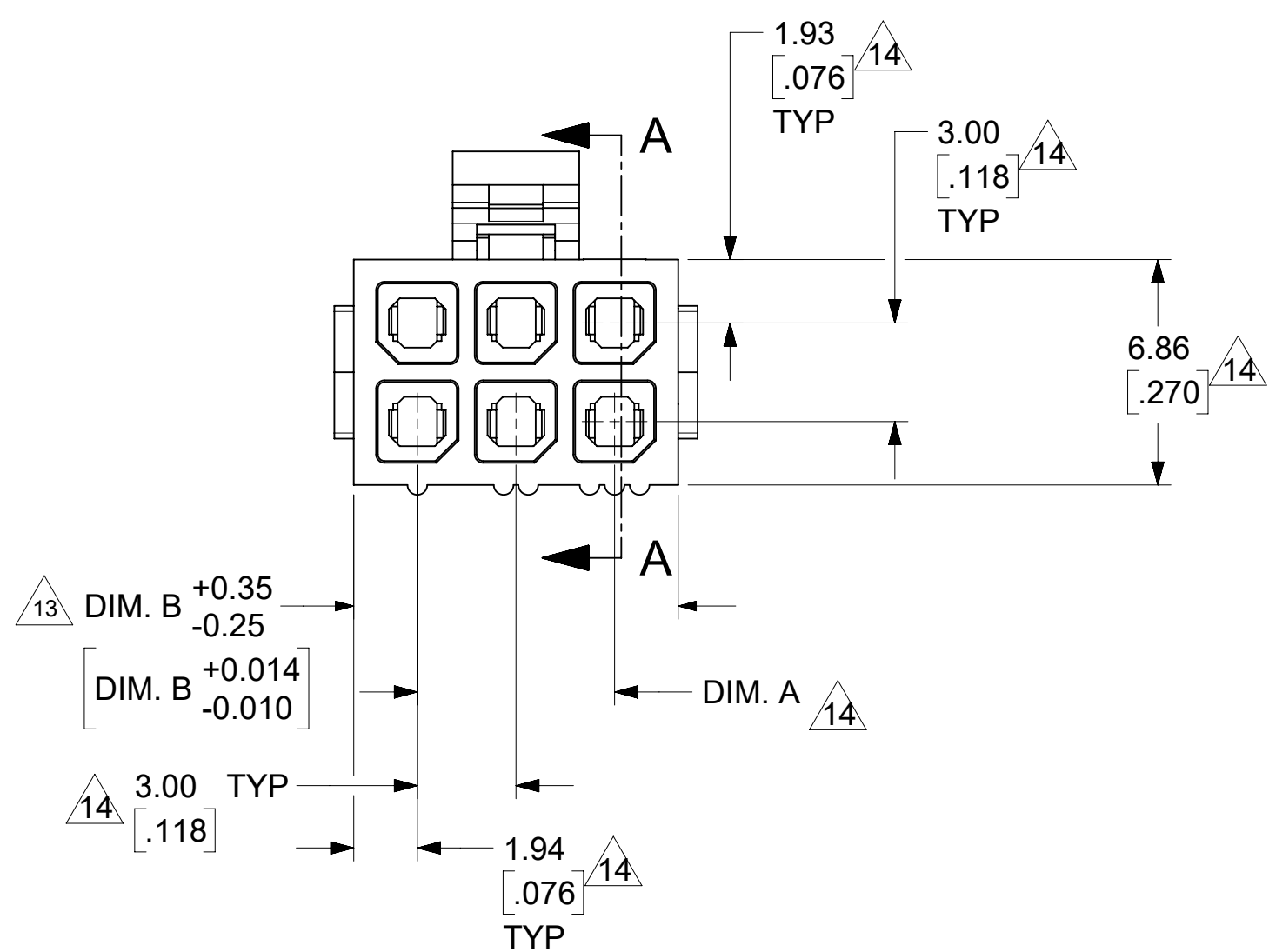
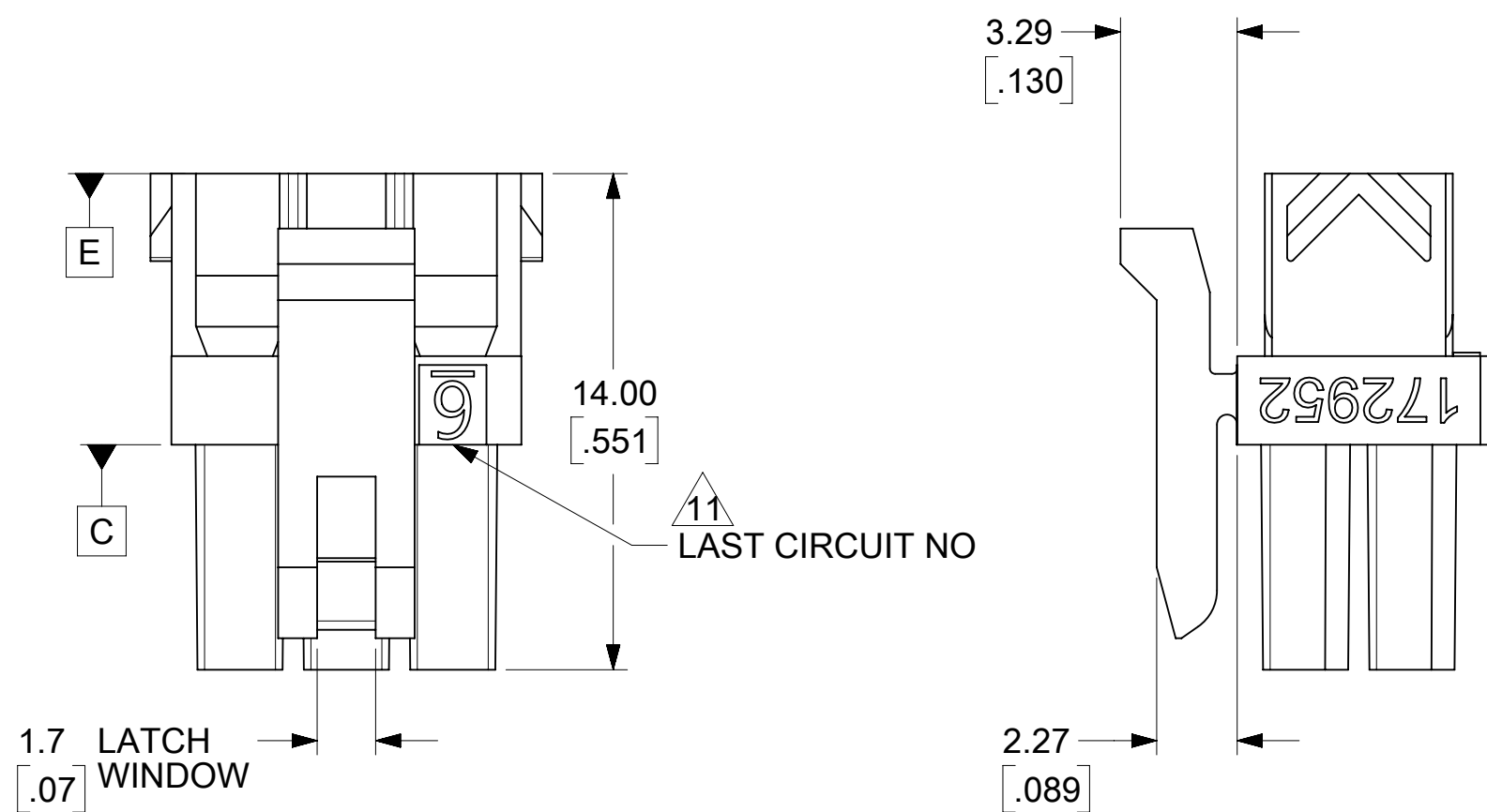


FIRST CIRCUIT INDICATOR RIB (1)
 CIRCUIT 2 INDICATOR RIBS (2)
 CIRCUIT 3 INDICATOR RIBS (3)

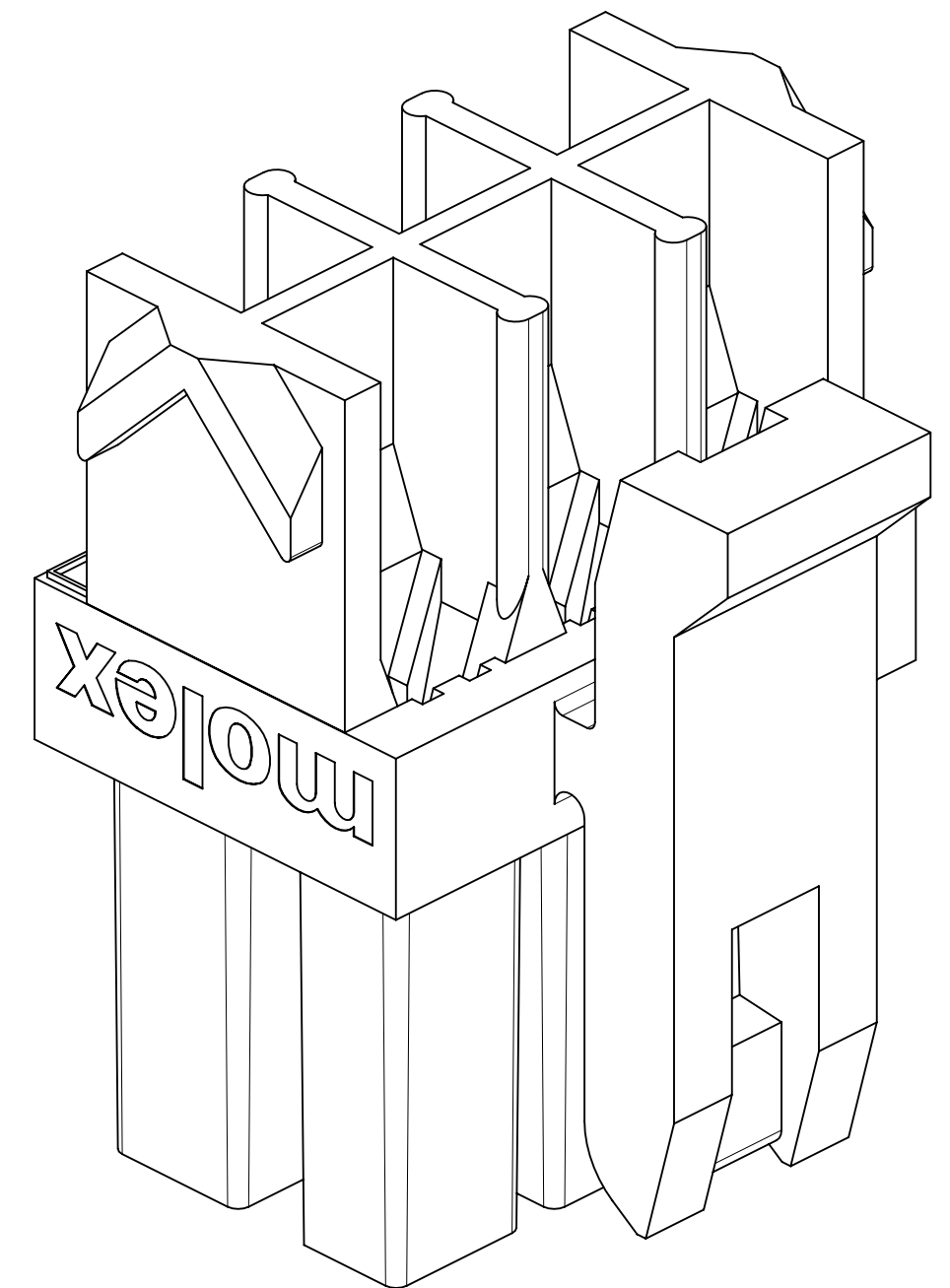


3.85
 [.152]



NOTES:

- 1) MATERIAL: UNFILLED NYLON, RATED UL94V-2, IEC60335-1 GLOW WIRE CAPABLE, COLOR: BLACK
- 2) FINISH: NONE
- 3) PRODUCT SPECIFICATION: PS-43045
- 4) PACKAGING SPECIFICATION: BULK PER 1729520001-PK
- 5) MATES WITH: MOLEX 43020 PLUGS, 203632 TPA PLUGS AND 43045 HEADERS
- 6) FOR USE WITH: 43030 AND 46235 (LOW FORCE) MOLEX FEMALE TERMINALS
- 7) HOUSING IS DESIGNED FOR USE WITH 172953-XX02 TPA. NEVER USE WITHOUT TPA.
- 8) THIS PART CONFORMS TO CLASS B REQUIREMENTS OF COSMETIC SPEC PS-45499-002
- 9) PARTS MAY HAVE A BLEMISH NEAR THE GATE THAT DOES NOT AFFECT FUNCTIONALITY
- 10) TERMINALS IN THE LOWER ROW ARE INSERTED 180° FROM THE UPPER ROW
- 11 SEE SECTION A-A FOR PROPER ORIENTATION
- 11 LAST CIRCUIT NUMBER OF THE CONNECTOR. NOT APPLICABLE TO 4 CIRCUIT.
- 12) REF 430250000-AS FOR OVERMOLDING PARAMETERS
- 13 TO BE MEASURED APPROXIMATELY 1.52/.060 FROM [E] SURFACE
- 14 TO BE MEASURED ON [C] SURFACE
- 15) MOLEX RECOMMENDS THE USE OF MICRO-FIT TEST PLUG SERIES 44242 FOR ALL TESTING. TEST PLUGS MUST NOT BE MATED OR UNMATED UNDER LOAD. DO NOT USE STANDARD MATING COMPONENTS FOR TEST PURPOSES.
- 16) TEXT ON PART IS FOR REFERENCE ONLY. TEXT AND TEXT LOCATION MAY VARY DEPENDING ON PART NUMBER AND/OR TOOL.
- 17) INTENDED FOR USE WITH 20-30 AWG WIRES ONLY



172952-0602 SHOWN

NEVER USE WITHOUT TPA.

SCALE 10:1

| | | | | |
|--|---|------------------------|-------------------------------|---------------------|
| FUNCTIONAL SYMBOLS | THIS DRAWING CONTAINS INFORMATION THAT IS PROPRIETARY TO MOLEX ELECTRONIC TECHNOLOGIES, LLC AND SHOULD NOT BE USED WITHOUT WRITTEN PERMISSION | | | |
| | DIMENSION UNITS | SCALE | CURRENT REV DESC: ADD NOTE 17 | |
| $\frac{E}{A} = 0$ | MM/INCH | 5:1 | | |
| $\frac{E}{C} = 0$ | GENERAL TOLERANCES (UNLESS SPECIFIED) | | | |
| $\frac{E}{P} = 0$ | | MM | INCH | |
| DIVISIONAL SYMBOLS | 4 PLACES | ± | ± | |
| | 3 PLACES | ± | ± 0.01 | |
| | 2 PLACES | ± | ± 0.25 | ± 0.015 |
| | 1 PLACE | ± | ± 0.38 | ± |
| | 0 PLACES | ± | ± | ± |
| | ANGULAR TOL | ± 0.5° | | |
| DRAFT WHERE APPLICABLE MUST REMAIN WITHIN DIMENSIONS | | THIRD ANGLE PROJECTION | DRAWING | SERIES |
| | | | C-SIZE | 172952 |
| DOCUMENT STATUS | | P1 | RELEASE DATE | 2022/10/13 13:32:56 |
| DOCUMENT NUMBER | | CUSTOMER | | SHEET NUMBER |
| SD-172952-002 | | GENERAL MARKET | | 1 OF 3 |

molex

MICROFIT TPA RECEPTACLE GLOW WIRE DUAL-ROW HOUSING

PRODUCT CUSTOMER DRAWING

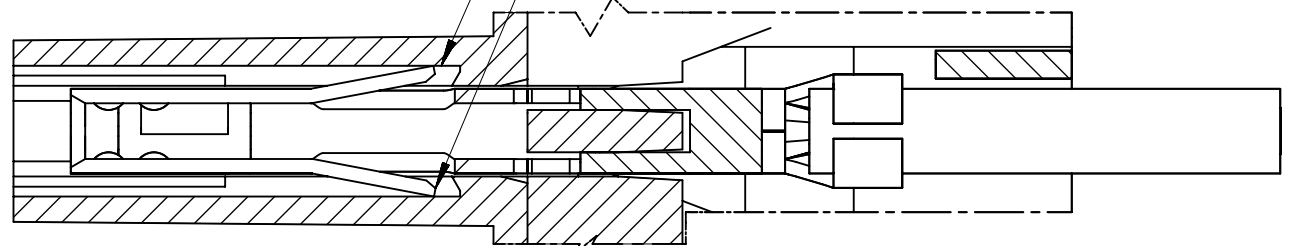
DOCUMENT NUMBER DOC TYPE DOC PART REVISION

SD-172952-002 PSD 001 C1

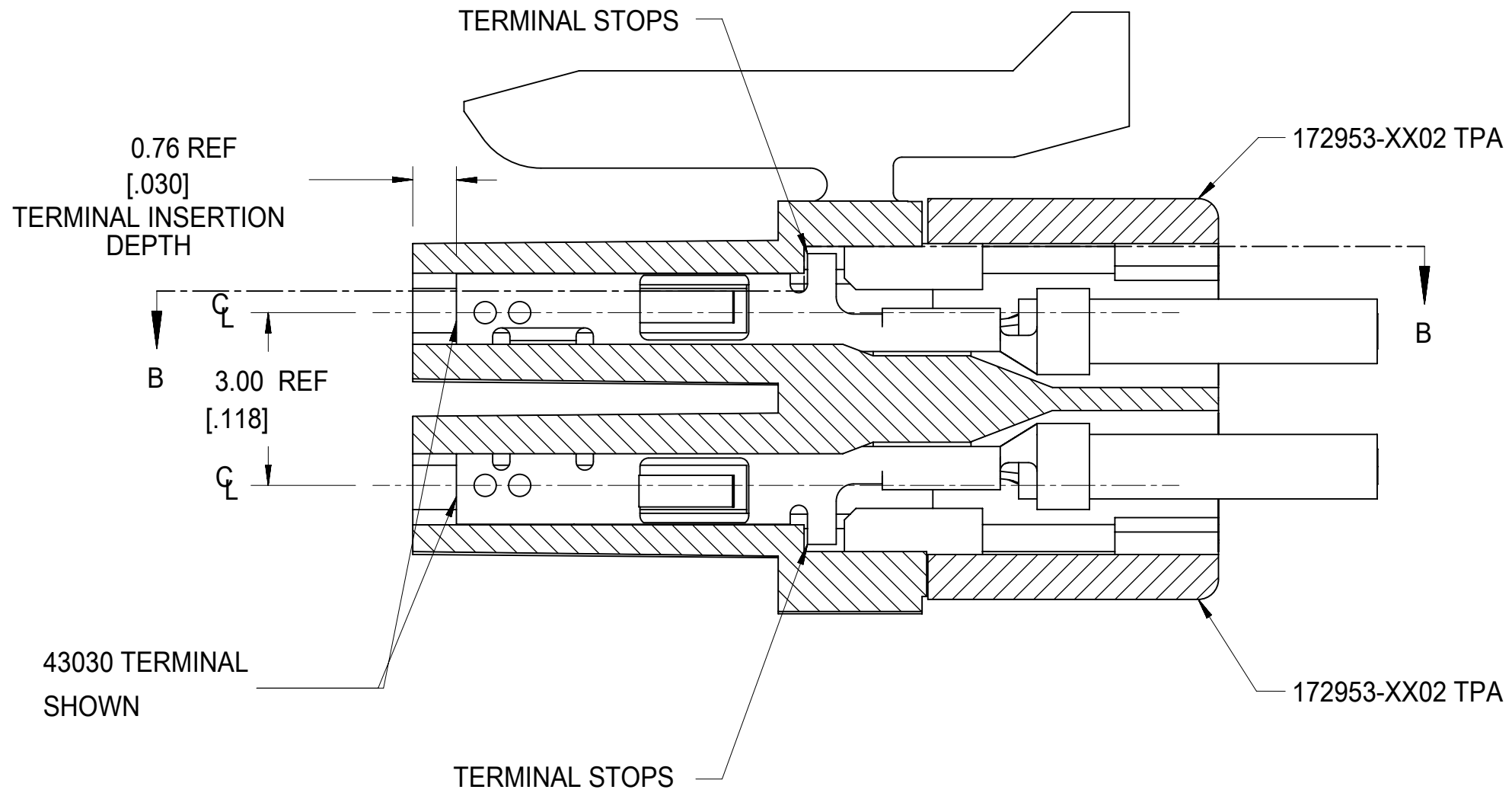
MATERIAL NUMBER CUSTOMER SHEET NUMBER

SEE CHART GENERAL MARKET 1 OF 3

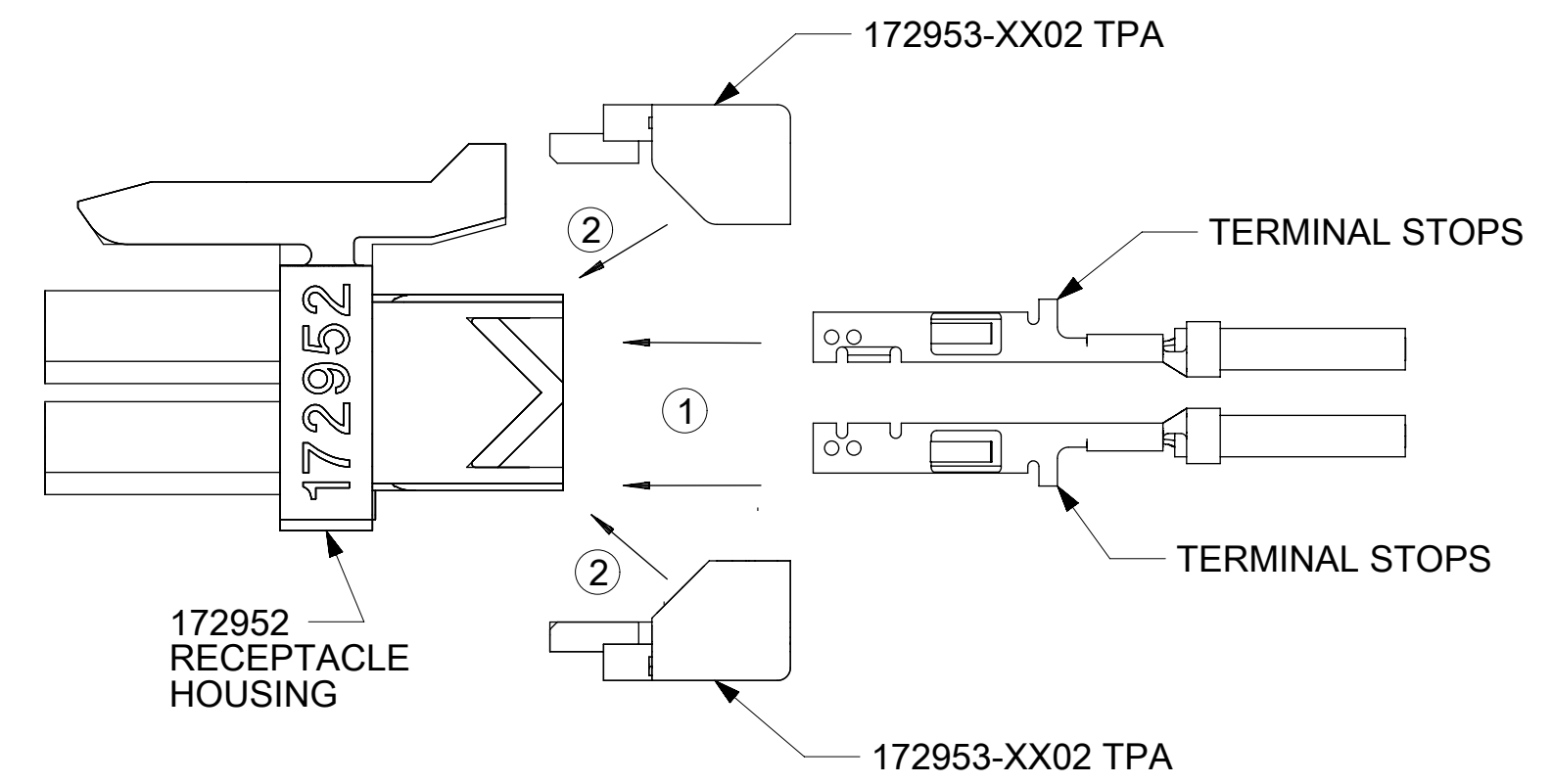
TERMINAL LOCKING TABS MUST BE FULLY SEATED TO HOUSING BEFORE MATING WITH OTHER HALF OF CONNECTOR SYSTEM



Partial B-B
SCALE 10:1



SECTION A-A
(WITH TERMINALS AND TPAs)
SCALE 10:1



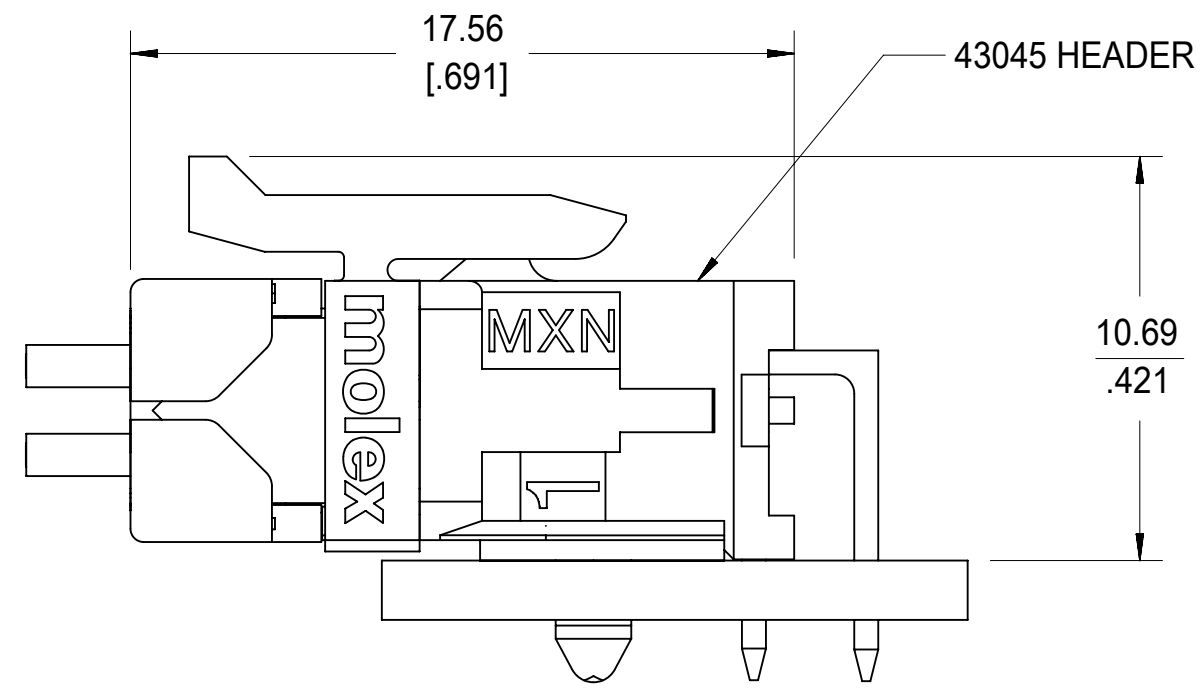
TERMINAL AND TPA ORIENTATION AND ASSEMBLY NEVER USE WITHOUT TPA.

| | | | |
|----------|-------------|---------------|---------------|
| 24 | 172952-2402 | 33.00 / 1.299 | 36.85 / 1.451 |
| 22 | 172952-2202 | 30.00 / 1.181 | 33.85 / 1.333 |
| 20 | 172952-2002 | 27.00 / 1.063 | 30.85 / 1.215 |
| 18 | 172952-1802 | 24.00 / .945 | 27.85 / 1.096 |
| 16 | 172952-1602 | 21.00 / .827 | 24.85 / .978 |
| 14 | 172952-1402 | 18.00 / .709 | 21.85 / .860 |
| 12 | 172952-1202 | 15.00 / .591 | 18.85 / .742 |
| 10 | 172952-1002 | 12.00 / .472 | 15.85 / .624 |
| 8 | 172952-0802 | 9.00 / .354 | 12.85 / .506 |
| 6 | 172952-0602 | 6.00 / .236 | 9.85 / .388 |
| 4 | 172952-0402 | 3.00 / .118 | 6.85 / .270 |
| CKT SIZE | PART NUMBER | DIM A | DIM B |

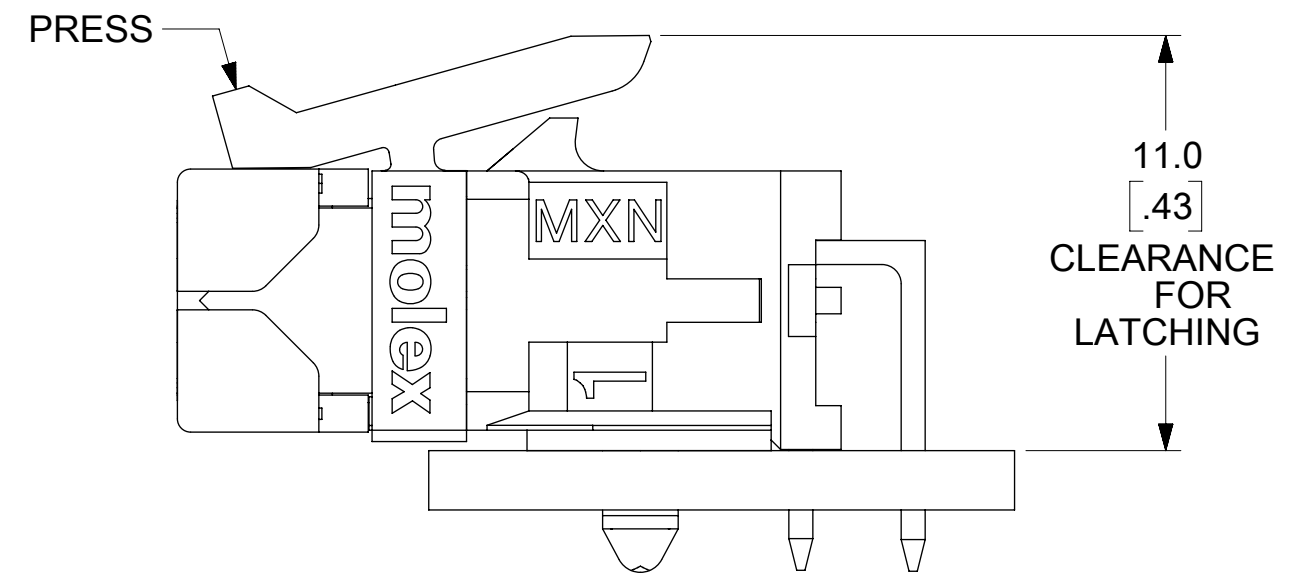
| | | | | |
|--|---|------------------------|-------------------------------|--------|
| FUNCTIONAL SYMBOLS FA = 0 FC = 0 FP = 0 | THIS DRAWING CONTAINS INFORMATION THAT IS PROPRIETARY TO MOLEX ELECTRONIC TECHNOLOGIES, LLC AND SHOULD NOT BE USED WITHOUT WRITTEN PERMISSION | | | |
| | DIMENSION UNITS | SCALE | CURRENT REV DESC: ADD NOTE 17 | |
| | MM/INCH | 5:1 | | |
| | GENERAL TOLERANCES (UNLESS SPECIFIED) | | | |
| DIVISIONAL SYMBOLS | 4 PLACES | ± | ± | |
| | 3 PLACES | ± | ± 0.01 | |
| | 2 PLACES | ± 0.25 | ± 0.015 | |
| | 1 PLACE | ± 0.38 | ± | |
| 0 PLACES | ± | ± | | |
| ANGULAR TOL | ± 0.5 ° | | | |
| DRAFT WHERE APPLICABLE MUST REMAIN WITHIN DIMENSIONS | | THIRD ANGLE PROJECTION | DRAWING | SERIES |
| | | | C-SIZE | 172952 |

| | | | |
|-------------------|--|------------|--|
| EC NO: 723726 | | 2022/02/25 | |
| DRWN: MKIPPER | | 2022/10/12 | |
| CHK'D: MKIPPER | | 2022/10/13 | |
| APPR: FSMITH | | | |
| INITIAL REVISION: | | | |
| DRWN: MCOLE | | 2016/02/23 | |
| APPR: BPISZCZOR | | 2016/03/24 | |

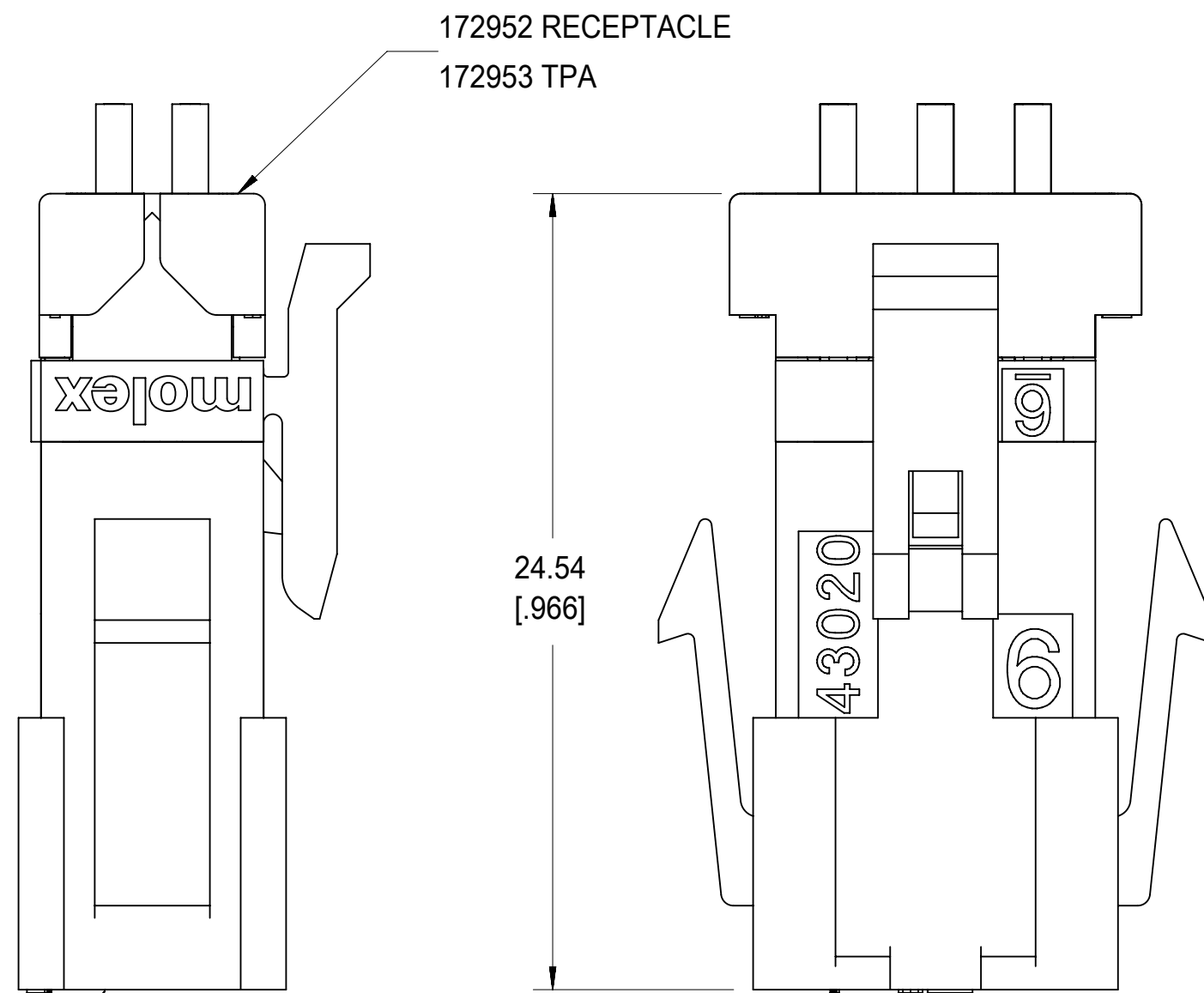
| | | | | |
|-----------------|----------------|--------------|----------|----------|
| DOCUMENT NUMBER | | DOC TYPE | DOC PART | REVISION |
| SD-172952-002 | | PSD | 001 | C1 |
| MATERIAL NUMBER | CUSTOMER | SHEET NUMBER | | |
| SEE CHART | GENERAL MARKET | 2 OF 3 | | |



MATED MICRO-FIT CONNECTOR (WITH TPA INSTALLED)

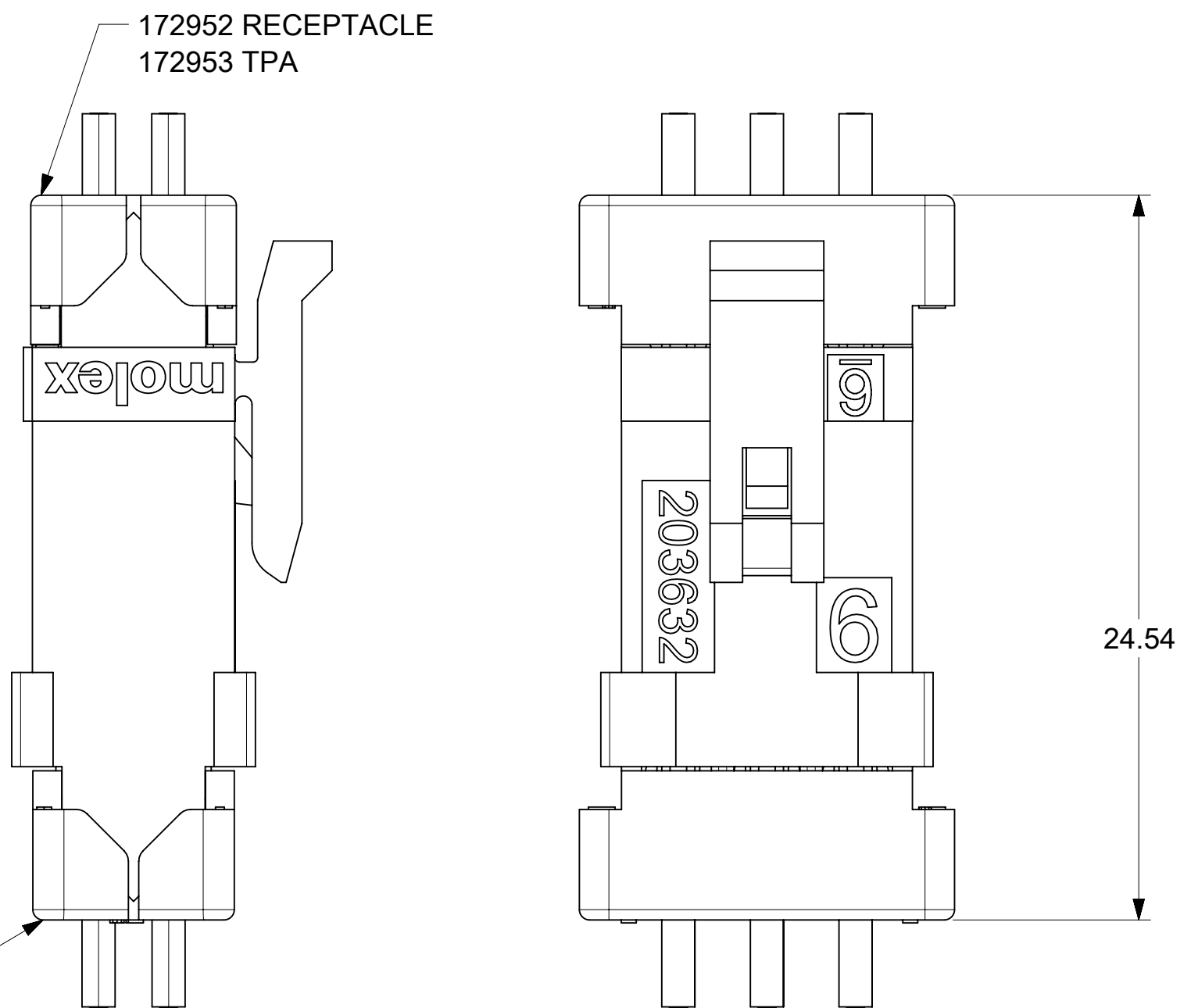


MATED MICRO-FIT CONNECTOR (WITH TPA INSTALLED)



MATED MICRO-FIT CONNECTOR (WITH TPA INSTALLED)

43020 PLUG HOUSING



MATED MICRO-FIT CONNECTOR (WITH TPA INSTALLED)

203632 PLUG
172953 TPA

| | | | | | | | | | | | | | |
|--|---|---|--------|---------------------|--|------------------------|--|-----------------|--|----------------|--|--------------|--|
| FUNCTIONAL SYMBOLS | THIS DRAWING CONTAINS INFORMATION THAT IS PROPRIETARY TO MOLEX ELECTRONIC TECHNOLOGIES, LLC AND SHOULD NOT BE USED WITHOUT WRITTEN PERMISSION | | | | | | | | | | | | |
| | DIMENSION UNITS | | SCALE | | CURRENT REV DESC: ADD NOTE 17 | | | | | | | | |
| | MM/INCH | | 5:1 | | <p>EC NO: 723726 DRWN: MKIPPER 2022/02/25 CHK'D: MKIPPER 2022/10/12 APPR: FSMITH 2022/10/13</p> | | | | | | | | |
| | GENERAL TOLERANCES (UNLESS SPECIFIED) | | | | | | | | | | | | |
| DIVISIONAL SYMBOLS | 4 PLACES | | ± | ± | <p>INITIAL REVISION: DRWN: MCOLE 2016/02/23 APPR: BPISZCZOR 2016/03/24</p> | | | | | | | | |
| | 3 PLACES | | ± | ± 0.01 | | | | | | | | | |
| | 2 PLACES | | ± 0.25 | ± 0.015 | | | | | | | | | |
| | 1 PLACE | | ± 0.38 | ± | | | | | | | | | |
| 0 PLACES | | ± | ± | ANGULAR TOL ± 0.5 ° | | THIRD ANGLE PROJECTION | | | | | | | |
| DRAFT WHERE APPLICABLE MUST REMAIN WITHIN DIMENSIONS | | | | DRAWING | | SERIES | | MATERIAL NUMBER | | CUSTOMER | | SHEET NUMBER | |
| | | | | C-SIZE | | 172952 | | SEE CHART | | GENERAL MARKET | | 3 OF 3 | |

molex

MICROFIT TPA RECEPTACLE GLOW WIRE DUAL-ROW HOUSING

PRODUCT CUSTOMER DRAWING

SD-172952-002

PSD 001 C1