

4

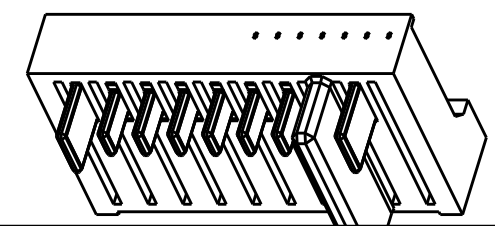
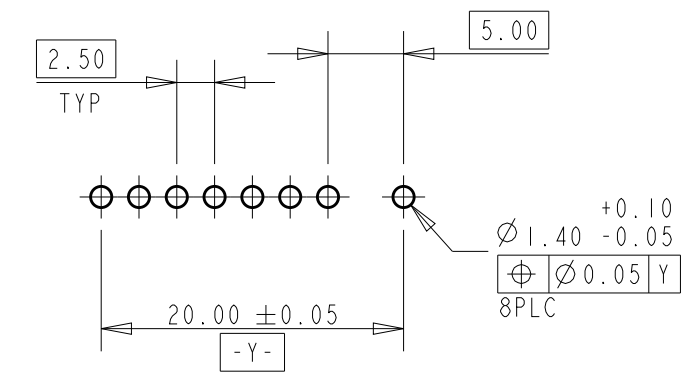
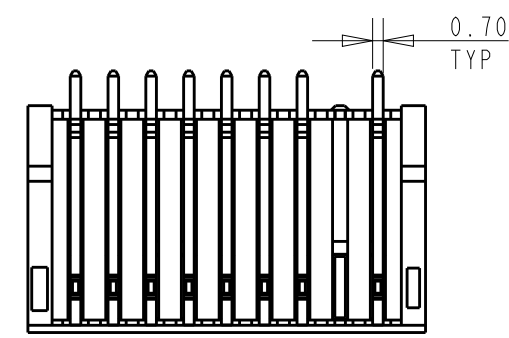
3

2

1

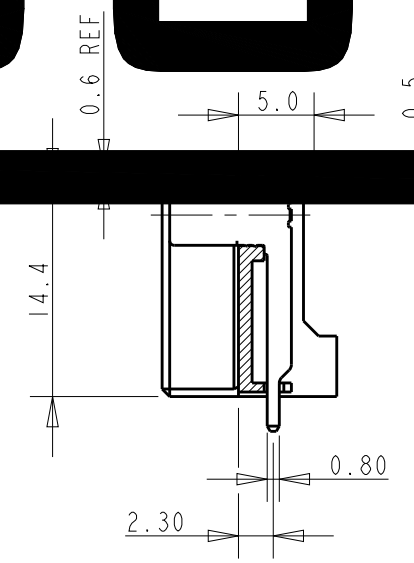
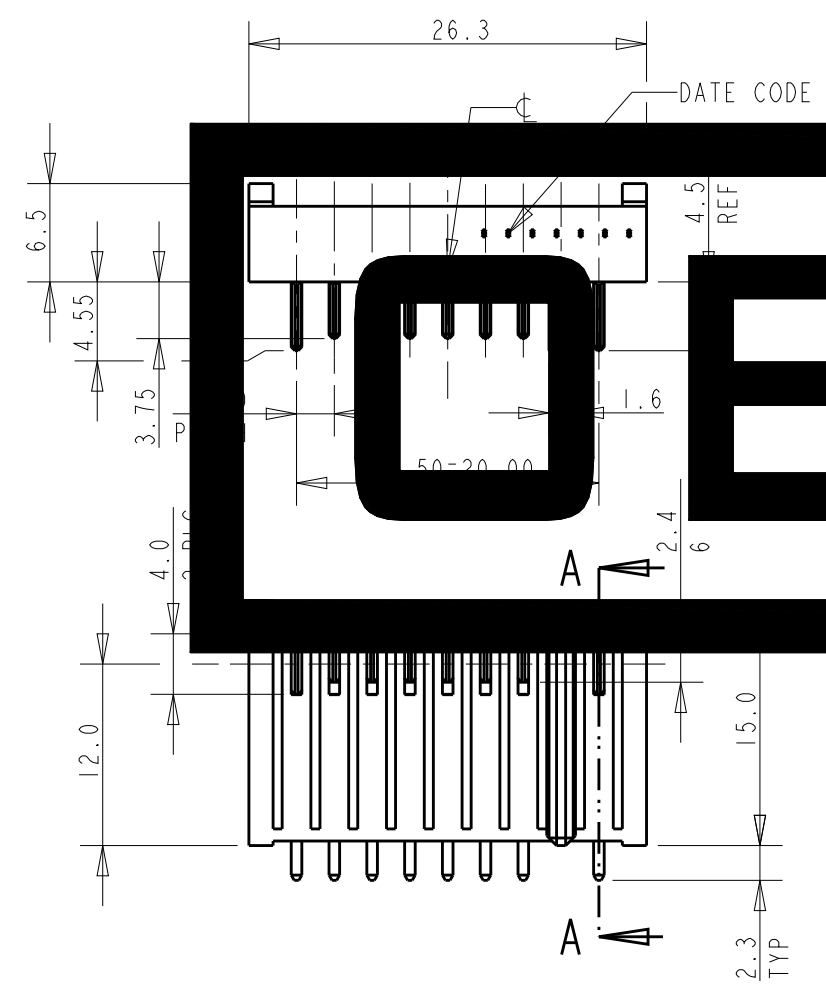
THIS DRAWING IS UNPUBLISHED. RELEASED FOR PUBLICATION 20
 © COPYRIGHT 20 BY TYCO ELECTRONICS CORPORATION. ALL RIGHTS RESERVED.

LOC	DIST	REVISIONS			
P	LTR	DESCRIPTION	DATE	DWN	APVD
ES	00	A1	RELEASED PER ECR-09-002836	12FEB2009	S.W S.Y
		A2	RELEASED PER ECR-09-005272	2MAR2009	S.W S.Y
		B	REVISED TO ADD *-3	24SEP2013	E.L WK.H
		B1	OBSOLETE	05JUN2019	K.G W.H



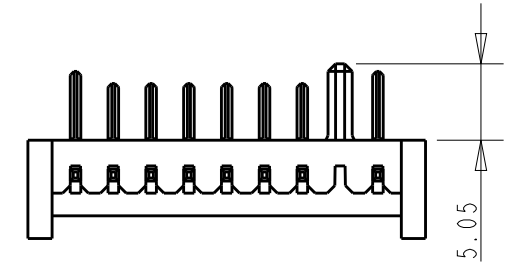
REFERENCE P.C. BOARD LAYOUT
 P.C. BOARD THK 0.8-1.2
 (VIEW FROM CONNECTOR MOUNTING SIDE)

OBSOLETE



- 1 MATERIAL
HOUSING: THERMOPLASTIC RESIN, BLACK, UL V-0
- 2 FINISH
CONTACT: Ni ALL OVER UNDER PLATING.
GOLD PLATING AT CONTACT AREA.
GOLD FLASH PLATING AT SOLDER AREA.

2.7	9.6	10.2	7.2	1932123-3
2.7	9.6	10.2	7.2	1932123-2
3.5	14.4	15	12	1932123-1
NET WEIGHT	DIM.N	DIM.M	DIM.L	PART NUMBER



<small>THIS DRAWING IS A CONTROLLED DOCUMENT FOR TYCO ELECTRONICS CORPORATION IT IS SUBJECT TO CHANGE AND THE CONTROLLING ENGINEERING ORGANIZATION SHOULD BE CONTACTED FOR THE LATEST REVISION.</small>		DWN T.YU 03JUL2008 CHK S.ZHAO 03JUL2008 APVD S.YAO 03JUL2008		Tyco Electronics Shanghai P.R.CHINA 200233	
DIMENSIONS: mm		TOLERANCES UNLESS OTHERWISE SPECIFIED: 0 PLC ±0.25 1 PLC ±0.10 2 PLC ±0.10 3 PLC ±0.10 4 PLC ±0.10 ANGLES ±3°		NAME PLUG ASSEMBLY 2.5mm PITCH BATTERY CONNECTOR CENTER HEIGHT=12.0mm	
MATERIAL 1		FINISH 2		PRODUCT SPEC - APPLICATION SPEC - WEIGHT 3.5g SIZE A3 CAGE CODE 00779 DRAWING NO. 1932123 RESTRICTED TO	
CUSTOMER DRAWING				SCALE 2:1 SHEET 1 OF 1 REV B1	