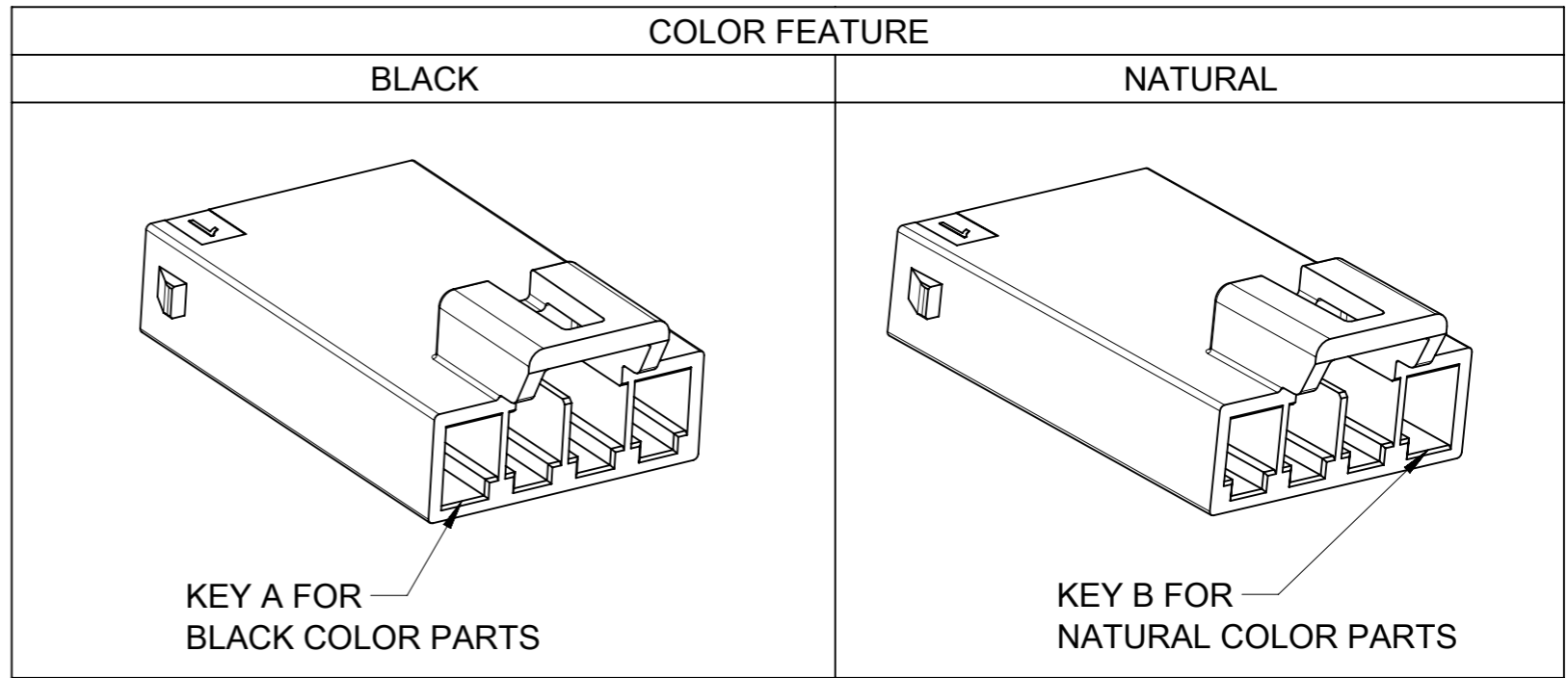
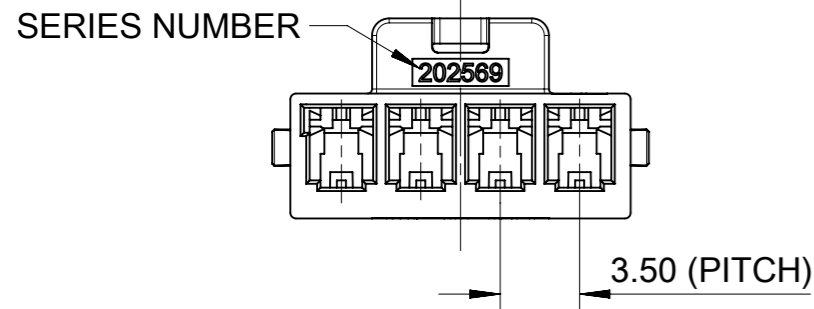
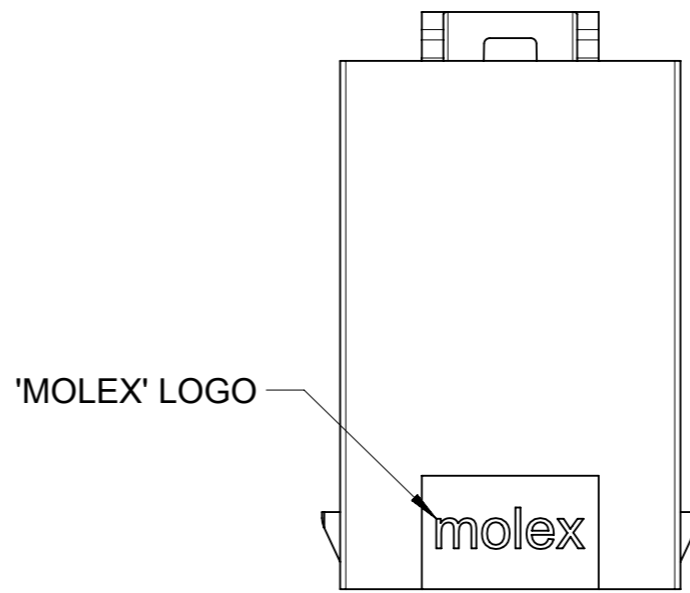
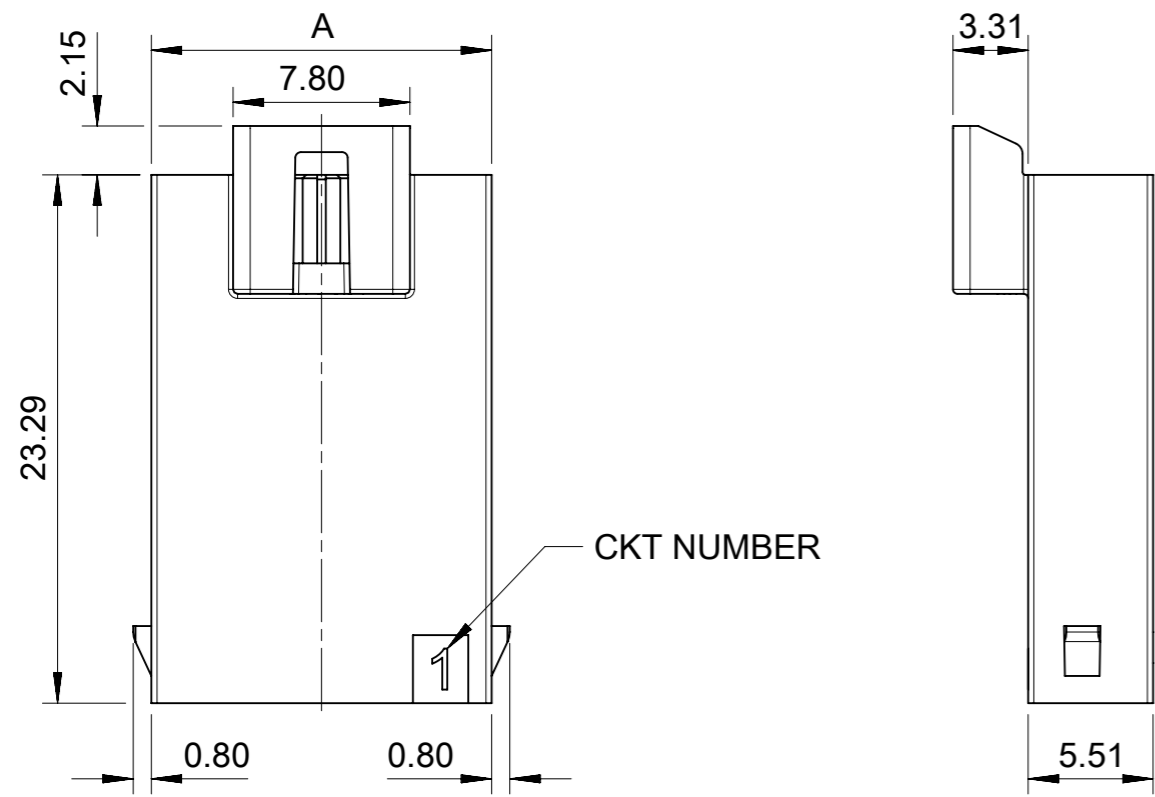


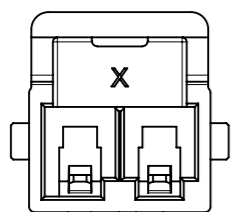
# FREE HANGING PLUG PARTS

| PART NUMBER | CIRCUIT SIZE | DIM 'A' | COLOR   | TYPE         |
|-------------|--------------|---------|---------|--------------|
| 202569-3002 | 2            | 8.0     | BLACK   | FREE HANGING |
| 202569-3003 | 3            | 11.5    |         |              |
| 202569-3004 | 4            | 15.0    |         |              |
| 202569-3005 | 5            | 18.5    |         |              |
| 202569-3006 | 6            | 22.0    |         |              |
| 202569-3007 | 7            | 25.5    | NATURAL |              |
| 202569-3008 | 8            | 29.0    |         |              |
| 202569-4002 | 2            | 8.0     |         |              |
| 202569-4003 | 3            | 11.5    | NATURAL |              |
| 202569-4004 | 4            | 15.0    |         |              |
| 202569-4005 | 5            | 18.5    |         |              |
| 202569-4006 | 6            | 22.0    |         |              |
| 202569-4007 | 7            | 25.5    |         |              |
| 202569-4008 | 8            | 29.0    |         |              |

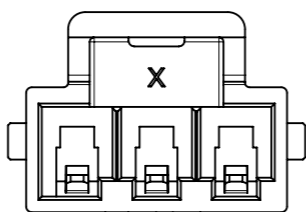


- NOTES:
1. MATERIAL: PA66, 94V-0, BLACK AND NATURAL.
  2. PRODUCT SPECIFICATION: 2169461000-PS.
  3. PACKAGE SPECIFICATION: 2025691000-PK.
  4. TO USE WITH TERMINAL OF 216946-\*\*\*\*.
  5. TO USE WITH TPA OF 172264-\*\*\*\*.
  6. TO MATE WITH RECEPTACLE OF 172256-\*\*\*\*.
  7. PARTS CONFORM TO CLASS 'B' REQUIREMENTS OF COSMETIC SPECIFICATION PS-45499-002.

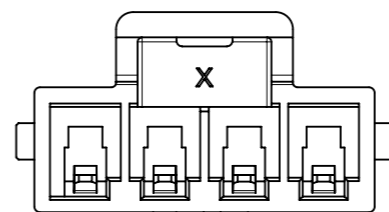
|   |  |       |  |                           |  |                |  |  |  |
|---|--|-------|--|---------------------------|--|----------------|--|--|--|
| THIS DRAWING CONTAINS INFORMATION THAT IS PROPRIETARY TO MOLEX ELECTRONIC TECHNOLOGIES, LLC AND SHOULD NOT BE USED WITHOUT WRITTEN PERMISSION |  |       |  |                           |  |                |  |  |  |
| DIMENSION UNITS   |  | SCALE |  | CURRENT REV DESC:         |  |                |  |  |  |
| mm  |  | NTS   |  |                           |  |                |  |  |  |
| GENERAL TOLERANCES (UNLESS SPECIFIED)   |  |       |  | EC NO: 726545             |  |                |  | PLUG HOUSING OF ULTRA-FIT WTW SR POWER CONNECTOR |  |
| ANGULAR TOL ± °   |  |       |  | DRWN: LEOW 2022/10/31     |  |                |  |  |  |
| 4 PLACES ±  |  |       |  | CHK'D: EDUGGER 2022/11/01 |  |                |  | PRODUCT CUSTOMER DRAWING                         |  |
| 3 PLACES ±  |  |       |  | APPR: EDUGGER 2022/11/01  |  |                |  |  |  |
| 2 PLACES ± 0.2  |  |       |  | INITIAL REVISION:         |  |                |  | DOCUMENT NUMBER: 2025691000-SD                   |  |
| 1 PLACE ± 0.3   |  |       |  | DRWN: GLLI 2021/07/06     |  |                |  |  |  |
| 0 PLACES ±  |  |       |  | APPR: EDUGGER 2022/11/01  |  |                |  | DOC TYPE: PSD                                    |  |
| DRAFT WHERE APPLICABLE MUST REMAIN WITHIN DIMENSIONS  |  |       |  | THIRD ANGLE PROJECTION    |  | DRAWING        |  | SERIES   |  |
|   |  |       |  |                           |  | A3-SIZE        |  | 202569   |  |
|   |  |       |  | MATERIAL NUMBER           |  | CUSTOMER       |  | SHEET NUMBER                                     |  |
|   |  |       |  |                           |  | GENERAL MARKET |  | 1 OF 6   |  |



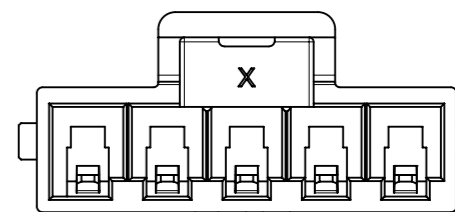
2CKT



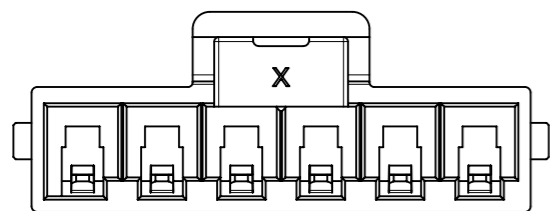
3CKT



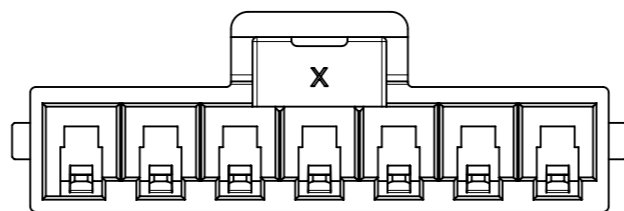
4CKT



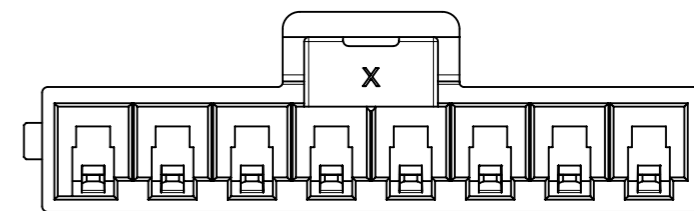
5CKT



6CKT



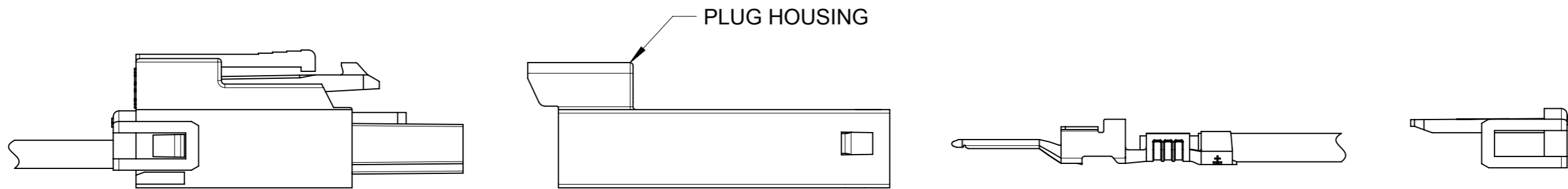
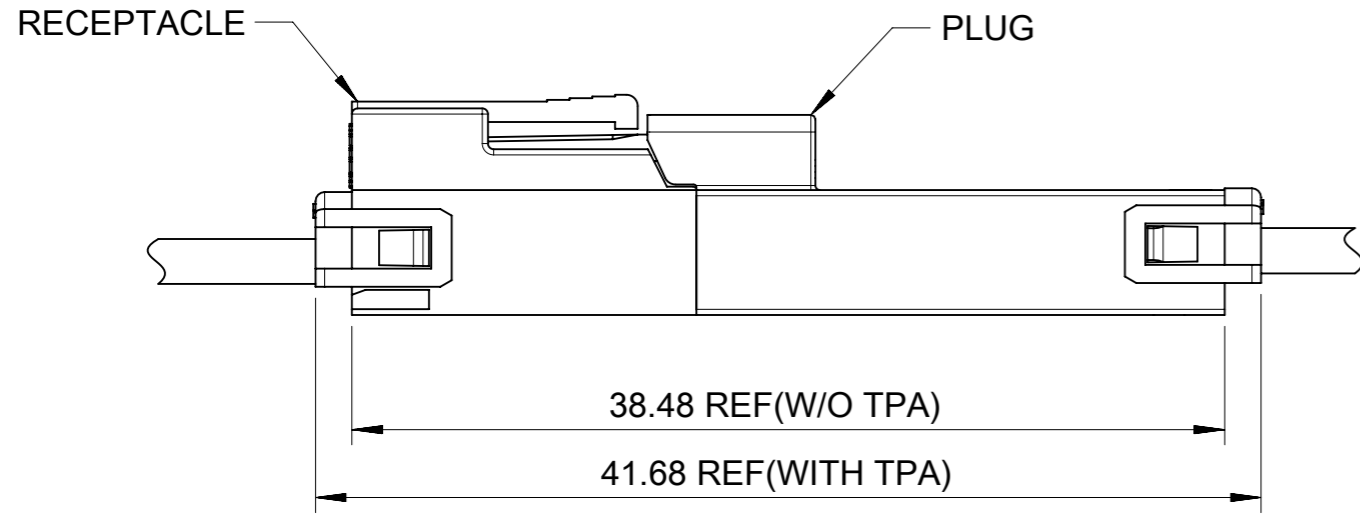
7CKT



8CKT

|   |  |       |  |                           |  |          |  |  |  |
|---|--|-------|--|---------------------------|--|----------|--|--|--|
| THIS DRAWING CONTAINS INFORMATION THAT IS PROPRIETARY TO MOLEX ELECTRONIC TECHNOLOGIES, LLC AND SHOULD NOT BE USED WITHOUT WRITTEN PERMISSION |  |       |  |                           |  |          |  |  |  |
| DIMENSION UNITS   |  | SCALE |  | CURRENT REV DESC:         |  |          |  | <b>molex</b>                                     |  |
| mm  |  | NTS   |  |                           |  |          |  |  |  |
| GENERAL TOLERANCES (UNLESS SPECIFIED)   |  |       |  | EC NO: 726545             |  |          |  | PLUG HOUSING OF ULTRA-FIT WTW SR POWER CONNECTOR |  |
| ANGULAR TOL ± °   |  |       |  | DRWN: LEOW 2022/10/31     |  |          |  |  |  |
| 4 PLACES ±  |  |       |  | CHK'D: EDUGGER 2022/11/01 |  |          |  | PRODUCT CUSTOMER DRAWING                         |  |
| 3 PLACES ±  |  |       |  | APPR: EDUGGER 2022/11/01  |  |          |  |  |  |
| 2 PLACES ± 0.2  |  |       |  | INITIAL REVISION:         |  |          |  | DOCUMENT NUMBER                                  |  |
| 1 PLACE ± 0.3   |  |       |  | DRWN: GLLI 2021/07/06     |  |          |  | 2025691000-SD                                    |  |
| 0 PLACES ±  |  |       |  | APPR: EDUGGER 2022/11/01  |  |          |  | DOC TYPE DOC PART REVISION                       |  |
| DRAFT WHERE APPLICABLE MUST REMAIN WITHIN DIMENSIONS  |  |       |  | THIRD ANGLE PROJECTION    |  | DRAWING  |  | SERIES   |  |
|   |  |       |  |                           |  | A3-SIZE  |  | 202569   |  |
|   |  |       |  | MATERIAL NUMBER           |  | CUSTOMER |  | SHEET NUMBER                                     |  |
|   |  |       |  | GENERAL MARKET            |  | 2 OF 6   |  |  |  |

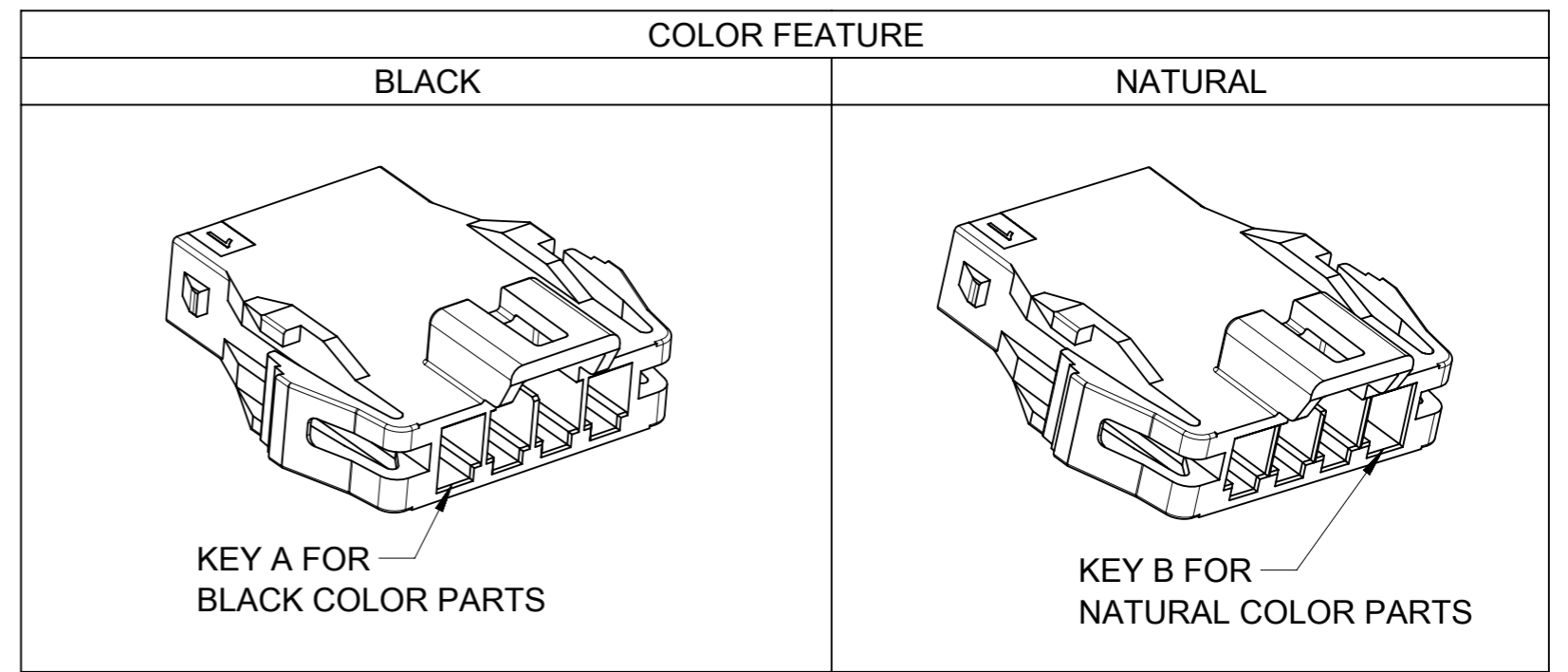
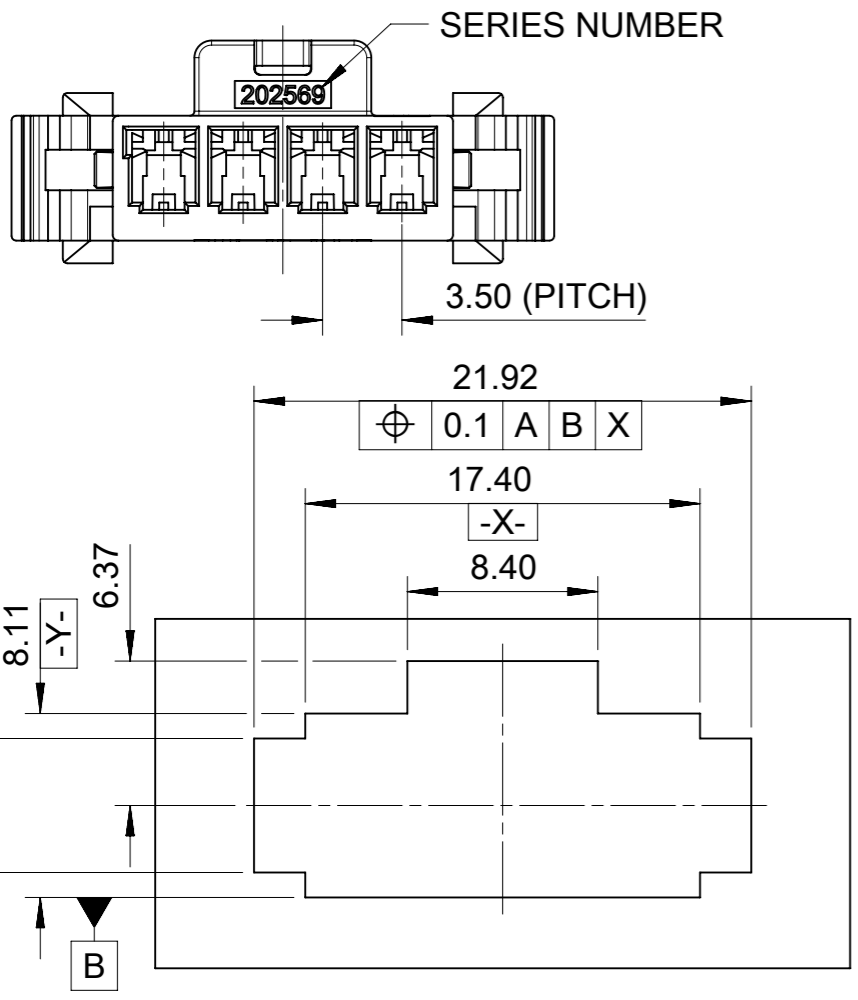
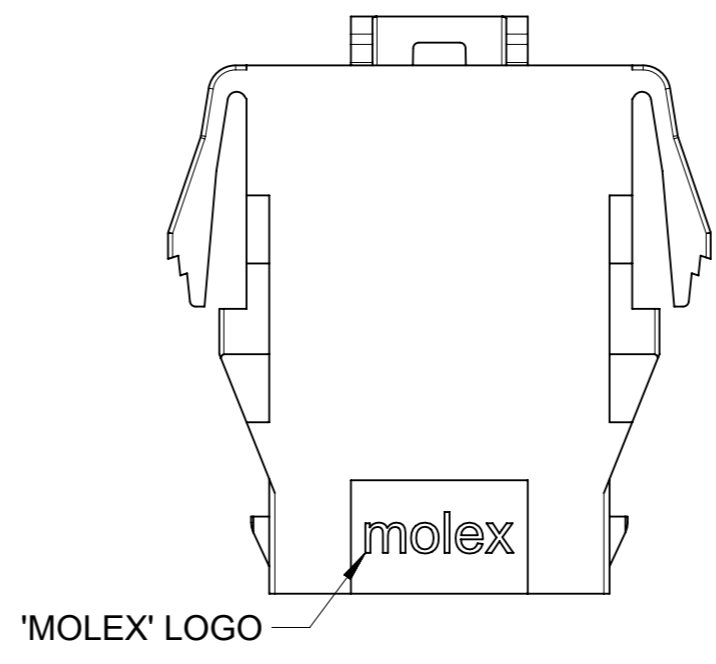
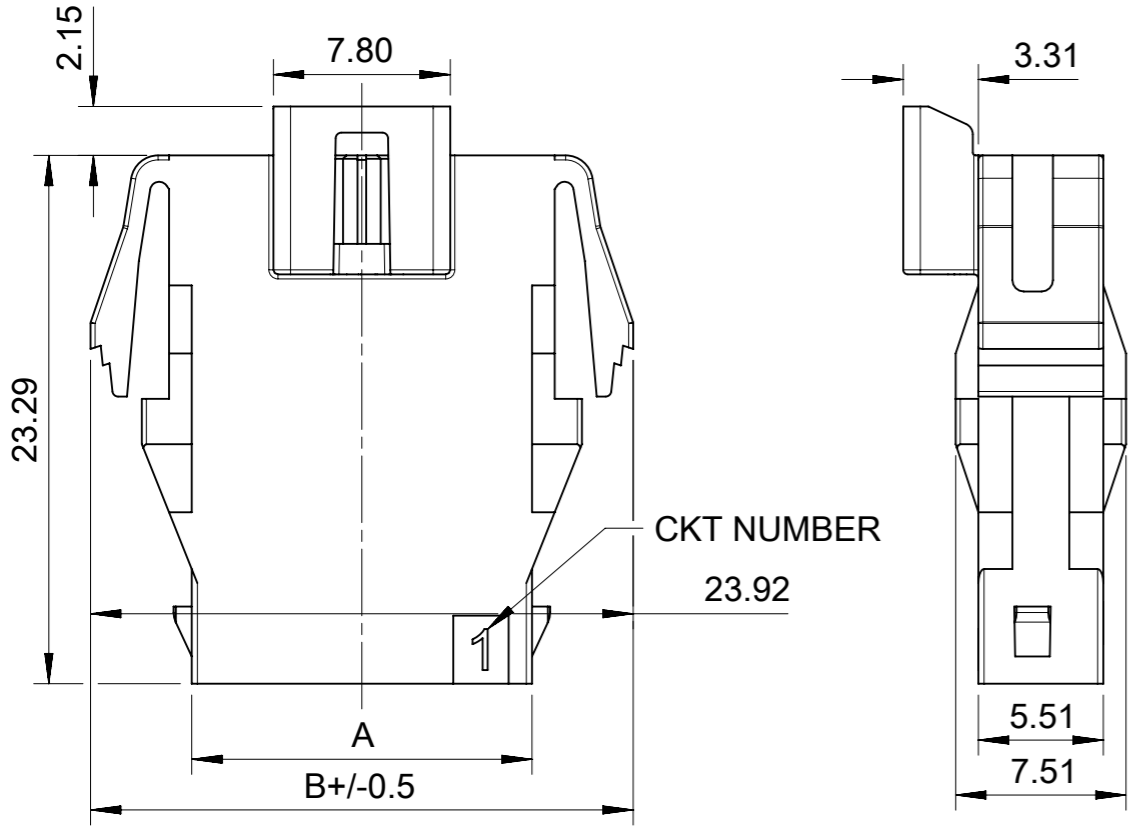
# FREE HANGING PLUG PARTS



|   |  |       |  |                           |  |                 |  |  |  |
|---|--|-------|--|---------------------------|--|-----------------|--|--|--|
| THIS DRAWING CONTAINS INFORMATION THAT IS PROPRIETARY TO MOLEX ELECTRONIC TECHNOLOGIES, LLC AND SHOULD NOT BE USED WITHOUT WRITTEN PERMISSION |  |       |  |                           |  |                 |  |  |  |
| DIMENSION UNITS   |  | SCALE |  | CURRENT REV DESC:         |  |                 |  | <b>molex</b>                                     |  |
| mm  |  | NTS   |  |                           |  |                 |  |  |  |
| GENERAL TOLERANCES (UNLESS SPECIFIED)   |  |       |  | EC NO: 726545             |  |                 |  | PLUG HOUSING OF ULTRA-FIT WTW SR POWER CONNECTOR |  |
| ANGULAR TOL ± °   |  |       |  | DRWN: LEOW 2022/10/31     |  |                 |  | PRODUCT CUSTOMER DRAWING                         |  |
| 4 PLACES ±  |  |       |  | CHK'D: EDUGGER 2022/11/01 |  |                 |  | DOCUMENT NUMBER                                  |  |
| 3 PLACES ±  |  |       |  | APPR: EDUGGER 2022/11/01  |  |                 |  | 2025691000-SD                                    |  |
| 2 PLACES ± 0.2  |  |       |  | INITIAL REVISION:         |  |                 |  | DOC TYPE   |  |
| 1 PLACE ± 0.3   |  |       |  | DRWN: GLLI 2021/07/06     |  |                 |  | PSD  |  |
| 0 PLACES ±  |  |       |  | APPR: EDUGGER 2022/11/01  |  |                 |  | DOC PART   |  |
| DRAFT WHERE APPLICABLE MUST REMAIN WITHIN DIMENSIONS  |  |       |  | THIRD ANGLE PROJECTION    |  | DRAWING         |  | REVISION   |  |
|   |  |       |  | A3-SIZE                   |  | SERIES          |  | SHEET NUMBER                                     |  |
|   |  |       |  |                           |  | 202569          |  | 3 OF 6   |  |
|   |  |       |  |                           |  | MATERIAL NUMBER |  | CUSTOMER   |  |
|   |  |       |  |                           |  | GENERAL MARKET  |  |  |  |

# PANEL MOUNT PLUG PARTS

| PART NUMBER | CIRCUIT SIZE | DIM 'A' | DIM 'B' | COLOR   | TYPE        |
|-------------|--------------|---------|---------|---------|-------------|
| 202569-3102 | 2            | 8.0     | 16.92   | BLACK   | PANEL MOUNT |
| 202569-3103 | 3            | 11.5    | 20.42   |         |             |
| 202569-3104 | 4            | 15.0    | 23.92   |         |             |
| 202569-3105 | 5            | 18.5    | 27.42   |         |             |
| 202569-3106 | 6            | 22.0    | 30.92   |         |             |
| 202569-3107 | 7            | 25.5    | 34.42   |         |             |
| 202569-3108 | 8            | 29.0    | 37.92   |         |             |
| 202569-4102 | 2            | 8.0     | 16.92   |         |             |
| 202569-4103 | 3            | 11.5    | 20.42   | NATURAL |             |
| 202569-4104 | 4            | 15.0    | 23.92   |         |             |
| 202569-4105 | 5            | 18.5    | 27.42   |         |             |
| 202569-4106 | 6            | 22.0    | 30.92   |         |             |
| 202569-4107 | 7            | 25.5    | 34.42   |         |             |
| 202569-4108 | 8            | 29.0    | 37.92   |         |             |



RECOMMENDED PANEL CUT OUT  
(TOLERRANCE +/-0.05 THICKNESS=1.2~2.2MM)

| DIMENSION UNITS                                      |  | SCALE                  | CURRENT REV DESC:  |        |                 |                |              |
|--|--|------------------------|--|--------|-----------------|----------------|--------------|
| mm   |  | NTS                    | <p><b>molex</b></p> <p>PLUG HOUSING OF ULTRA-FIT WTW SR POWER CONNECTOR</p> <p>PRODUCT CUSTOMER DRAWING</p>        |        |                 |                |              |
| GENERAL TOLERANCES (UNLESS SPECIFIED)                |  |                        | <p>EC NO: 726545</p> <p>DRWN: LEOW 2022/10/31</p> <p>CHK'D: EDUGGER 2022/11/01</p> <p>APPR: EDUGGER 2022/11/01</p> |        |                 |                |              |
| ANGULAR TOL ± °                                      |  |                        | <p>INITIAL REVISION:</p> <p>DRWN: GLLI 2021/07/06</p> <p>APPR: EDUGGER 2022/11/01</p>                              |        |                 |                |              |
| 4 PLACES ±   |  |                        | <p>DOCUMENT NUMBER: 2025691000-SD</p> <p>DOC TYPE: PSD</p> <p>DOC PART: 000</p> <p>REVISION: A</p>                 |        |                 |                |              |
| 3 PLACES ±   |  |                        |  |        |                 |                |              |
| 2 PLACES ± 0.2                                       |  |                        |  |        |                 |                |              |
| 1 PLACE ± 0.3  |  |                        |  |        |                 |                |              |
| 0 PLACES ±   |  |                        |  |        |                 |                |              |
| DRAFT WHERE APPLICABLE MUST REMAIN WITHIN DIMENSIONS |  | THIRD ANGLE PROJECTION | DRAWING  | SERIES | MATERIAL NUMBER | CUSTOMER       | SHEET NUMBER |
|  |  |                        | A3-SIZE  | 202569 |                 | GENERAL MARKET | 4 OF 6       |

10

9

8

7

6

5

4

3

2

1

F

F

E

E

D

D

C

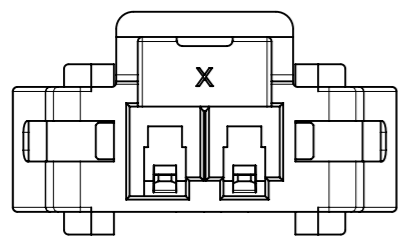
C

B

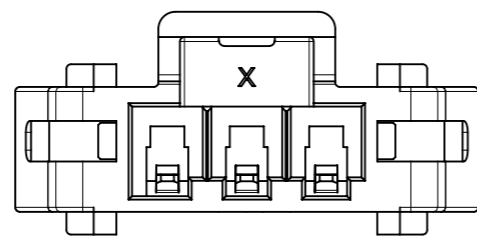
B

A

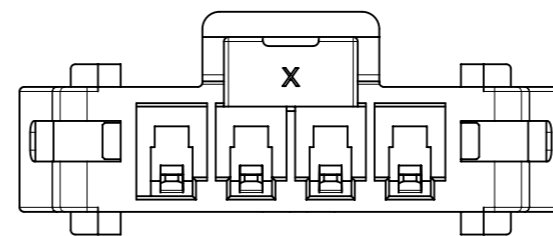
A



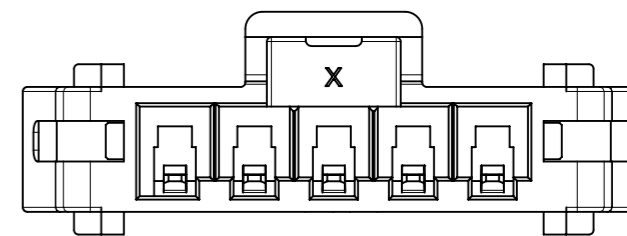
2CKT



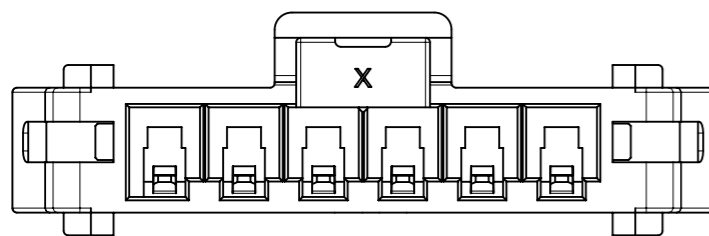
3CKT



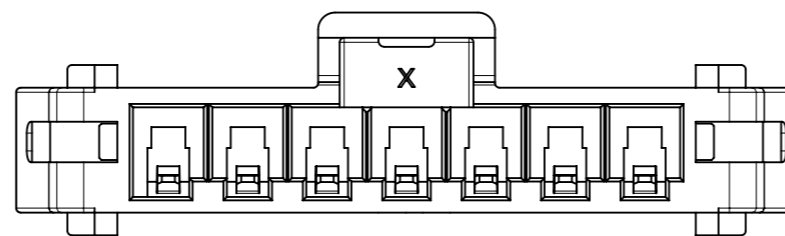
4CKT



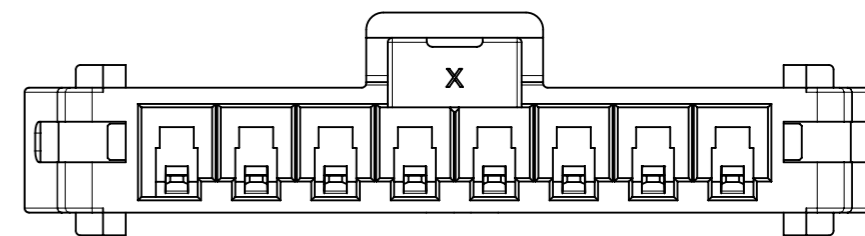
5CKT



6CKT



7CKT



8CKT

|   |  |       |  |   |  |         |  |  |  |                |  |          |  |
|---|--|-------|--|---|--|---------|--|--|--|----------------|--|----------|--|
| THIS DRAWING CONTAINS INFORMATION THAT IS PROPRIETARY TO MOLEX ELECTRONIC TECHNOLOGIES, LLC AND SHOULD NOT BE USED WITHOUT WRITTEN PERMISSION |  |       |  |   |  |         |  |  |  |                |  |          |  |
| DIMENSION UNITS   |  | SCALE |  | CURRENT REV DESC:   |  |         |  | <b>molex</b>                                     |  |                |  |          |  |
| mm  |  | NTS   |  |   |  |         |  |  |  |                |  |          |  |
| GENERAL TOLERANCES (UNLESS SPECIFIED)   |  |       |  | EC NO: 726545<br>DRWN: LEOW 2022/10/31<br>CHK'D: EDUGGER 2022/11/01<br>APPR: EDUGGER 2022/11/01<br>INITIAL REVISION:<br>DRWN: GLLI 2021/07/06<br>APPR: EDUGGER 2022/11/01 |  |         |  | PLUG HOUSING OF ULTRA-FIT WTW SR POWER CONNECTOR |  |                |  |          |  |
| ANGULAR TOL ± °   |  |       |  |   |  |         |  | PRODUCT CUSTOMER DRAWING                         |  |                |  |          |  |
| 4 PLACES ±  |  |       |  |   |  |         |  | DOCUMENT NUMBER                                  |  | DOC TYPE       |  | DOC PART |  |
| 3 PLACES ±  |  |       |  |   |  |         |  | 2025691000-SD                                    |  | PSD            |  | 000      |  |
| 2 PLACES ± 0.2  |  |       |  |   |  |         |  | SERIES   |  | CUSTOMER       |  | REVISION |  |
| 1 PLACE ± 0.3   |  |       |  |   |  |         |  | A3-SIZE  |  | GENERAL MARKET |  | A        |  |
| 0 PLACES ±  |  |       |  | SHEET NUMBER  |  |         |  | 5 OF 6   |  |                |  |          |  |
| DRAFT WHERE APPLICABLE MUST REMAIN WITHIN DIMENSIONS  |  |       |  | THIRD ANGLE PROJECTION  |  | DRAWING |  | MATERIAL NUMBER                                  |  |                |  |          |  |
|   |  |       |  |   |  | A3-SIZE |  | 202569   |  |                |  |          |  |

|                 |    |              |            |          |
|-----------------|----|--------------|------------|----------|
| DOCUMENT STATUS | P1 | RELEASE DATE | 2022/11/01 | 13:33:31 |
|-----------------|----|--------------|------------|----------|

9

8

7

6

5

4

3

2

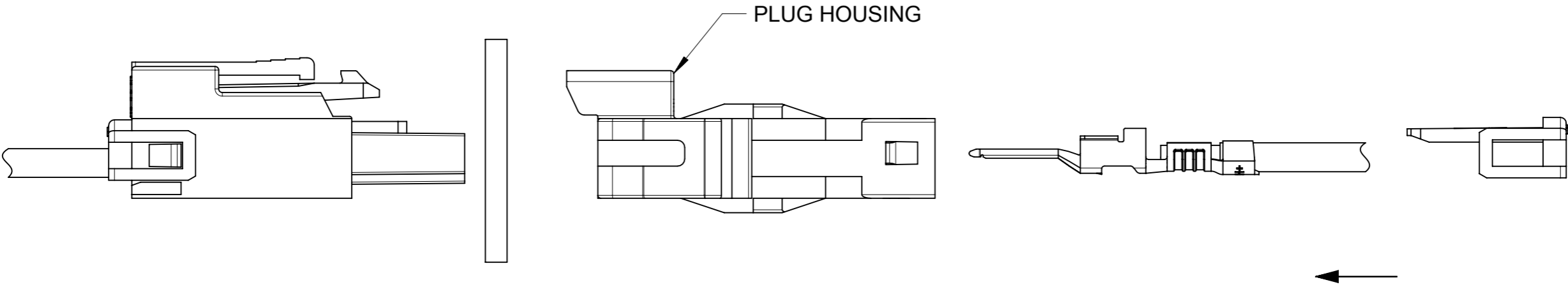
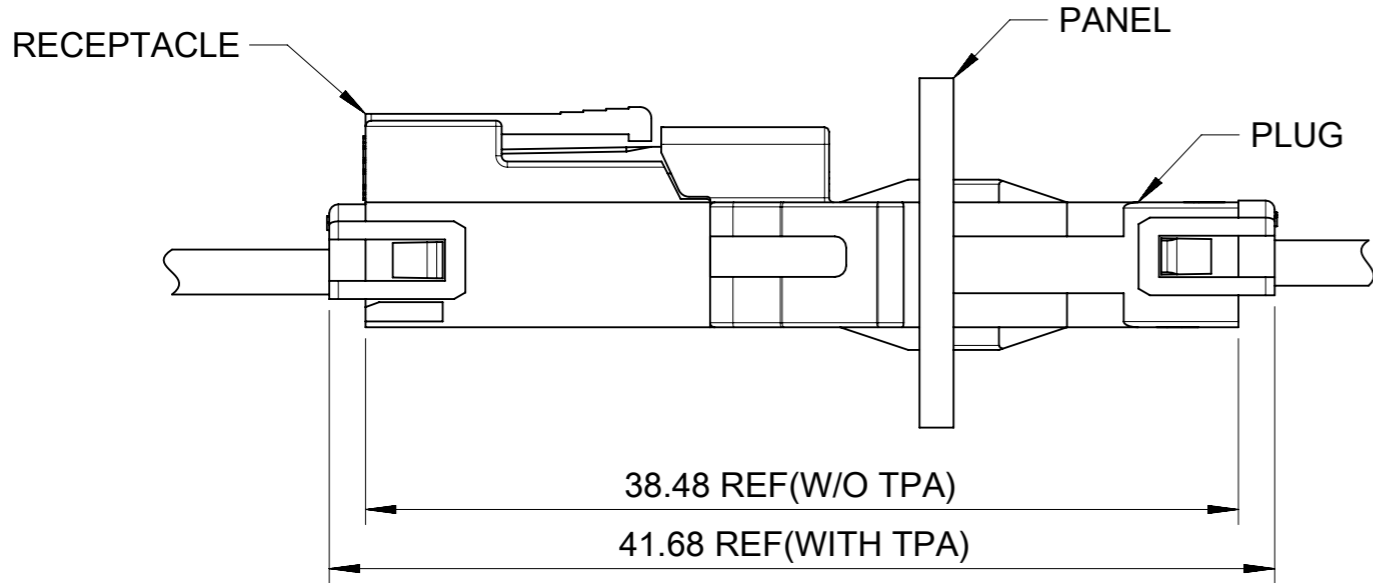
1

FORMAT: master-b-prod-A3

REVISION: 11

DATE: 2021/05/01

# PANEL MOUNT PLUG PARTS



←  
PLUG TERMINAL AND TPA ORIENTATION

|   |  |                        |  |   |  |        |  |  |  |                |          |              |
|---|--|------------------------|--|---|--|--------|--|--|--|----------------|----------|--------------|
| THIS DRAWING CONTAINS INFORMATION THAT IS PROPRIETARY TO MOLEX ELECTRONIC TECHNOLOGIES, LLC AND SHOULD NOT BE USED WITHOUT WRITTEN PERMISSION |  |                        |  |   |  |        |  |  |  |                |          |              |
| DIMENSION UNITS   |  | SCALE                  |  | CURRENT REV DESC:   |  |        |  | <b>molex</b>                                     |  |                |          |              |
| mm  |  | NTS                    |  |   |  |        |  |  |  |                |          |              |
| GENERAL TOLERANCES (UNLESS SPECIFIED)   |  |                        |  | EC NO: 726545<br>DRWN: LEOW 2022/10/31<br>CHK'D: EDUGGER 2022/11/01<br>APPR: EDUGGER 2022/11/01<br>INITIAL REVISION:<br>DRWN: GLLI 2021/07/06<br>APPR: EDUGGER 2022/11/01 |  |        |  | PLUG HOUSING OF ULTRA-FIT WTW SR POWER CONNECTOR |  |                |          |              |
| ANGULAR TOL ± °   |  |                        |  |   |  |        |  | PRODUCT CUSTOMER DRAWING                         |  |                |          |              |
| 4 PLACES ±  |  |                        |  |   |  |        |  | DOCUMENT NUMBER                                  |  | DOC TYPE       | DOC PART | REVISION     |
| 3 PLACES ±  |  |                        |  |   |  |        |  | 2025691000-SD                                    |  | PSD            | 000      | A            |
| 2 PLACES ± 0.2  |  |                        |  |   |  |        |  | MATERIAL NUMBER                                  |  | CUSTOMER       |          | SHEET NUMBER |
| 1 PLACE ± 0.3   |  |                        |  |   |  |        |  | 202569   |  | GENERAL MARKET |          | 6 OF 6       |
| 0 PLACES ±  |  |                        |  | DRAWING   |  | SERIES |  |  |  |                |          |              |
| DRAFT WHERE APPLICABLE MUST REMAIN WITHIN DIMENSIONS  |  | THIRD ANGLE PROJECTION |  | A3-SIZE   |  | 202569 |  |  |  |                |          |              |