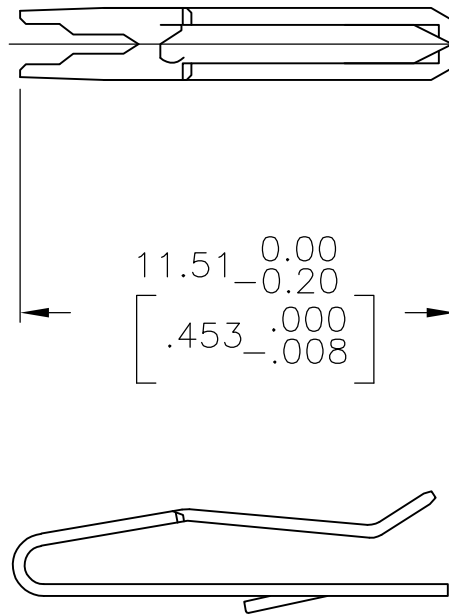


REVISIONS					
P	LTR	DESCRIPTION	DATE	DWN	APVD
	E	REVISED PER ECR-17-018816	05APR2018	BDA	SG

1. DIMENSION IN BRACKETS ARE IN INCHES.

 OBSOLETE PARTS




	TIN	641643-2
	TIN-LEAD	-641643-1
	FINISH	PART NO

RELEASED FOR PUBLICATION

ALL RIGHTS RESERVED.

THIS DRAWING IS UNPUBLISHED.

© COPYRIGHT - TE Connectivity Ltd.

DIMENSIONS: mm [INCHES]	DWN L.SMITH	20JAN94	MATERIAL 0.30[.012] THK COPPER ALLOY	FINISH MATTE TIN OR BRIGHT TIN LEAD 0.00203[.000080] MIN THK		
	CHK R.SWING	20JAN94	 TE Connectivity Ltd.			
TOLERANCES UNLESS OTHERWISE SPECIFIED:	APVD E.BEILES	27JAN94			NAME CONTACT,0.36-0.51[.014-.020] POST LOOSE PIECE 22 AWG WIRE,MTA-100	
0 PLC ± -	PRODUCT SPEC	-	SIZE	CAGE CODE	DRAWING NO	RESTRICTED TO
1 PLC ± -	APPLICATION SPEC	-	A4	00779	C-641643	-
2 PLC ± -	WEIGHT	-	CUSTOMER DRAWING			SCALE
3 PLC ± -			SCALE 5:1			SHEET
4 PLC ± -			SHEET 1 OF 1			REV
ANGLES ± -			REV E			