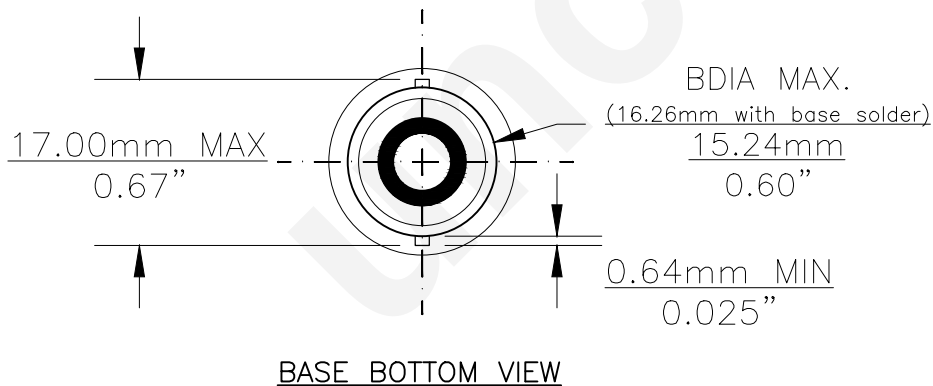
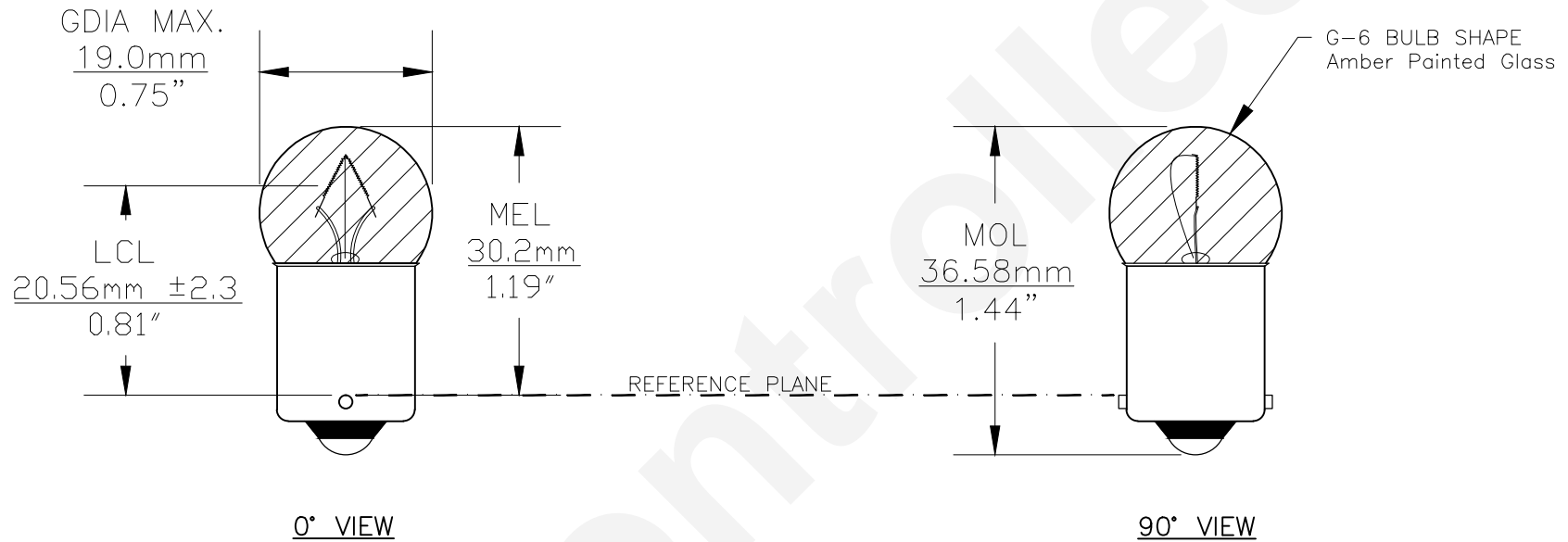




PART NO.	BASE TYPE	DESIGN VOLTS	DESIGN AMPS	MSCD	FILAMENT TYPE	AVERAGE LIFE HOURS	REVISIONS			
							REV #	DESCRIPTION	DATE	APPROVED
97A	S.C. BAYONET (BA15s)	13.5V	0.69 ±8%	0.32 ±15%	C-2V	5000	1	ISSUED	05/29/2014	R.M.



Note: Made according to SAE specifications

UNLESS OTHERWISE SPECIFIED: DIMENSIONS ARE IN INCHES TOLERANCES		CEC INDUSTRIES LTD			
DECIMALS .XX ± .05	ANGULAR ± 0.5°	599 BOND STREET		LINCOLNSHIRE, IL 60069	
.XXX ± .010	FRACTIONAL ± 1/64	TITLE LIGHT BULB NO. 97A			
DRAWN ROSE MEDINA	DATE 05/29/2014	SIZE A	FSCM NO.	DWG NO. 97A	REV 1
CHECKED	DESIGN	SCALE	PLOT SCALE	SHEET 1 OF 1	
MATERIAL	FILE 97A.pdf	DRAWING NOT TO SCALE			