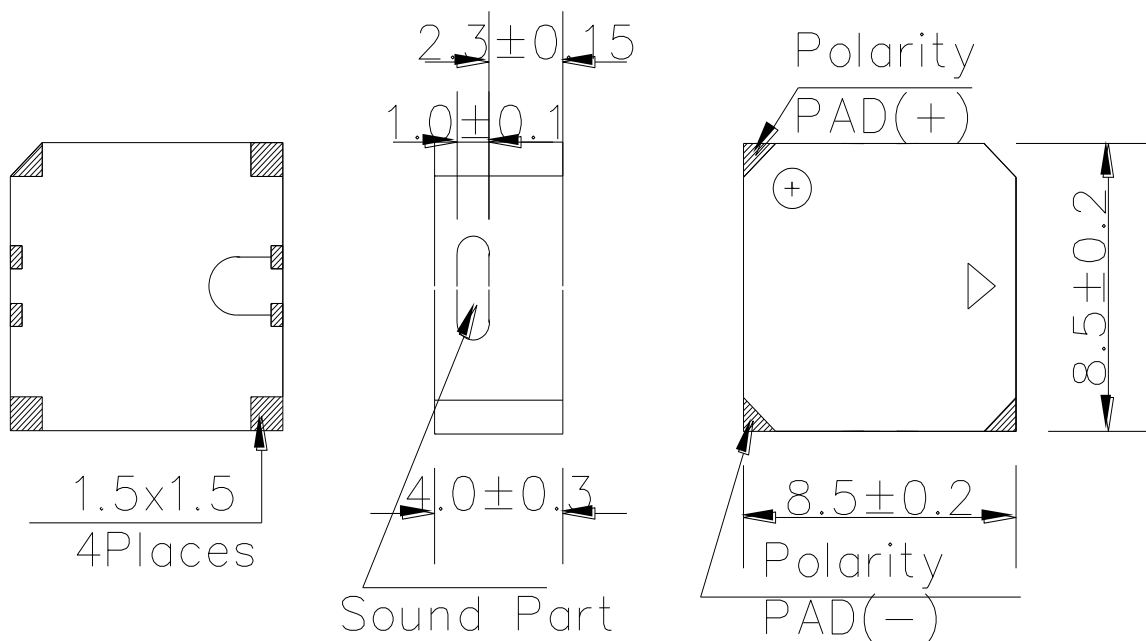


Sales Outline Drawing

**May not be suitable for all medical and aerospace applications.
Specifications: Contact Mallory Sonalert to discuss your application.**

NO CIRCUITRY

Oscillation Frequency (Hz)	2300 ± 500
Operating Voltage (Vp-p)	2.0 ~ 4.0
Rated Voltage (Vp-p)	3.0
Current Consumption Max. (mA)	80 at Rated Voltage
Sound Pressure Level (dB/min)	83 at 10cm at Rated Voltage
Coil Resistance (Ω)	15 ± 2
Operating Temperature (°C)	-20 ~ +70
Storage Temperature (°C)	-30 ~ +80
Housing	LCP plastic resin (Color: Black)
Weight (Grams)	0.6
Condition by wave soldering (°C)	250 ± 5 / within 5 sec
Condition by hand soldering (°C)	350 ± 20 / within 5 sec
Options	For other options contact factory

Dimensions: (units: mm)**PS: Vp-p = 1/2duty, square wave****RoHS Compliant**

Units do not come with wash label and are not appropriate for aqueous wash.