

Steward

Advanced Ferrite Materials, EMI Suppression, and Inductive Products

Home • Ferrite Product Lines • New Products • Technical • General • Contact • Steward Sales

CM5740Z241B-00

STEWARD PART NUMBERING SYSTEM					
CM	5441	Z	990	B	- 00
PRODUCT SERIES CODE	PART SIZE CODE	RATED CURRENT CODE	IMPEDANCE VALUE CODE	PACKAGING CODE	ADDITIONAL DESCRIPTION

Ambient Operating Temperature Range -55°C to + 125°C

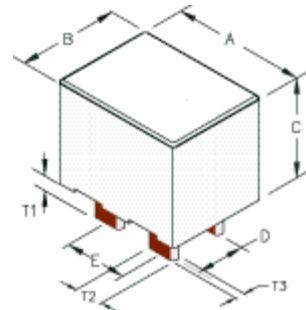


Figure #1

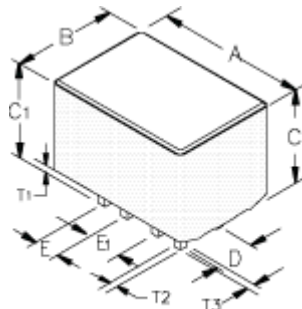


Figure #2

Drawing Figure

Figure Number
2

Electrical Characteristics

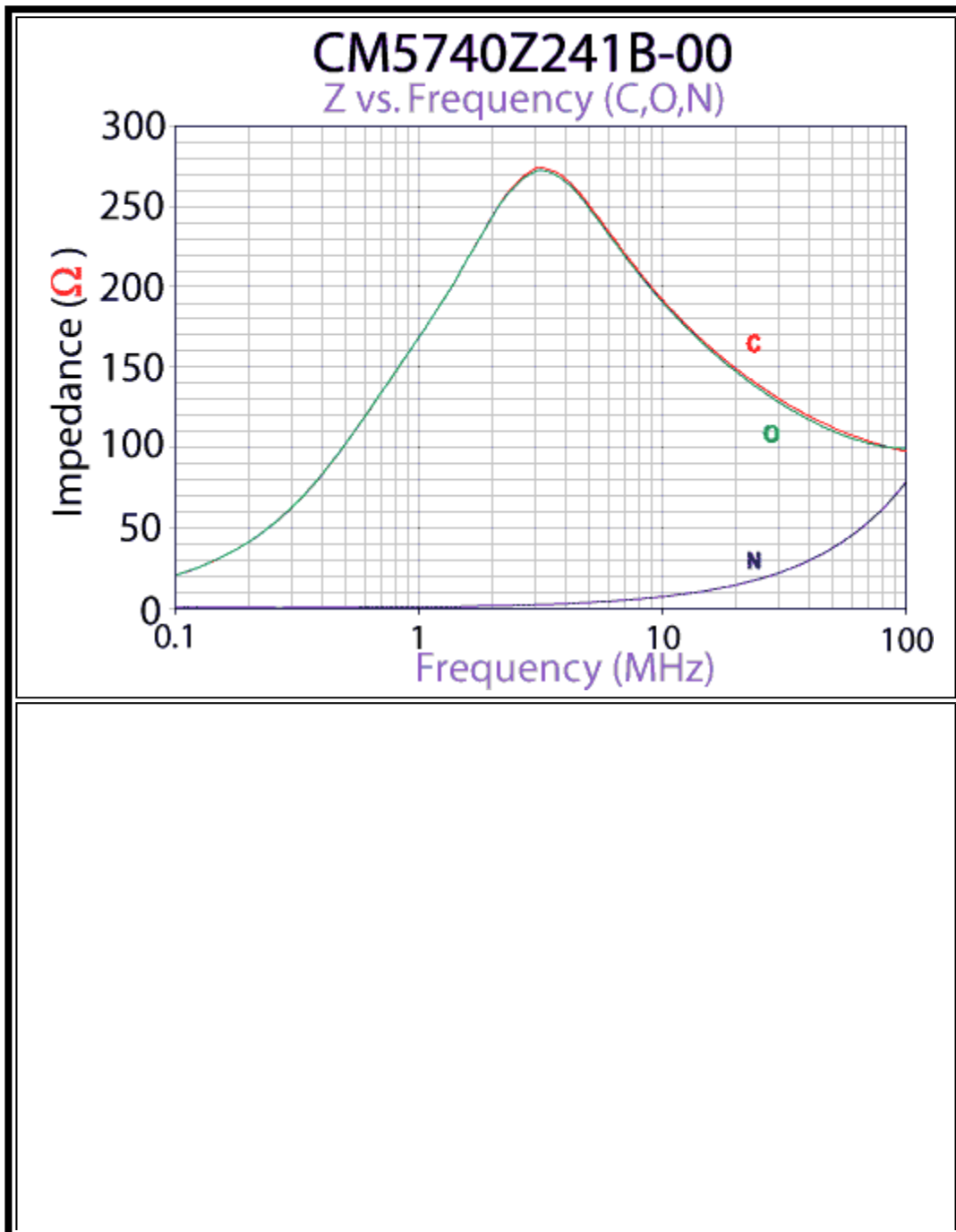
DCR Max	Rated Current mA	Z @ 4 MHz
0.0013	20000	240

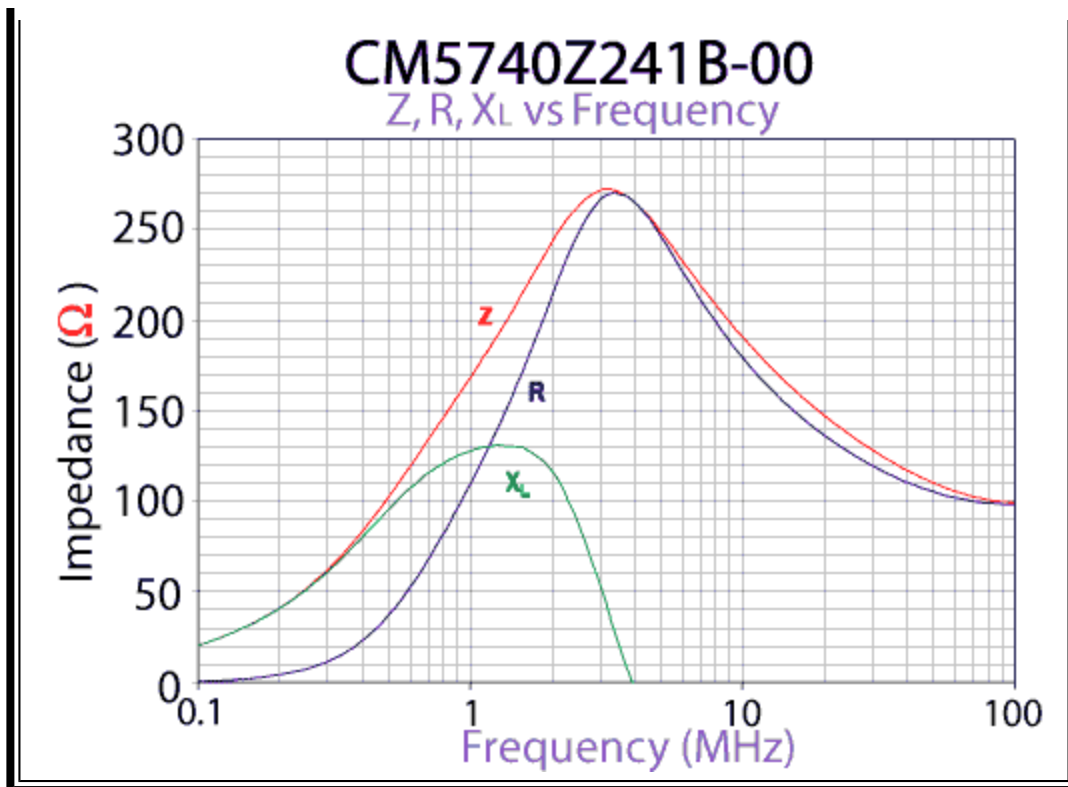
Physical Dimensions

A mm	B mm	C mm	C1 mm	D mm	E mm	E1 mm	A in	B in	C in	C1 in	D in	E in	E1 in
14.48	10.03	9.32	12.90	4.06	2.54	3.43	0.570	0.395	0.367	0.508	0.160	0.100	0.135

Wire Dimensions

T1 mm	T2 mm	T3 mm	T1 in	T2 in	T3 in
3.12	0.76	0.76	0.123	0.030	0.030





Specifications, which provide more details for the correct use of the described products, are available upon request. All specifications are subject to change without notice. For more information on any of the products listed above, please contact Steward customer service department at (800) 634-2673.

americas@steward.commexico@steward.comeuropa@steward.comasia@steward.com

Copyright© 2004 Steward, Inc.

Last Updated: 2/11/2004