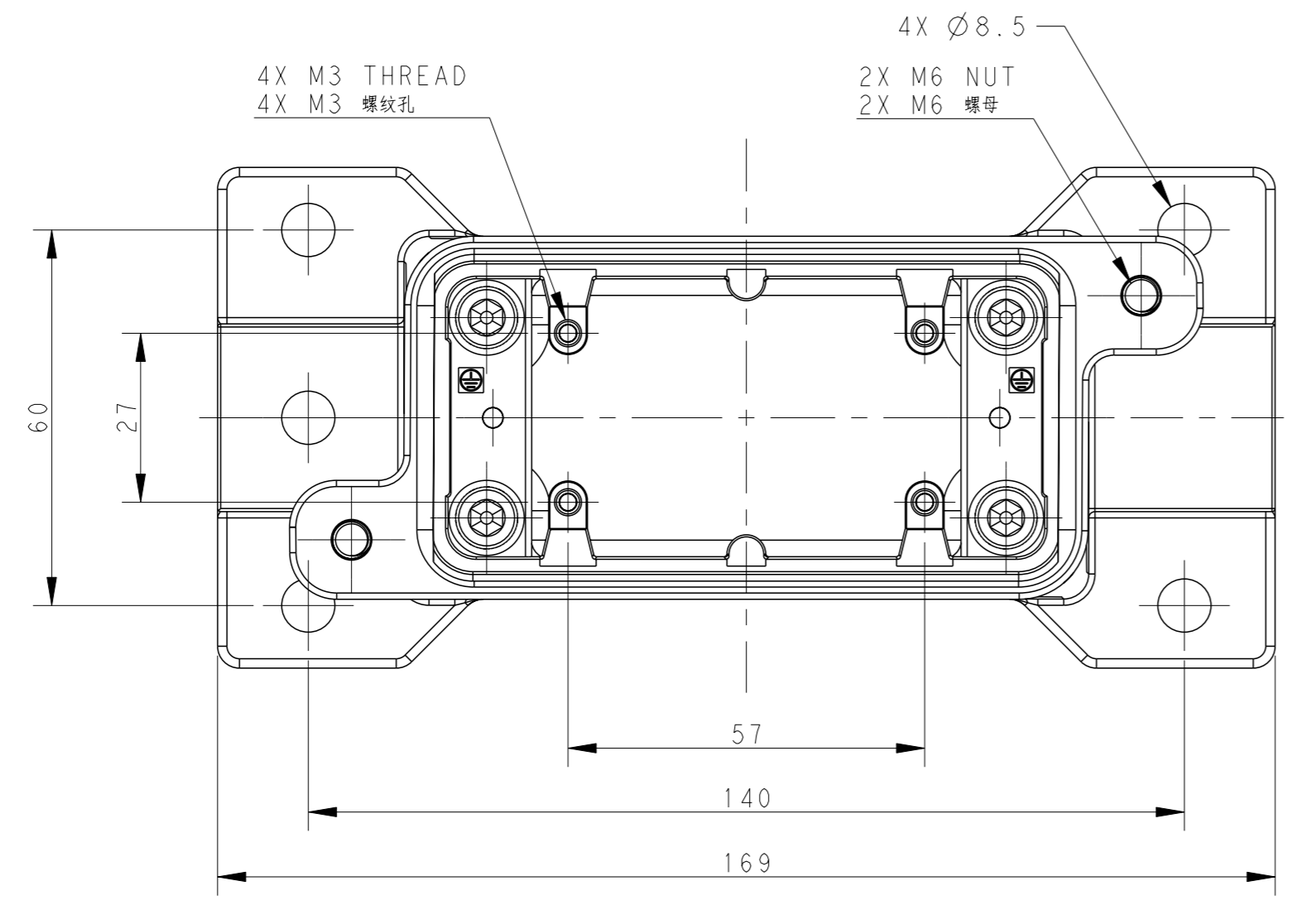
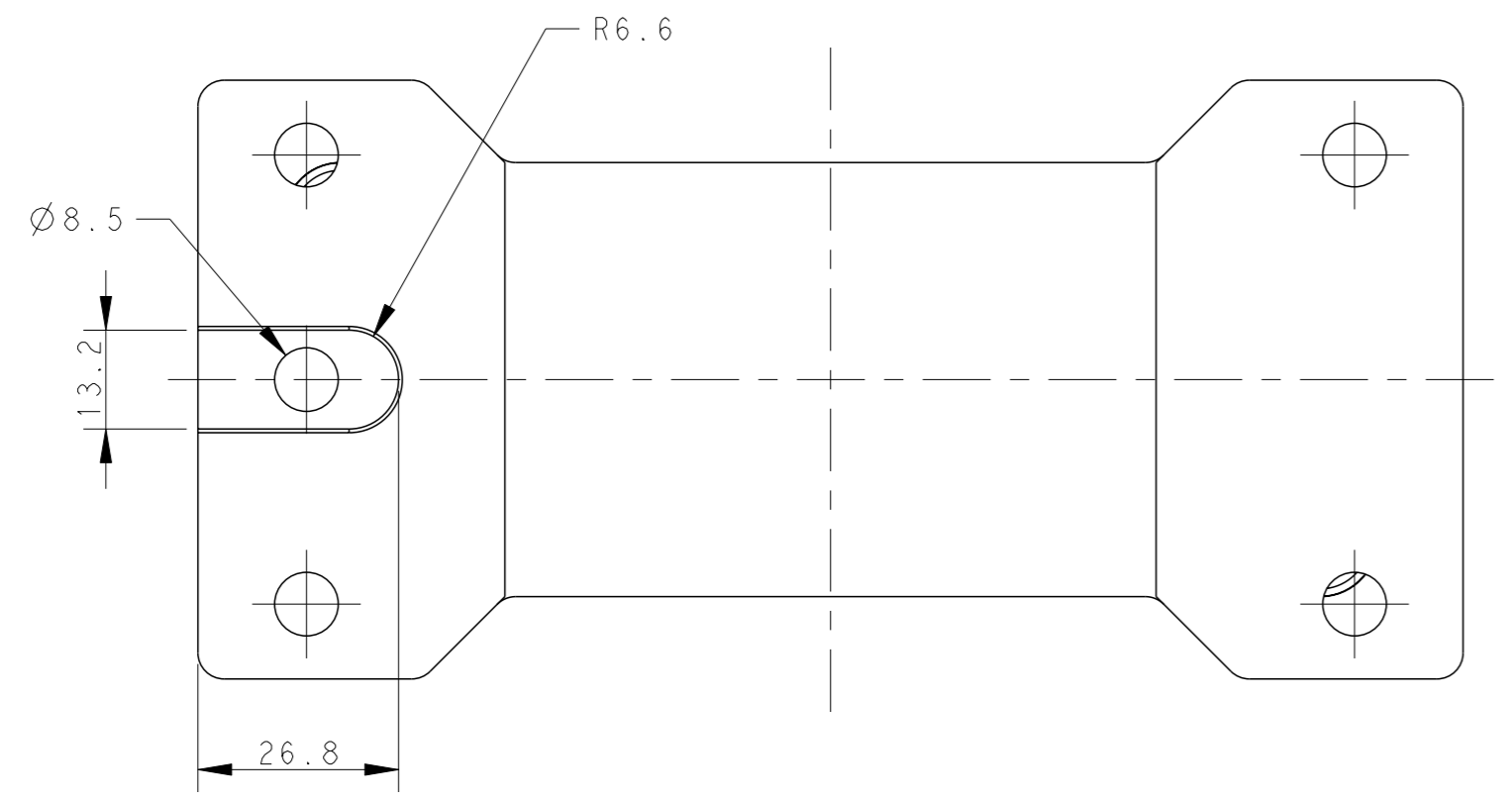
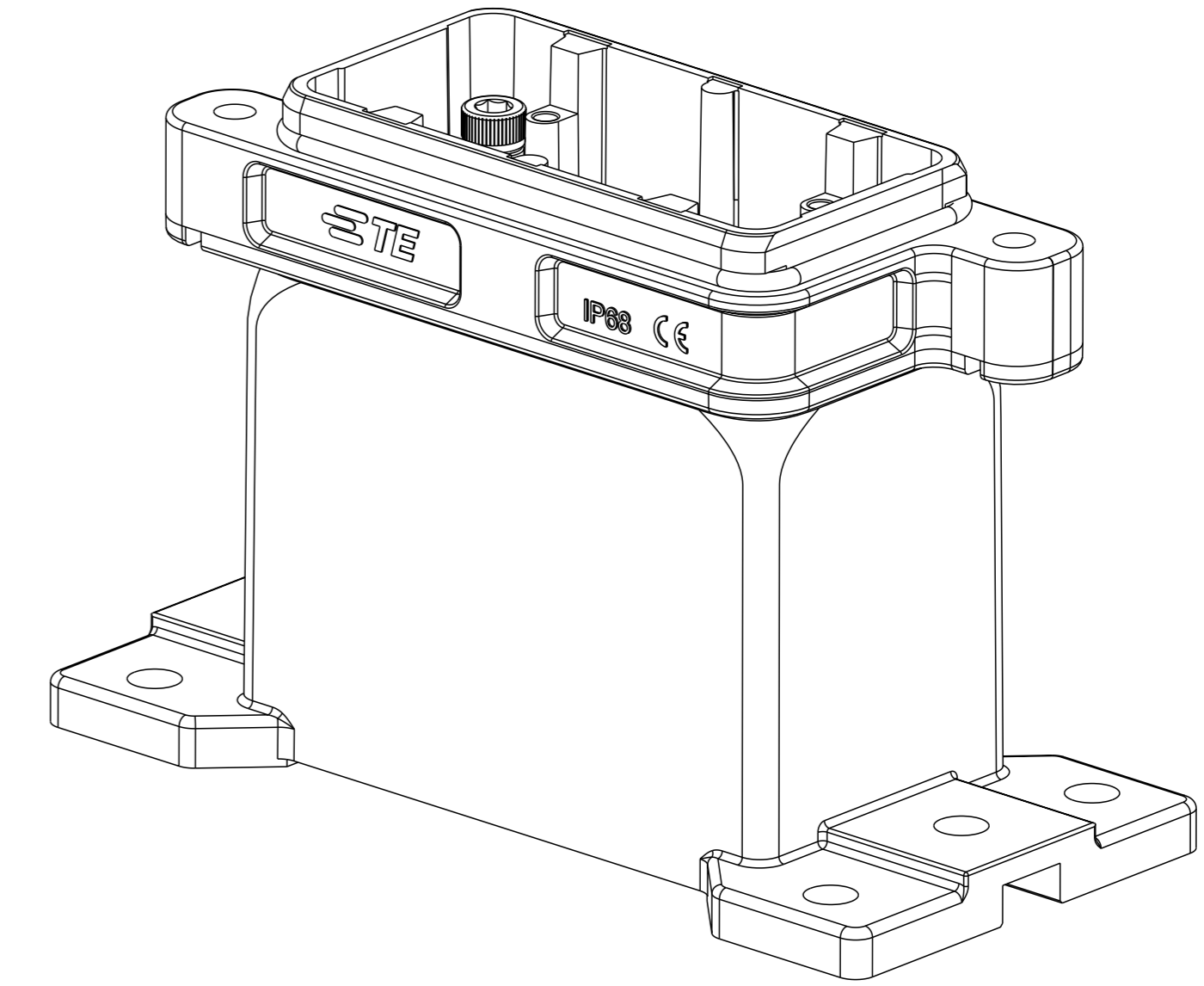
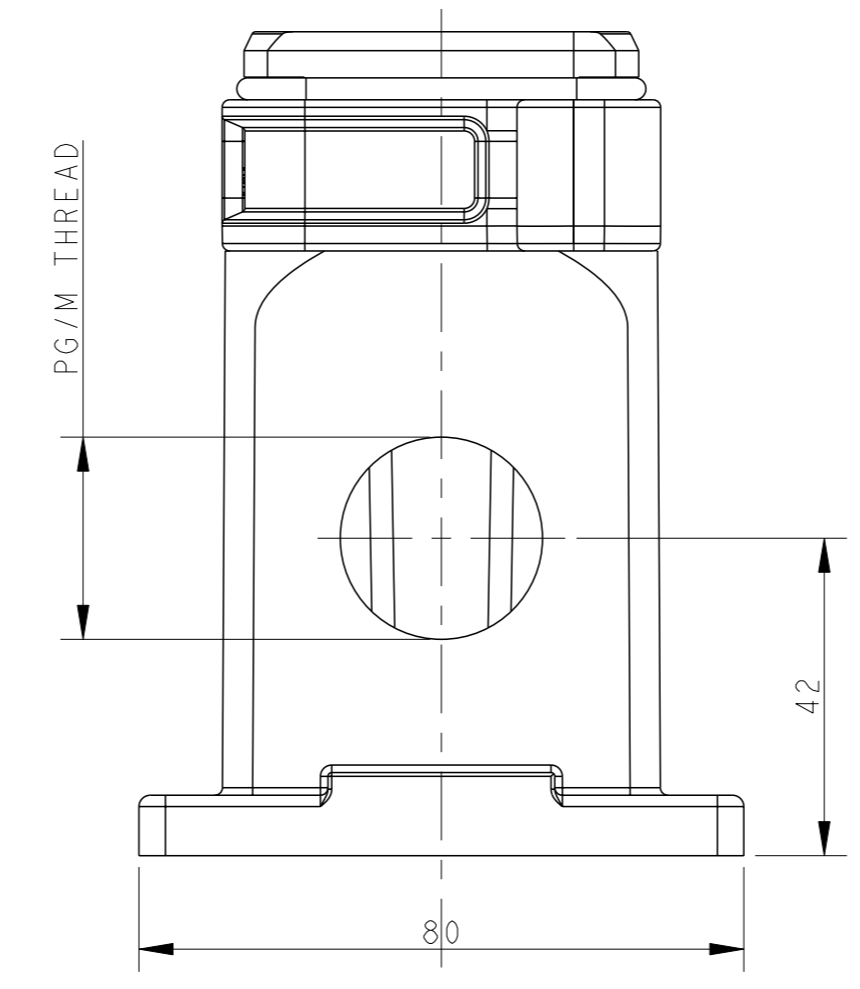
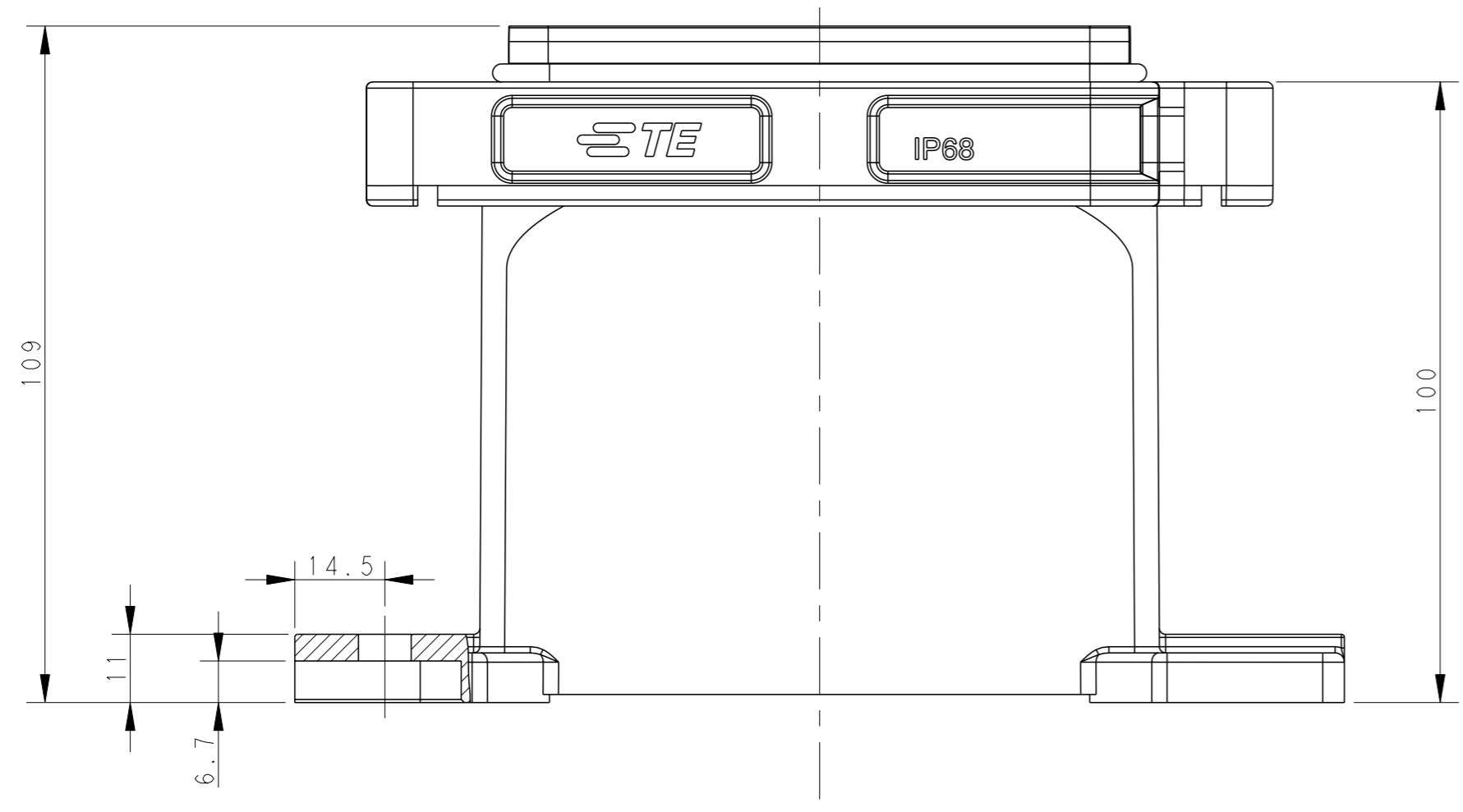


REVISIONS				
#	LY#	DESCRIPTION	DATE	OWN APVD
A		INITIAL RELEASE	19SEP2016	DW CW
B		ECR-20-016312	04JUN2021	BS CW



NOTES:  
 1. TECHNICAL CHARACTERISTICS:  
 HOUSING MATERIAL: DIE CAST ALUMINIUM ALLOY  
 SURFACE TREATMENT: SEE TABLE  
 DEGREE OF PROTECTION: IP68 (MATED)

注释:  
 1. 技术参数:  
 壳体材料: 铝合金  
 表面处理: 见表格  
 防护等级: IP68 (配合)



PART NUMBER	料号	PART DESCRIPTION	描述	PG/M THREAD	螺紋
T1950100132-009	H10BPR-SGRH-M32-EMC-C	H10BPR HOUSING, DIAGONAL LOCKING, SURFACE MOUNTED, SIDE ENTRY M32 POWDER COATED, BLACK / H10BPR 对角锁定表面下壳M32 黑色		M32	
T1950100129-009	H10BPR-SGRH-PG29-EMC-C	H10BPR HOUSING, DIAGONAL LOCKING, SURFACE MOUNTED, SIDE ENTRY PG29 POWDER COATED, BLACK / H10BPR 对角锁定表面下壳PG29 黑色		PG29	
T1950100125-009	H10BPR-SGRH-M25-EMC-C	H10BPR HOUSING, DIAGONAL LOCKING, SURFACE MOUNTED, SIDE ENTRY M25 POWDER COATED, BLACK / H10BPR 对角锁定表面下壳M25 黑色		M25	
T1950100121-009	H10BPR-SGRH-PG21-EMC-C	H10BPR HOUSING, DIAGONAL LOCKING, SURFACE MOUNTED, SIDE ENTRY PG21 POWDER COATED, BLACK / H10BPR 对角锁定表面下壳PG21 黑色		PG21	

THIS DRAWING IS A CONTROLLED DOCUMENT.		DAVID WANG 19SEP2016	TE Connectivity NAME: H10BPR-SGRH-PG/M-EMC-C
DIMENSIONS: mm		Chris.Wang 19SEP2016	
TOLERANCES UNLESS OTHERWISE SPECIFIED:		APVD: Xiang Xu 19SEP2016	SIZE: A1
0 PLC ±	1 PLC ±	PRODUCT SPEC	CAGE CODE: -
2 PLC ±	3 PLC ±	APPLICATION SPEC	DRAWING NO: 108-137191
4 PLC ±	ANGLES FINISH	RESTRICTED TO	SCALE: 1:1
MATERIAL: -	FINISH: -	WEIGHT: -	SHEET: 1 OF 1
CUSTOMER DRAWING		REV: B	