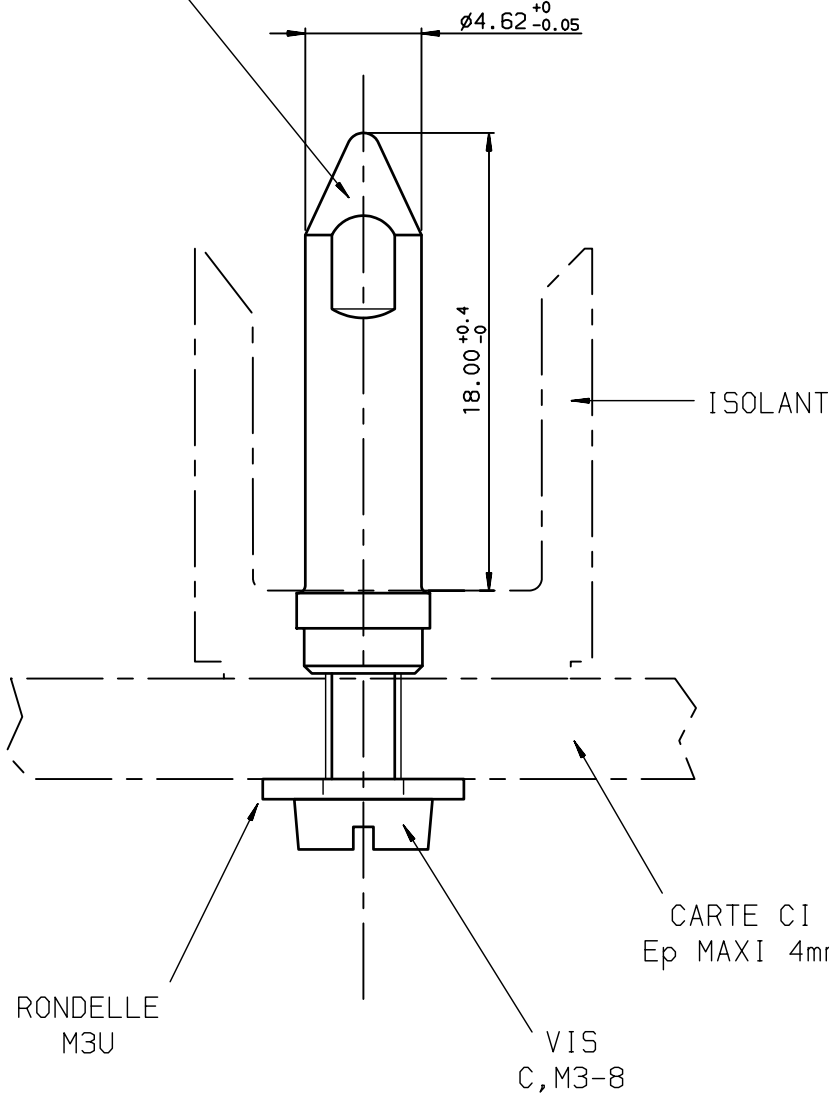


GUIDE D'ACCOUPLMENT



Kit packing definition:

- A- Primary packing:** 100 guide kits in a primary plastic bag (130 x 200):
 1- 100 washers placed in a closed small plastic bag (100 x 150)
 2- 100 screws placed in a closed small plastic bag (100 x 150)
 3- 100 guide pins placed directly in the primary bag
Note: the plastic bags are closed and stapled
- B- Secondary packing:** 1000 guide kits in a carton box (C4 size):
 20 primary bags placed in the carton box

Definition de l'emballage des kits

- A- Emballage primaire:** 100 kits dans un grand sachet plastique (130 x 200):
 1- 100 rondelles mises dans un petit sachet plastique (100 x 150)
 1- 100 écrous mis dans un petit sachet plastique (100 x 150)
 3- 100 guides mis directement dans le grand sac plastique
Nota: Les sacs plastiques sont fermés et agrafés
- B- Emballage secondaire:** 1000 kits mis dans une boîte carton (taille C4)
 20 sachets de 100 kits mis dans la boîte carton

REF. COMMERCIALE: HM13105LF

NOTE:RoHS INFORMATIONS

- The "LF" product meets European union Directives and other country regulations as described in 65-22-008.
- The product is not intended to be exposed to a manufacturing solder process.
- Packaging spec: see 65-14-920.

c Add the Packaging definition notes

European Views

www.fciconnect.com		surface ISO 1302 <input checked="" type="checkbox"/>	tolerance std ISO 406 ISO 1101	projection 	mm
TOLERANCES UNLESS OTHERWISE SPECIFIED					
Dr	CHAILLEUX	2005/10/13	ANGULAR	0.X ±0.1	size A3 Scale 2.5
Eng	TARON	2005/10/13	LINEAR	0.XX ±0.1	ECN LS06-0209
Chr	LEGARE	2005/10/13	0.XX ±2°	0.XXX ±0.1	Spec ref -
Appr	LEGARE	2005/10/13	Product family METRAL		
FCj		title GUIDE MALE D'ACCOUPLMENT		dwg no C-8626-11285	Rev. C
		catalog no		CUSTOMER	sheet 1 of 1

rev	ecn no	dr	date
A	LS05-0086	JTA	2005/10/13
B	LS06-0095	LGO	2006/06/30
C	LS06-0209	LGO	2006/12/06
-	-	-	-
-	-	-	-
-	-	-	-
-	-	-	-