

IRA-S220ST01A01

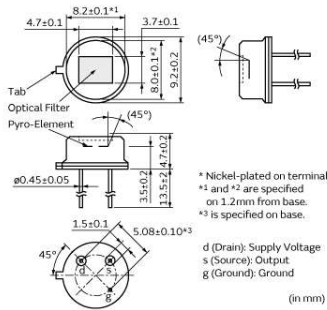
In Production

Recommended

RoHS

REACH

Appearance & Shape



Features

- Excellent Sensitivity & S/N ratio (Signal/Noise)
- Excellent Quality
- Excellent EMC

Applications

| | |
|-------------|-------------------------------------|
| Other Usage | Not available for Automotive usage. |
|-------------|-------------------------------------|

Packaging Information

| Packaging | Specifications | Standard Packing Quantity |
|-----------|----------------|---------------------------|
| - | Box | 100 |

Attention

- This datasheet is downloaded from the website of Murata Manufacturing Co., Ltd. Therefore, its specifications are subject to change or our products in it may be discontinued without advance notice. Please check with our sales representatives or product engineers before ordering.
- This datasheet has only typical specifications because there is no space for detailed specifications. Therefore, please review our product specifications or consult the approval sheet for product specifications before ordering.

IRA-S220ST01A01

Specifications

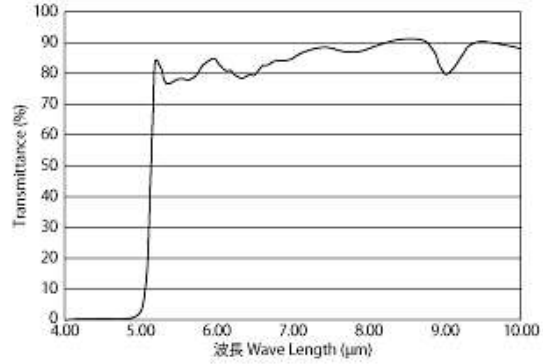
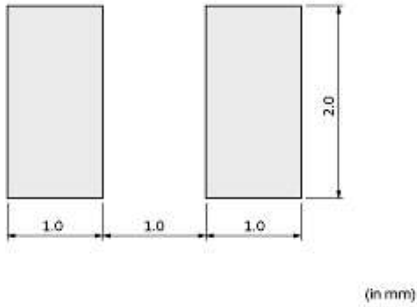
| | |
|-----------------------------|------------------------|
| Operating Temperature Range | -40°C to 70°C |
| Shape | Lead |
| Field of View | theta1=theta2=45deg. |
| Electrode | (2.0x1.0mm)x2 |
| Responsivity(typ.) | 4.6mV |
| Optical Filter | 5micro meter Long Pass |
| Supply Voltage Range | 2V to 15V |
| Storage Temperature Range | -40°C to 85°C |

Attention

- 1.This datasheet is downloaded from the website of Murata Manufacturing Co., Ltd. Therefore, it's specifications are subject to change or our products in it may be discontinued without advance notice. Please check with our sales representatives or product engineers before ordering.
- 2.This datasheet has only typical specifications because there is no space for detailed specifications. Therefore, please review our product specifications or consult the approval sheet for product specifications before ordering.

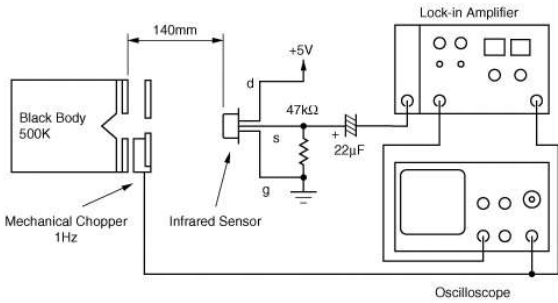
IRA-S220ST01A01

Product Data



Pyroelectric Element

Filter characteristics



Test circuit

Attention

1. This datasheet is downloaded from the website of Murata Manufacturing Co., Ltd. Therefore, its specifications are subject to change or our products in it may be discontinued without advance notice. Please check with our sales representatives or product engineers before ordering.
2. This datasheet has only typical specifications because there is no space for detailed specifications. Therefore, please review our product specifications or consult the approval sheet for product specifications before ordering.