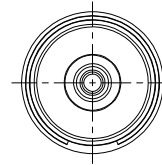
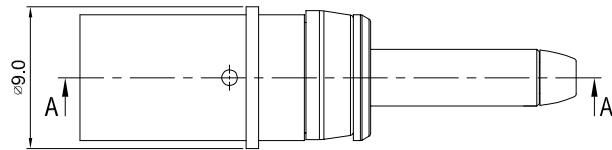
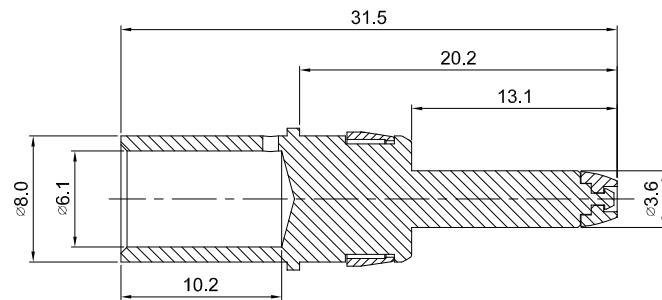


| REVISIONS | | | | | |
|-----------|-----|------------------------------|----------|-------|-------|
| REV | ECO | DESCRIPTION | DATE | BY | APPR |
| B1 | - | RELEASE NEW DWG FORMAT | 08/25/14 | DRACK | TOMMY |
| B2 | - | UPDATE THE LENGTH OF CONTACT | 10/09/15 | DRACK | TOMMY |

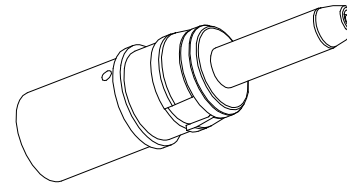


NOTES: UNLESS OTHERWISE SPECIFIED

- MATERIAL: COPPER ALLOY, SILVER PLATED
- SPECIFICATIONS:
 - RATED CURRENT: 86 AMPS
 - CONTACT RESISTANCE: <1.0 MILLIOHM
 - AVAILABLE WIRE RANGE: 10~16 MM²
 - RoHS COMPLIANT
- ALL DIMENSIONS ARE FOR REFERENCE USE ONLY.



SECTION A-A



| QUANTITY | SEE PART NUMBER CHART | DESCRIPTION | ITEM |
|--|-----------------------|--|--|
| | | | |
| MATERIALS LIST | | | |
| UNLESS OTHERWISE SPECIFIED 1) All dimensions are in metric(mm). 2) Tolerances are as follows: 1 PL DEC ±0.30 2 PL DEC ±0.15 3 PL DEC ±0.08 3) Note reference = | | SIGNATURES DRAWN: Drack CHECKED: ENGINEER: APPROVAL: CUSTOMER: | DATE 10/09/15 |
| MATERIAL SPECIFICATIONS: | | Sine Systems - www.amphenol-sine.com 44724 Morley Drive Clinton Township, MI 48036 ECO-MATE,3.6MM PIN CONTACT,CRIMP 10~16MM ² | |
| PROCESS SPECIFICATIONS: | | | |
| NEXT ASSY: | | THIS DRAWING IS SUPPLIED FOR INFORMATION ONLY. DESIGN FEATURES, SPECIFICATIONS AND PERFORMANCE DATA SHOWN HEREON ARE THE PROPERTY OF THE AMPHENOL CORPORATION. NO RIGHTS OF REPRODUCTION ARE IMPLIED. ALL DIMENSIONS ARE SUBJECT TO NORMAL MANUFACTURING VARIATIONS. | SIZE: B C- DWG NO: MP6ARS8S REVISION: B2 SCALE: 2:1 SHEET 1 OF 1 |

TITLE: ECO-MATE,3.6MM PIN CONTACT,CRIMP 10~16MM²
 DWG NO: MP6ARS8S
 REV: B2
 SH: 1
 OF: 1