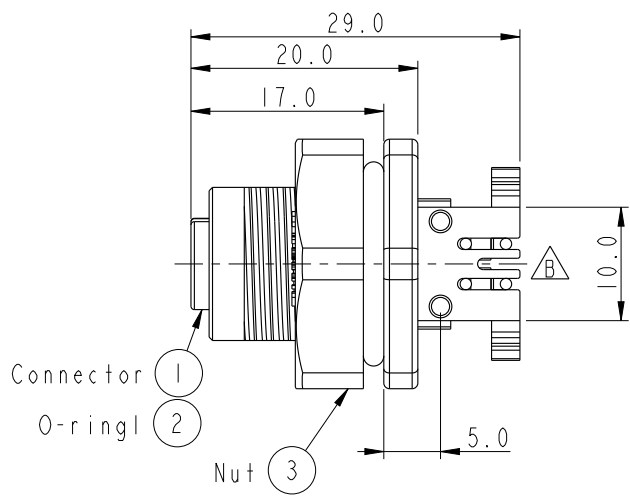
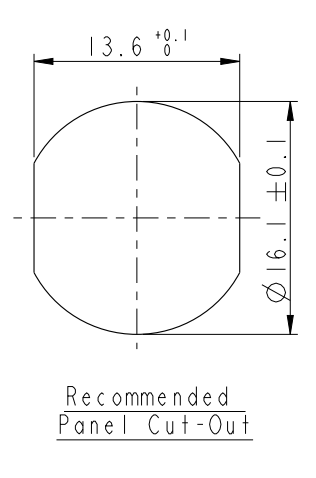
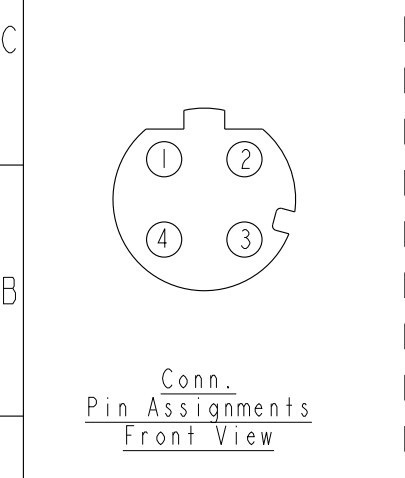
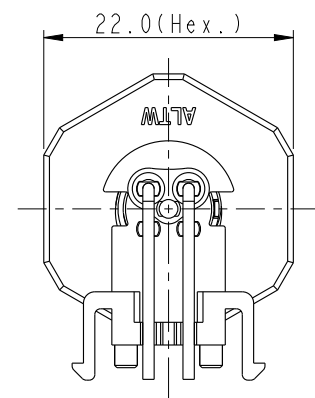
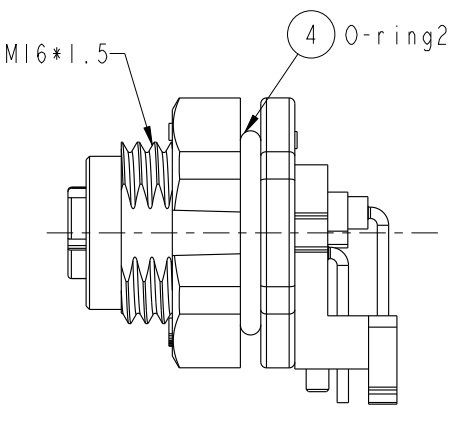
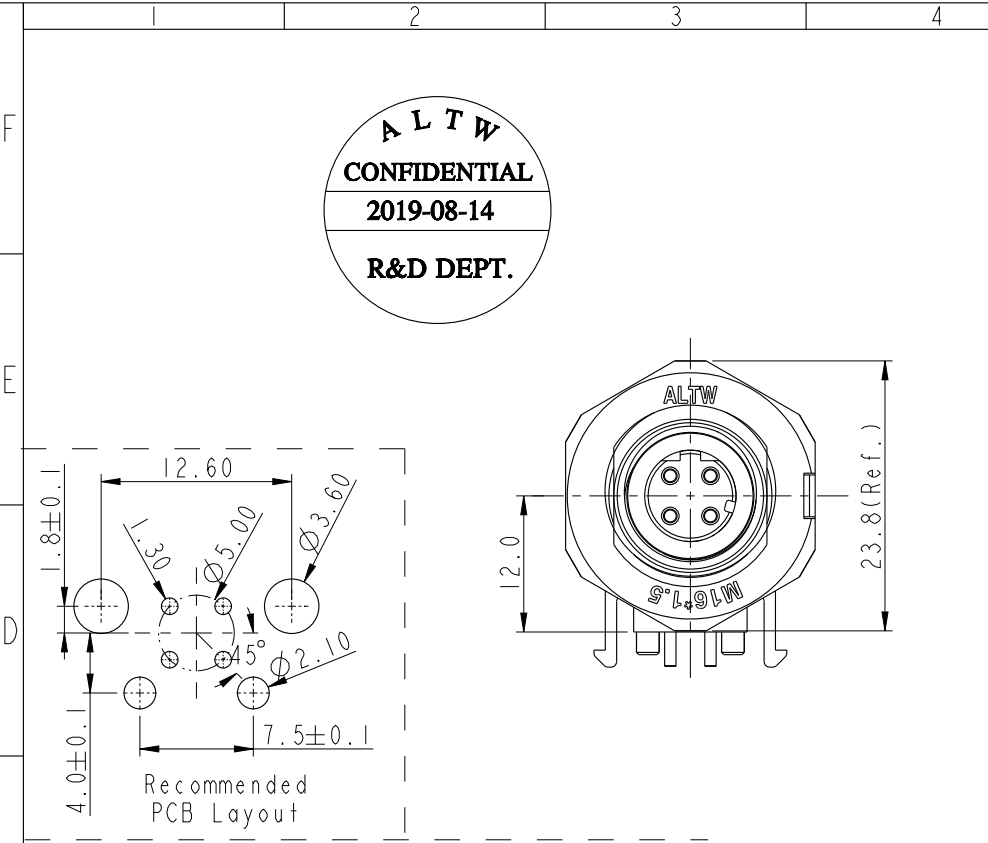


THIS DOCUMENT IS SUBJECT TO CHANGE WITHOUT NOTICE. IT IS CONFIDENTIAL AND A PROPERTY OF AMPHENOL LTW. DISCLOSURE TO THIRD PARTY HAS TO BE AUTHORIZED BY AMPHENOL LTW.

REV.	ECN NO.	DATE	SIGN	DESCRIPTION
B	C191427	2019/08/14	Nan_Su	Change Views

ALTW
CONFIDENTIAL
 2019-08-14
R&D DEPT.



- Note:
- * ⌀ Important Dimension To Check.
 - * Waterproof Rate: IP68
 IP68: 1M Depth Of Water In 24hours
 - * Connector: Nylon+GF, Black
 - * Female Pin: Copper Alloy, Gold Plated
 - * Shell: Nylon+GF, Black
 - * Nut: Nylon+GF, Black
 - * O-ring1: Silicon, Gray
 - * O-ring2: Silicon, Black
 - * Boardlock: PBT+PC, Black
 - * For Panel Thickness Max. 4.0mm
 - * For PCB Thickness Max. 1.6mm

UNIT: mm		TITLE	SENSOR, M12 DCODE, 90° PANEL 4PIN FCONN FPIN, PLASTIC		
TOLERANCE		SCALE	1:1	SIZE	A4
.X	±0.25	REV.	B	WC-REV.	A.1
.XX	±0.1	QC: Inspection item			
.XXX	±0.05				
ANGLES	±1°				

Amphenol LTW
 安費諾亮泰企業股份有限公司

ITEM NO.	MSPD-04PFFR-SF8002	DRAWN BY	Nan_Su	DATE	2019-08-14
DWG NO.	MSPD-04PFFR-SF8002	CHECKED BY	Feng_Li	DATE	2019-08-14
CUSTOMER	ALTW	APPROVED BY	Jerry	DATE	2019-08-14