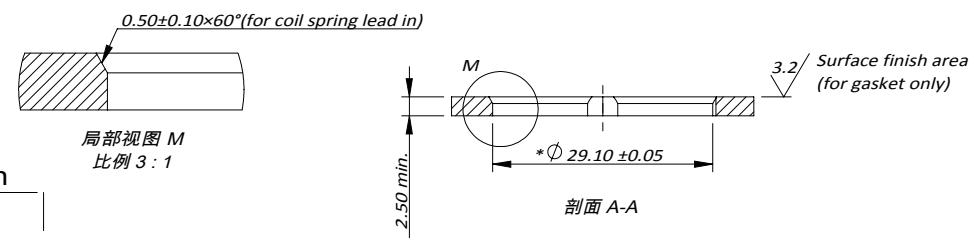
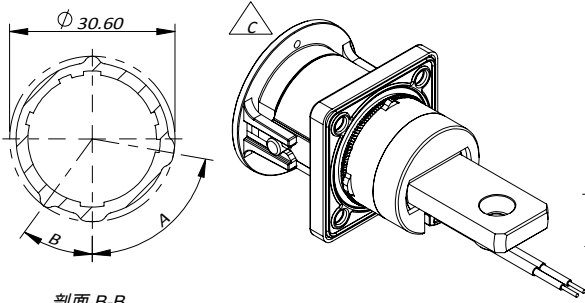
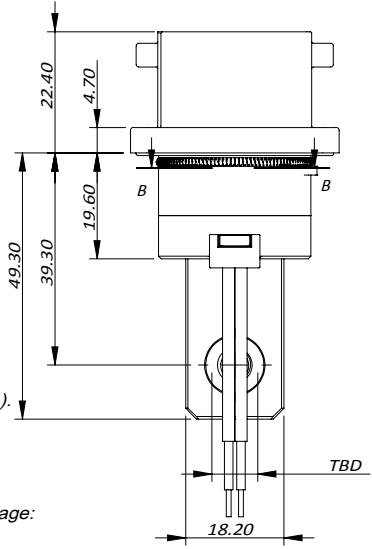
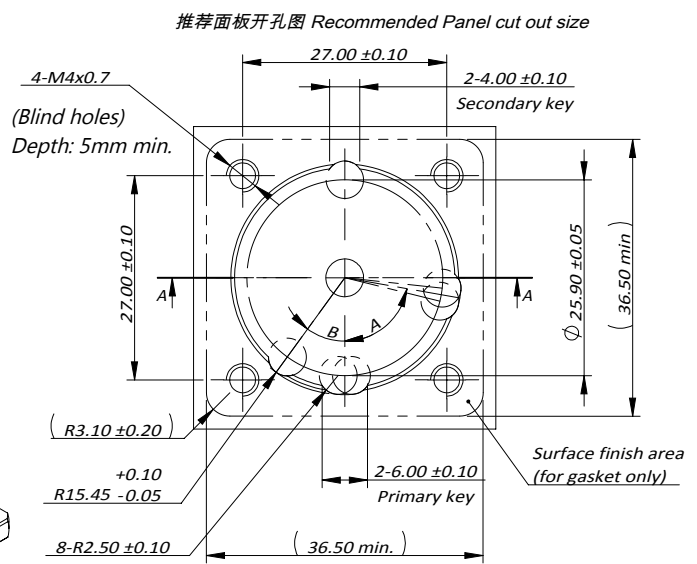
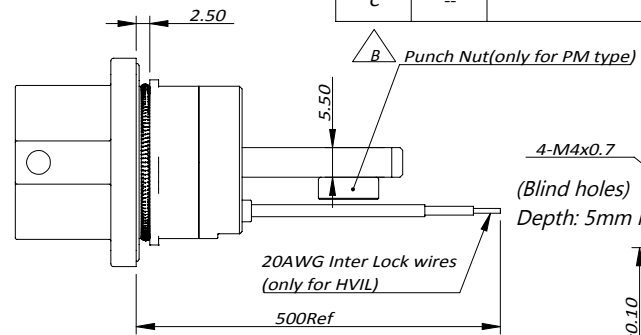
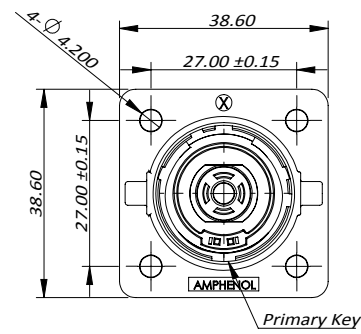


THIS DRAWING IS SUPPLIED FOR INFORMATION ONLY. DESIGN FEATURES, SPECIFICATIONS AND PERFORMANCE DATA SHOWN HEREON ARE THE PROPERTY OF THE AMPHENOL CORPORATION. NO RIGHTS OF REPRODUCTION ARE IMPLIED. ALL DIMENSIONS ARE SUBJECT TO NORMAL MANUFACTURING VARIATIONS.

CUSTOMER DRAWING

REVISIONS					
REV#	ECN#	REVISION ACTION	REV.BY:	APPR.BY:	DATE
A	--	INITIAL RELEASE	JX	JL	03/09/2020
B	--	增加规格参数和Punch Nut 说明	Star	James	10/29/2020
C	--	Add H6/H8/PM8/M10 specifications and dust cap with o-ring	Star	JL	03/01/2021

键位 Key	A	B
X	80°	36°
Y	50°	86°
U	36°	76°
V	100°	56°
W	130°	60°
T	144°	96°



- 规格参数 (Spec.):
- 工作温度 Operating temperature: -40°C ~ +125°C.
 - 带高压互锁 Electrical interlock (HVIL).
 - 额定电流 Current rating: Power: 300A; HVIL: 5A.
 - 额定电压 Operating voltage: Power: 1000 VDC; Signal: 60 VDC.
 - 耐电压 Dielectric withstanding voltage:
 - A. 与插头对插后, Pin与铁壳之间: When mated, between pin and metal shell: 5000 VDC.
 - B. 与插头对插后, Pin与HVIL之间: When mated, between pin and HVIL: 5000 VDC.
 - C. 与插头对插后, HVIL与铁壳之间: When mated, between HVIL and metal shell: 500 VDC.
 - D. 与插头对插前, 两个HVIL端子之间耐压: Before mating, between two HVIL terminals: 500 VDC.
 - 防护等级 Protection class: Mated-IP6k9k & IP67, unmated-IP2X.
 - 电磁屏蔽 360° full Shielding.
 - 机械寿命 Mating cycle: 100 Min.
 - 绝缘材料满足 UL94V-0 Inner insulation material satisfy UL94V-0.
 - 推荐法兰盘螺丝安装扭矩 Recommended Screw Assembly Torque on Flange: 1.6~2.4Nm
 - 推荐铜排安装扭矩 Recommended Fasten Torque on Lug: M6: 3.6~4.4Nm, M8: 7.2~8.8Nm, M10: 17.1~20.9Nm
 - 镀灰锌/锌镍合金, 符合RoHS, 满足500H中性盐雾实验 Gray Zinc/Nickel (ZnNi) Plating. RoHS compliant, Rated at 500 hours salt spray.

订购信息 Ordering Information

PL 00 X-30X - 10D8 - 2

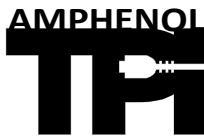
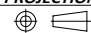
Key and Color	HVIL	Hole Type
"X", Orange	"0", NO HVIL	"D", Through Hole
"Y", Black	"1", With HVIL	"M"=thread hole
"U", Yellow		"H"=slot hole
"V", Green		"PM"=Punch Nut
"W", Red		
"T", Blue		

	Amphenol Technical Products International Asia.					PART NAME: PwrLok 10mm G2 1POS Rcpt Lug
	第三角投影 THIRD ANGLE PROJECTION	页面 SHEET	幅面 SIZE	版次 REV.	比例 SCALE	
签名 SIGNATURE	日期 DATE	UNLESS OTHERWISE SPECIFIED 1) All dimensions are in metric (mm). 2) Tolerances are as follows: 1.PL DEC ± 1.00 2.PL DEC ± 0.50 3.PL DEC ± 0.20			CUST PART #	
制图 DRAWN: Star	03/01/2021	Angles ±1°			CUST REV.	
审核 CHECKED						
批准 APPROVAL						

THIS DRAWING IS SUPPLIED FOR INFORMATION ONLY. DESIGN FEATURES, SPECIFICATIONS AND PERFORMANCE DATA SHOWN HEREON ARE THE PROPERTY OF THE AMPHENOL CORPORATION. NO RIGHTS OF REPRODUCTION ARE IMPLIED. ALL DIMENSIONS ARE SUBJECT TO NORMAL MANUFACTURING VARIATIONS.

1		2		3		4		5		6		7		8	
型号		AC P/N		型号		AC P/N		REVISIONS							
REV#	ECN#	REVISION ACTION				REV.BY:	APPR.BY:	DATE							
PL00X-300-10M6-2	AC-HA010632	PL00X-301-10D10-2	AC-HA010698	INITIAL RELEASE				JX	JL	03/09/2020					
PL00Y-300-10M6-2	AC-HA010633	PL00Y-301-10D10-2	AC-HA010699	增加规格参数和Punch Nut 说明				Star	James	10/29/2020					
PL00U-300-10M6-2	AC-HA010634	PL00U-301-10D10-2	AC-HA010700	Add H6/H8/PM8/M10 specifications and dust cover with o-ring				Star	JL	03/01/2021					
PL00V-300-10M6-2	AC-HA010635	PL00V-301-10D10-2	AC-HA010701												
PL00W-300-10M6-2	AC-HA010636	PL00W-301-10D10-2	AC-HA010702												
PL00T-300-10M6-2	AC-HA010637	PL00T-301-10D10-2	AC-HA010703												
PL00X-300-10M8-2	AC-HA010638	PL00X-300-10PM6-2	AC-HA012138												
PL00Y-300-10M8-2	AC-HA010639	PL00Y-300-10PM6-2	AC-HA012139												
PL00U-300-10M8-2	AC-HA010640	PL00U-300-10PM6-2	AC-HA012140												
PL00V-300-10M8-2	AC-HA010641	PL00V-300-10PM6-2	AC-HA012141												
PL00W-300-10M8-2	AC-HA010642	PL00W-300-10PM6-2	AC-HA012142												
PL00T-300-10M8-2	AC-HA010643	PL00T-300-10PM6-2	AC-HA012143												
PL00X-300-10D6-2	AC-HA010650	PL00X-301-10PM6-2	AC-HA012144												
PL00Y-300-10D6-2	AC-HA010651	PL00Y-301-10PM6-2	AC-HA012145												
PL00U-300-10D6-2	AC-HA010652	PL00U-301-10PM6-2	AC-HA012146												
PL00V-300-10D6-2	AC-HA010653	PL00V-301-10PM6-2	AC-HA012147												
PL00W-300-10D6-2	AC-HA010654	PL00W-301-10PM6-2	AC-HA012148												
PL00T-300-10D6-2	AC-HA010655	PL00T-301-10PM6-2	AC-HA012149												
PL00X-300-10D8-2	AC-HA010656	PL00X-300-10H6-2	AC-HA017883												
PL00Y-300-10D8-2	AC-HA010657	PL00Y-300-10H6-2	AC-HA017884												
PL00U-300-10D8-2	AC-HA010658	PL00U-300-10H6-2	AC-HA017885												
PL00V-300-10D8-2	AC-HA010659	PL00V-300-10H6-2	AC-HA017886												
PL00W-300-10D8-2	AC-HA010660	PL00W-300-10H6-2	AC-HA017887												
PL00T-300-10D8-2	AC-HA010661	PL00T-300-10H6-2	AC-HA017888												
PL00X-300-10D10-2	AC-HA010662	PL00X-301-10H6-2	AC-HA017889												
PL00Y-300-10D10-2	AC-HA010663	PL00Y-301-10H6-2	AC-HA017890												
PL00U-300-10D10-2	AC-HA010664	PL00U-301-10H6-2	AC-HA017891												
PL00V-300-10D10-2	AC-HA010665	PL00V-301-10H6-2	AC-HA017892												
PL00W-300-10D10-2	AC-HA010666	PL00W-301-10H6-2	AC-HA017893												
PL00T-300-10D10-2	AC-HA010667	PL00T-301-10H6-2	AC-HA017894												
PL00X-301-10M6-2	AC-HA010668	PL00X-300-10H8-2	AC-HA017895												
PL00Y-301-10M6-2	AC-HA010669	PL00Y-300-10H8-2	AC-HA017896												
PL00U-301-10M6-2	AC-HA010670	PL00U-300-10H8-2	AC-HA017897												
PL00V-301-10M6-2	AC-HA010671	PL00V-300-10H8-2	AC-HA017898												
PL00W-301-10M6-2	AC-HA010672	PL00W-300-10H8-2	AC-HA017899												
PL00T-301-10M6-2	AC-HA010673	PL00T-300-10H8-2	AC-HA017900												
PL00X-301-10M8-2	AC-HA010674	PL00X-301-10H8-2	AC-HA017901												
PL00Y-301-10M8-2	AC-HA010675	PL00Y-301-10H8-2	AC-HA017902												
PL00U-301-10M8-2	AC-HA010676	PL00U-301-10H8-2	AC-HA017903												
PL00V-301-10M8-2	AC-HA010677	PL00V-301-10H8-2	AC-HA017904												
PL00W-301-10M8-2	AC-HA010678	PL00W-301-10H8-2	AC-HA017905												
PL00T-301-10M8-2	AC-HA010679	PL00T-301-10H8-2	AC-HA017906												
PL00X-301-10D6-2	AC-HA010686	PL00X-300-10M10-2	AC-HA017907												
PL00Y-301-10D6-2	AC-HA010687	PL00Y-300-10M10-2	AC-HA017908												
PL00U-301-10D6-2	AC-HA010688	PL00U-300-10M10-2	AC-HA017909												
PL00V-301-10D6-2	AC-HA010689	PL00V-300-10M10-2	AC-HA017910												
PL00W-301-10D6-2	AC-HA010690	PL00W-300-10M10-2	AC-HA017911												
PL00T-301-10D6-2	AC-HA010691	PL00T-300-10M10-2	AC-HA017912												
PL00X-301-10D8-2	AC-HA010692	PL00X-301-10M10-2	AC-HA017913												
PL00Y-301-10D8-2	AC-HA010693	PL00Y-301-10M10-2	AC-HA017914												
PL00U-301-10D8-2	AC-HA010694	PL00U-301-10M10-2	AC-HA017915												
PL00V-301-10D8-2	AC-HA010695	PL00V-301-10M10-2	AC-HA017916												
PL00W-301-10D8-2	AC-HA010696	PL00W-301-10M10-2	AC-HA017917												
PL00T-301-10D8-2	AC-HA010697	PL00T-301-10M10-2	AC-HA017918												

型号	AC P/N
PL00X-301-10PM8-2	AC-HA017919
PL00Y-300-10PM8-2	AC-HA017920
PL00U-300-10PM8-2	AC-HA017921
PL00V-300-10PM8-2	AC-HA017922
PL00W-300-10PM8-2	AC-HA017923
PL00T-300-10PM8-2	AC-HA017924
PL00X-301-10PM8-2	AC-HA017925
PL00Y-301-10PM8-2	AC-HA017926
PL00U-301-10PM8-2	AC-HA017927
PL00V-301-10PM8-2	AC-HA017928
PL00W-301-10PM8-2	AC-HA017929
PL00T-301-10PM8-2	AC-HA017930

	Amphenol Technical Products International Asia.						PART NAME:	
	第三角投影 THIRD ANGLE PROJECTION	页面 SHEET	幅面 SIZE	版次 REV.	比例 SCALE	PwrLok 10mm G2 1POS Rcpt Lug		
		2 OF 2	A4	C				
	签名 SIGNATURE	日期 DATE	UNLESS OTHERWISE SPECIFIED			DWG NO:		
	制图 DRAWN	Star	03/01/2021	1) All dimensions are in metric(mm). 2) Tolerances are as follows: 1.PL DEC ± 1.00 2.PL DEC ± 0.50 3.PL DEC ± 0.20			PL00X-30X-10XX-2	
审核 CHECKED			Angles ±1°			CUST PART #		
批准 APPROVAL						N/A		
						CUST REV.		
						N/A		