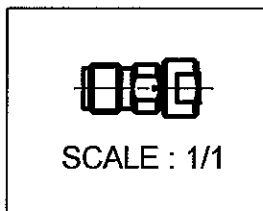
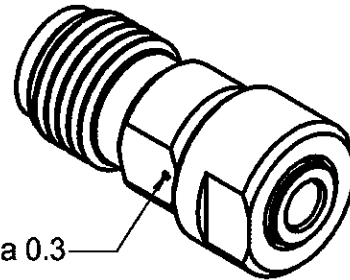
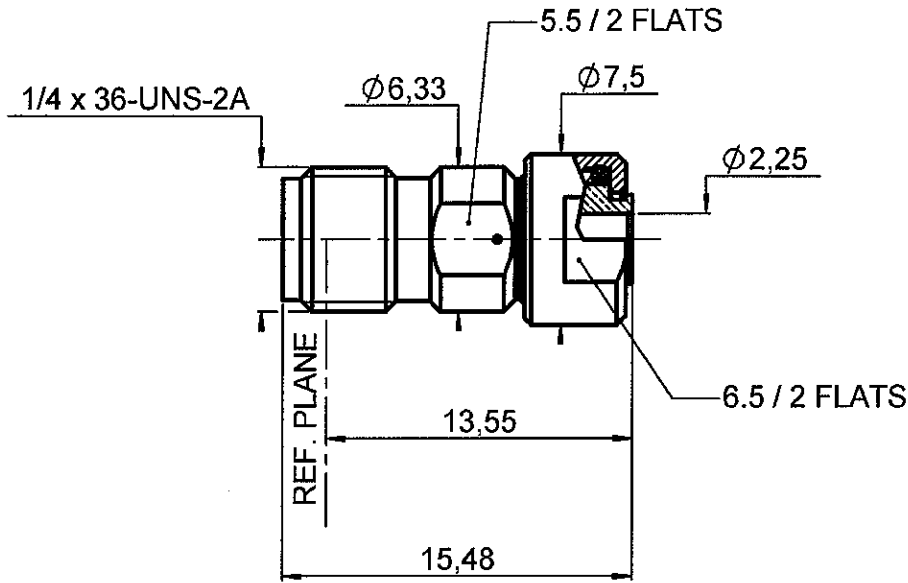


**STRAIGHT JACK SOLDER TYPE CAPTIVE CONT.**

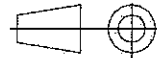
**R127.820.001**

**CABLE .085 MICROPOROUS**

Series : SMA2.9



All dimensions are in mm.



COMPONENTS	MATERIALS	PLATINGS (µm)
BODY	STAINLESS STEEL	PASSIVATED .
CENTER CONTACT	BERYLLIUM COPPER	GOLD 1.3 OVER NICKEL 2
OUTER CONTACT	BRASS	GOLD 1.3 OVER NICKEL 2
INSULATOR	ULTEM1000	
GASKET	SILICONE RUBBER	
OTHERS PARTS	BRASS	GOLD 0.2 OVER NICKEL 2
-	-	-
-	-	-

Issue : 0519 B

In the effort to improve our products, we reserve the right to make changes judged to be necessary.



**STRAIGHT JACK SOLDER TYPE CAPTIVE CONT.**

**R127.820.001**

**CABLE .085 MICROPOROUS**

Series : SMA2.9

**PACKAGING**

Standard	Unit	Other
1	-	Contact us

**SPECIFICATION**

**ELECTRICAL CHARACTERISTICS**

Impedance		<b>50</b> Ω
Frequency		<b>0-40</b> GHz
VSWR	<b>1.05</b> +	<b>0.005</b> x F(GHz) Maxi
Insertion loss		<b>0.03</b> √F(GHz) dB Maxi
RF leakage	- (	<b>90</b> - F(GHz)) dB Maxi
Voltage rating		<b>350</b> Veff Maxi
Dielectric withstanding voltage		<b>750</b> Veff mini
Insulation resistance		<b>5000</b> MΩ mini

**CABLE ASSEMBLY**

Stripping	a	b	c	d	e	f
mm	1.78	0.00	0.00	0.00	0.00	0.00

Assembly instruction :

Recommended cable(s)  
UT 85-LL

Characteristics indicated on this data sheet are those that can be achieved with the highest performance cable. Intrinsic limitations of the cable may diminish the performance of the assembly  
Cable retention

- pull off **200** N mini
- torque **11.28** N.cm

**MECHANICAL CHARACTERISTICS**

Center contact retention		
Axial force – Mating end	<b>27</b>	N mini
Axial force – Opposite end	<b>27</b>	N mini
Torque	<b>NA</b>	N.cm mini

Recommended torque		
Mating	<b>NA</b>	N.cm
Panel nut	<b>NA</b>	N.cm
Clamp nut	<b>100</b>	N.cm
A/F clamp nut	<b>6.500</b>	mm

Mating life	<b>500</b>	Cycles mini
Weight	<b>2.800</b>	g

**TOOLING**

Part Number	Description	Hexagon
.	.	.
R282.120.220	SMA 2.9 TOOLBOX	
. Or spare tools	-	
R282.740.000	SOLDERING MOUNTING	
R282.744.190	SOLDERING POSITIONER	
R282.059.010	CABLE HOLDER	
R282.051.030	STRIPPING TOOL .085 MIPRO.	
R282.061.030	POINTER GAUGE	
R282.323.000	TORQUE WRENCH	

**ENVIRONMENTAL**

Operating temperature	<b>-65/+165</b>	° C
Hermetic seal	<b>NA</b>	Atm.cm3/s
Panel leakage	<b>NA</b>	

**OTHERS CHARACTERISTICS**

Issue : 0519 B

In the effort to improve our products, we reserve the right to make changes judged to be necessary.



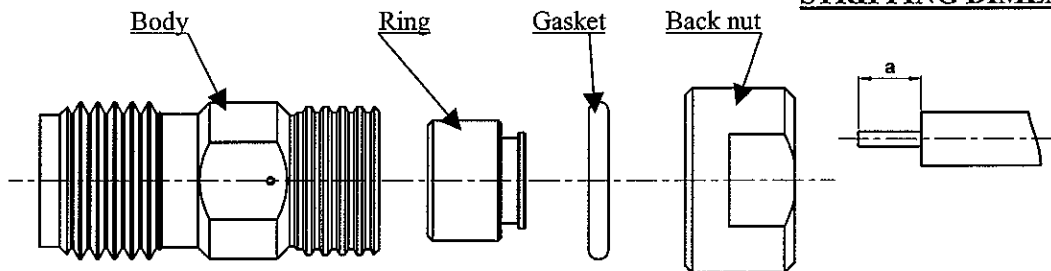
**STRAIGHT JACK SOLDER TYPE CAPTIVE CONT.**

**R127.820.001**

**CABLE .085 MICROPOROUS**

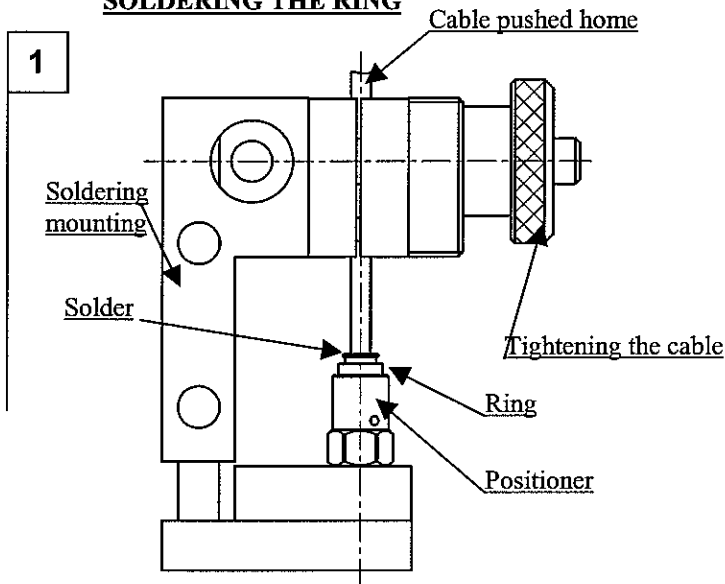
Series : SMA2.9

**COMPONENTS**



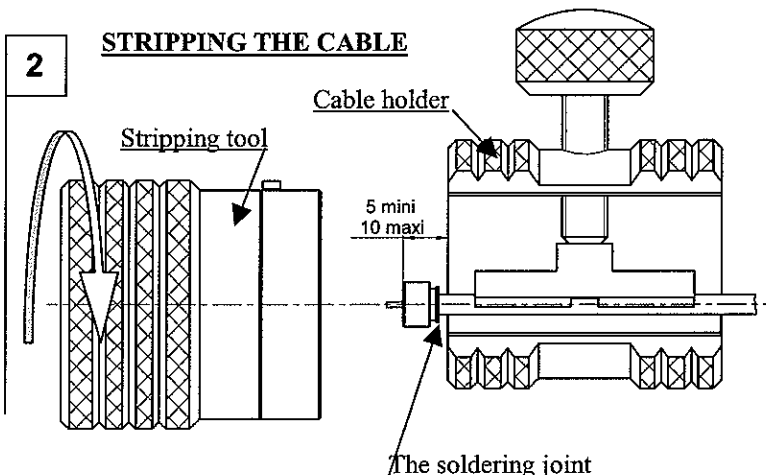
**STRIPPING DIMENSION**

**SOLDERING THE RING**



- Cut the cable to the desired length.
- Put the gasket until it bottoms against the nut (see figure paragraph 4 for the position).
- Slide the back nut onto the cable before soldering operation.
- Place the cable in the soldering mounting.
- Fit the ring and positioner on the cable, and tighten.
- Solder the ring on the cable.
- Clean the soldering.

**STRIPPING THE CABLE**



- Immobilize the cable using the thumb screw on the cable holder. Do not tighten the soldered joint.
- Check the position of cable in the v form of cable holder.
- Position the stripping tool opposite the cable holder.
- Turn and push both elements with respect to each other. Once they are bearing against each other, pull without turning.
- Remove the residue of dielectric around the inner cable with a scalpel.

Issue : 0519 B

In the effort to improve our products, we reserve the right to make changes judged to be necessary.



**STRAIGHT JACK SOLDER TYPE CAPTIVE CONT.**

**R127.820.001**

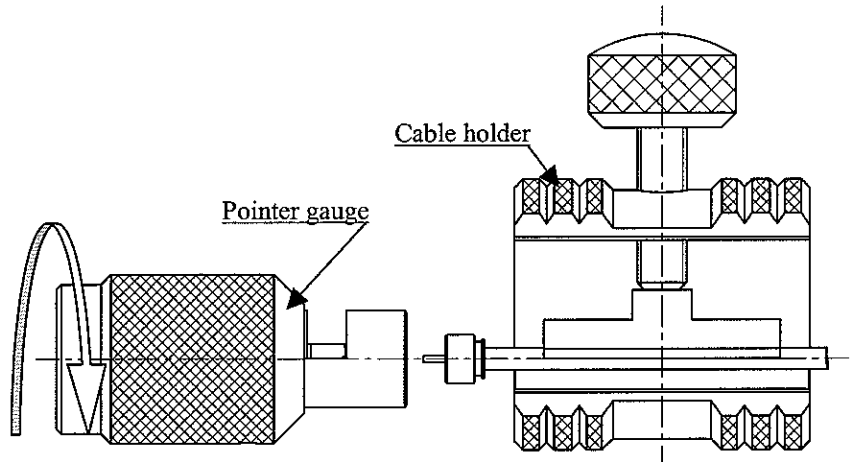
**CABLE .085 MICROPOROUS**

Series : SMA2.9

**3**

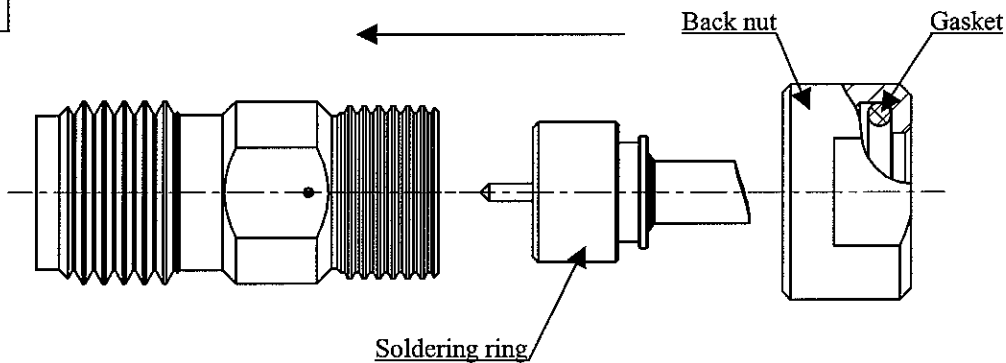
**CABLE POINTER**

- Position the pointer gauge opposite the cable holder.
- Turn and push both elements with respect to each other until fully home.
- Remove the cable from the cable holder.
- Check the trimming.



**4**

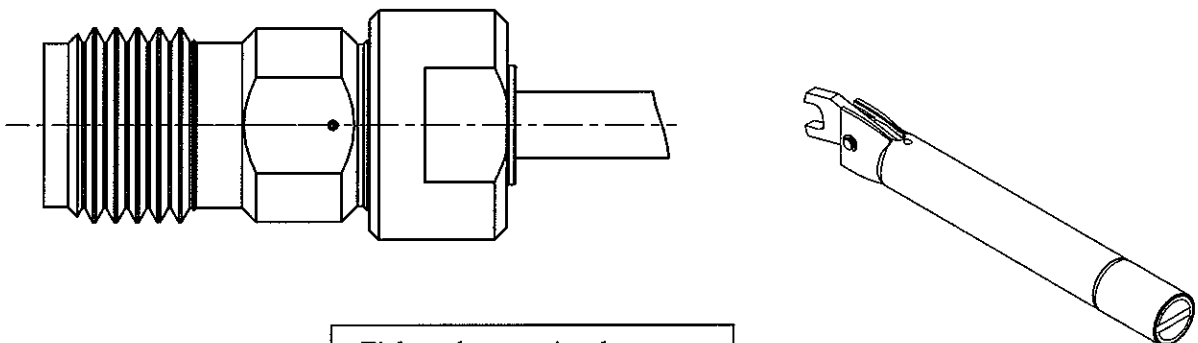
**FITTING ON CONNECTOR**



-Fit the soldered ring in the body housing.

**5**

**TIGHTENING OF BACK NUT**



-Tighten the nut using the torque wrench(8.67 Inchs/Lbs).

Issue : 0519 B

In the effort to improve our products, we reserve the right to make changes judged to be necessary.

