

B0644-SCH-01

RD5-2690 -- Mystique STDP2690 (DP to DP++) Reference Design

PCB# 400-628

Revision History

SCHEMATIC	SHEET
01. Contents, Revision History	1
02. Block Diagram	2
03. Regulators	3
04. DPRX Input	4
05. STDP2690 System Section	5
06. STDP2690 Power Section	6
07. DPTX Output	7

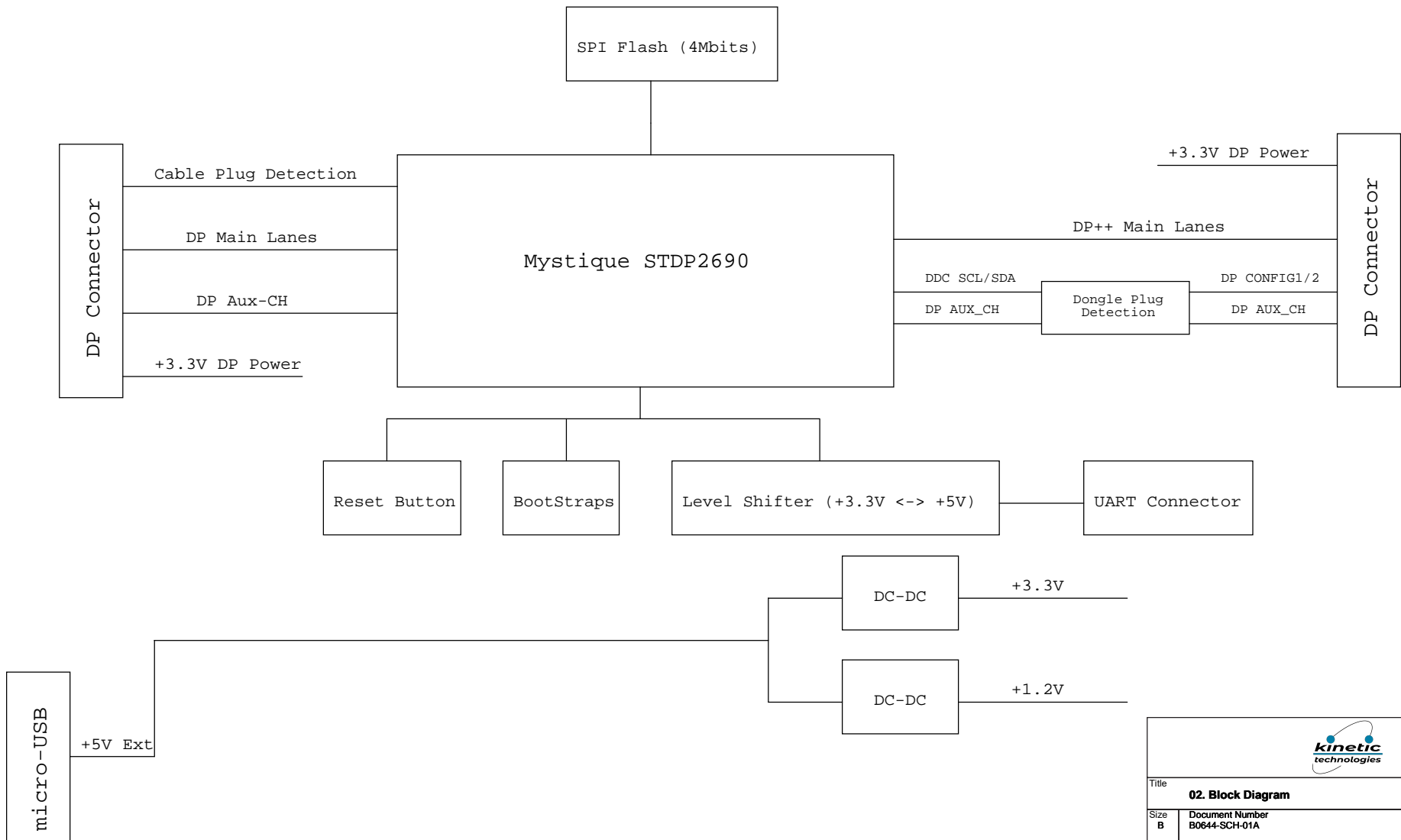
Date	Version	Comments
4/12/2011	A	Preliminary release.
9/24/2014	A	Change Titleblocks to MegaChips
03/14/2020	03a	Update to Kinetic format.

Layout Notes:

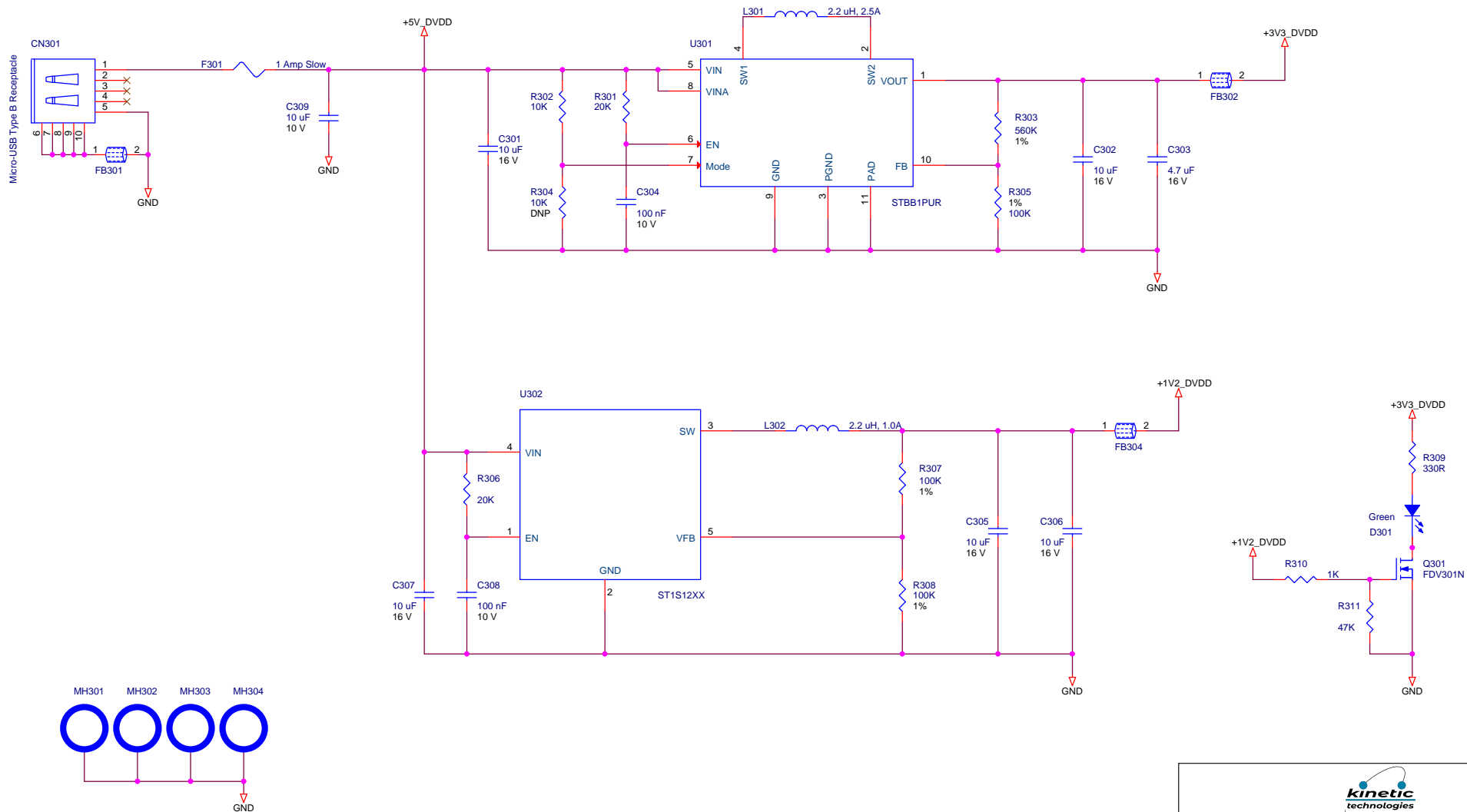
1. 50 ohms impedance on all LVTTTL traces
2. 100 ohms differential impedance on all HDMI trace pairs
3. 100 ohms differential impedance on all DP trace pairs



Title		
01. Contents		
Size	Document Number	Rev
B	B0644-SCH-01A	03a
Date:	Saturday, March 14, 2020	Sheet 1 of 7

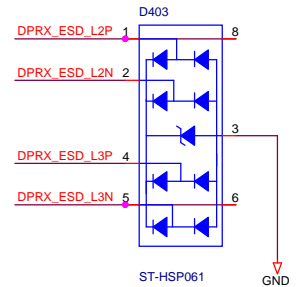
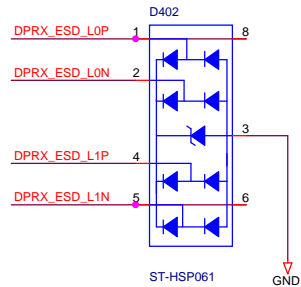
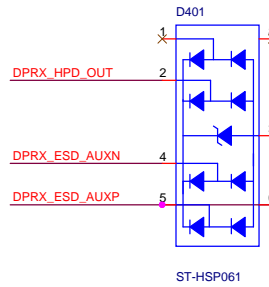
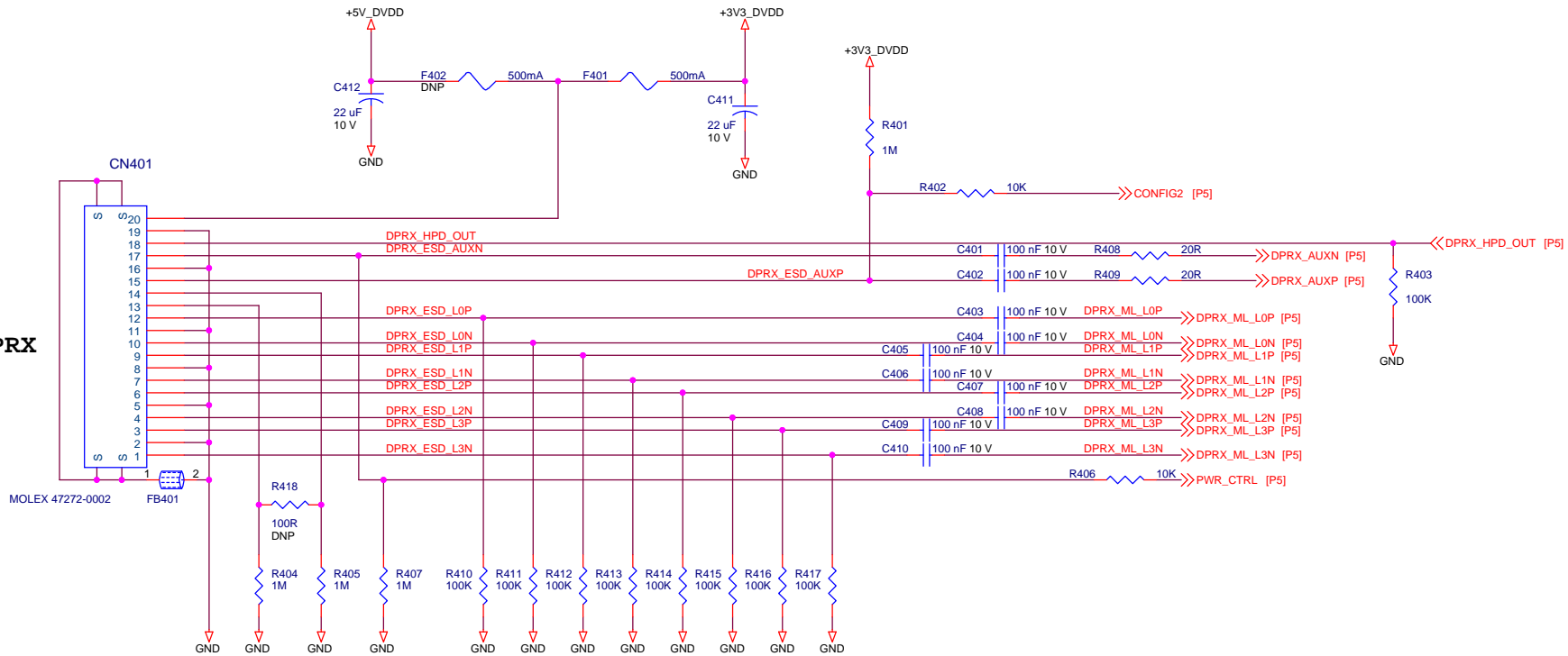


Title		
02. Block Diagram		
Size	Document Number	Rev
B	B0644-SCH-01A	03a
Date:	Saturday, March 14, 2020	Sheet 2 of 7

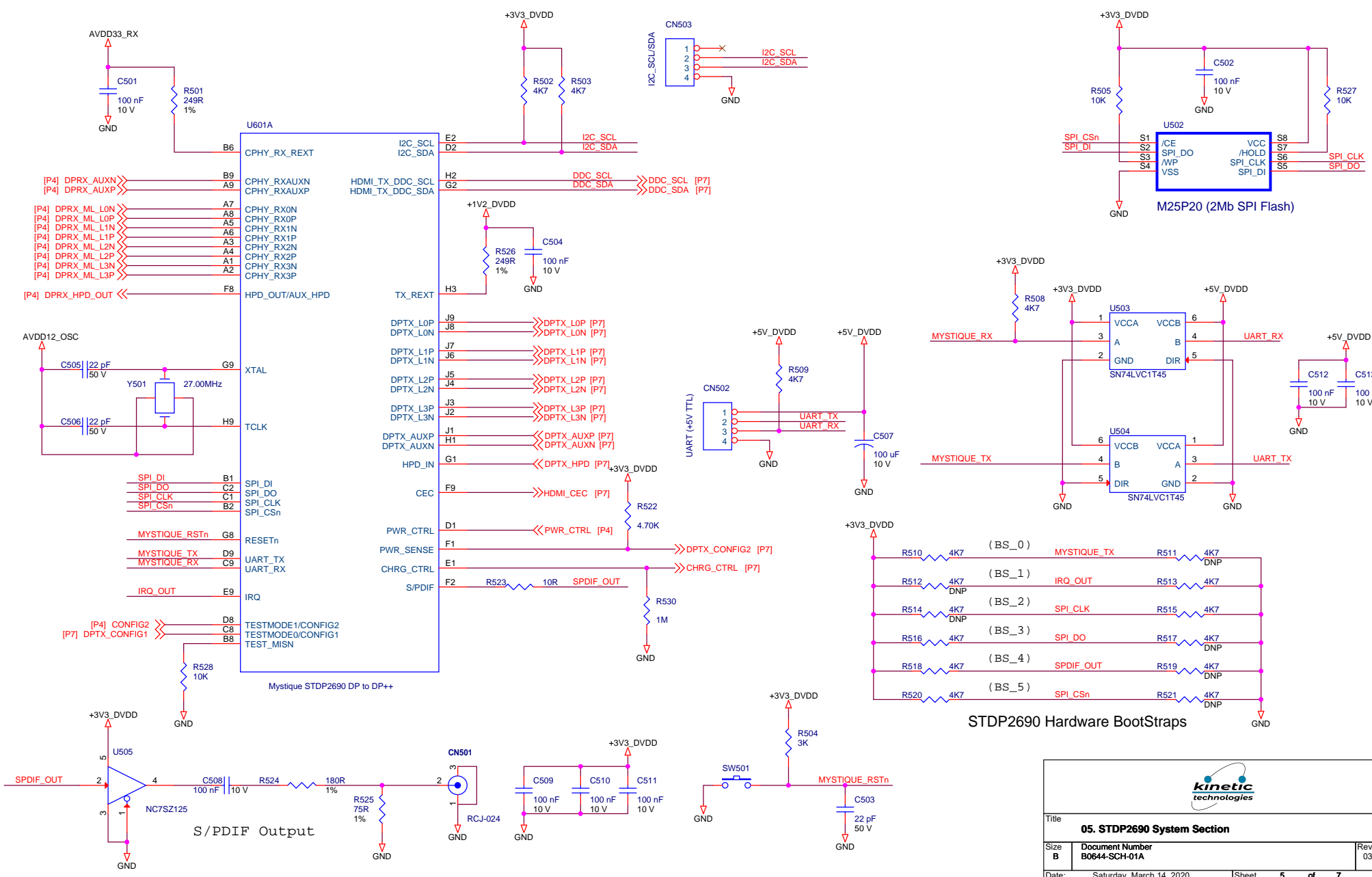



Title		
03. Regulators		
Size B	Document Number B0644-SCH-01A	Rev 03a
Date: Saturday, March 14, 2020	Sheet 3 of 7	

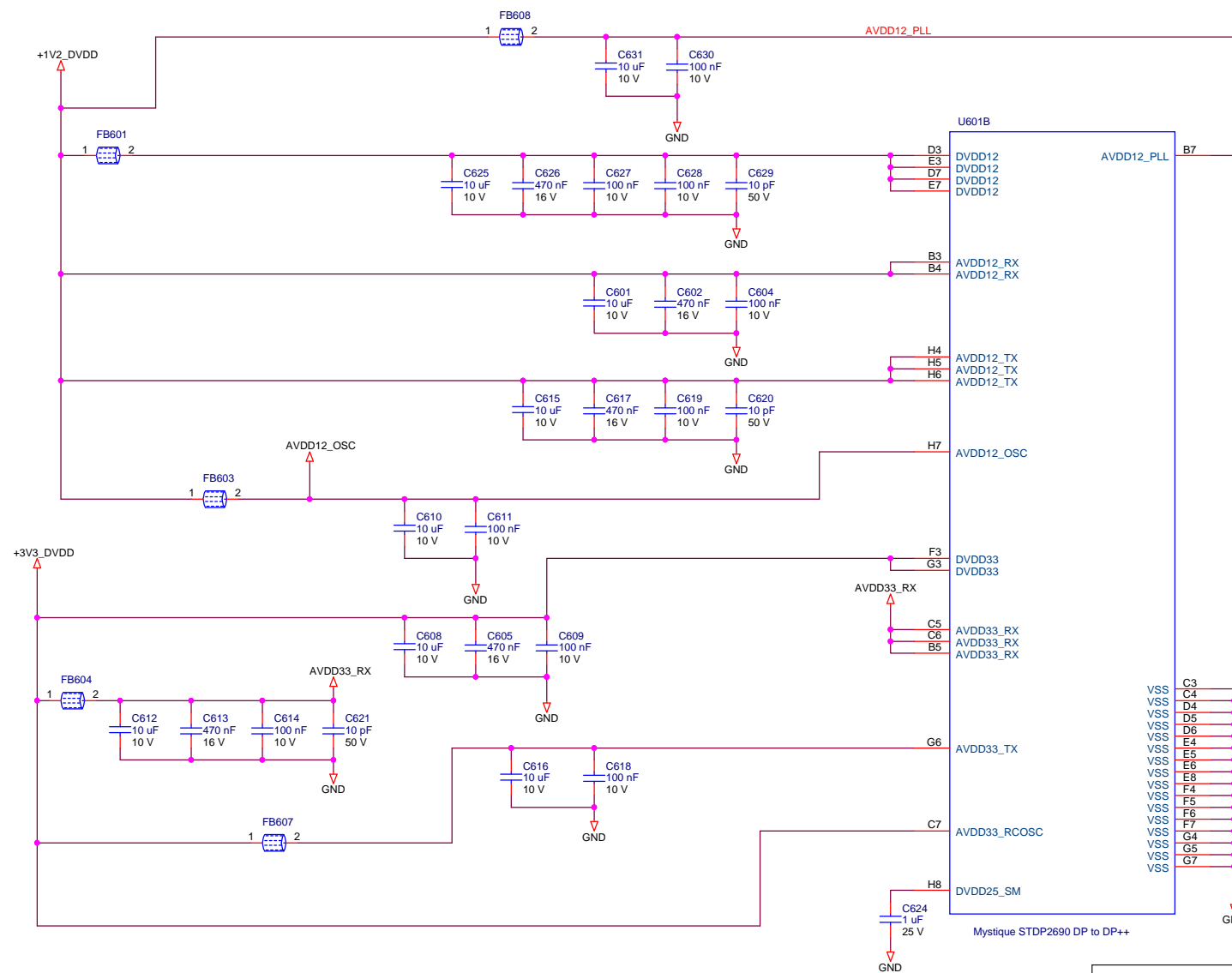
DPRX



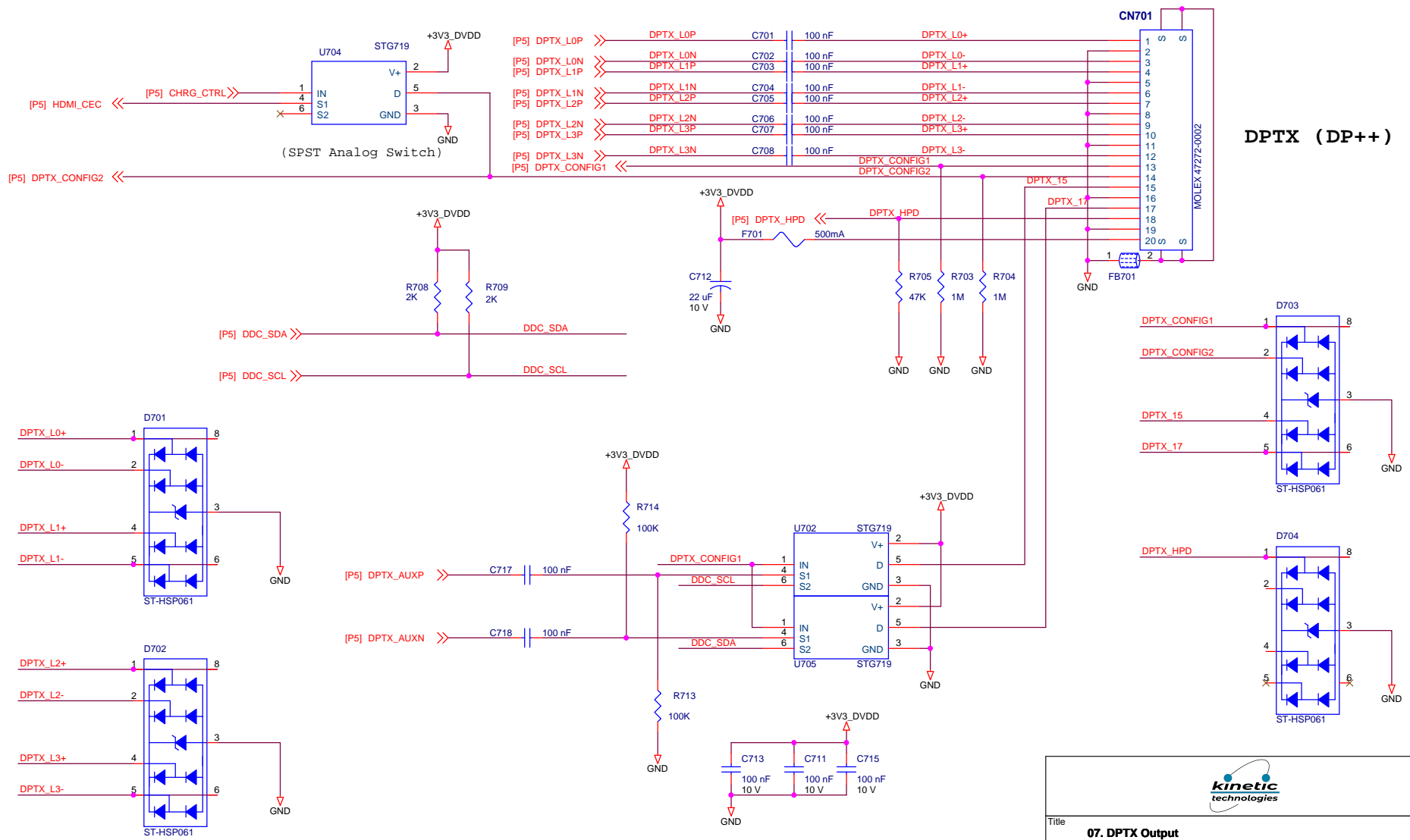
Title		
04. DPRX Input		
Size	Document Number	Rev
B	B0644-SCH-01A	03a
Date:	Saturday, March 14, 2020	Sheet 4 of 7



		
Title		
05. STDP2690 System Section		
Size	Document Number	Rev
B	B0644-SCH-01A	03a
Date:	Saturday, March 14, 2020	Sheet 5 of 7



Title		
06. STDP2690 Power Section		
Size	Document Number	Rev
B	B0644-SCH-01A	03a
Date:	Saturday, March 14, 2020	Sheet 6 of 7



DPTX (DP++)



Title		
07. DPTX Output		
Size B	Document Number B0644-SCH-01A	Rev 03a
Date: Saturday, March 14, 2020	Sheet 7 of 7	