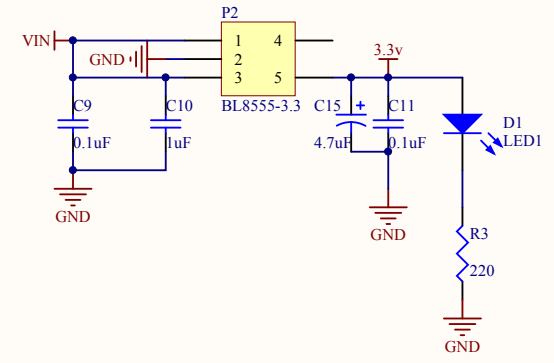
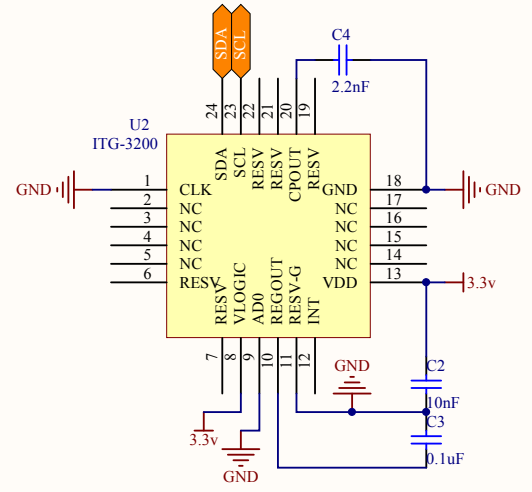
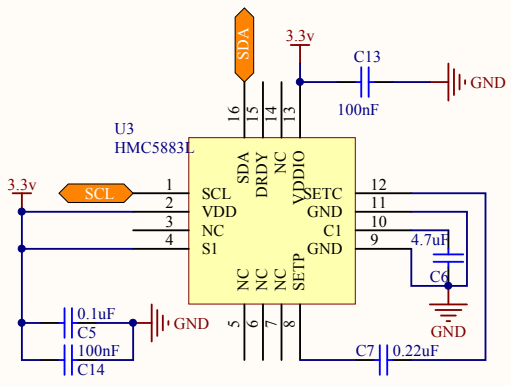


I2C Interface



Notes:
 Recommend Input voltage range: 3.3~8 V
 Working Voltage: 3.3v

Title Fly maple -10DOF		
Size A4	Number	Revision v1.0
Date: 11/10/2012	Sheet of	
File: E:\Backup of Project Codes\10 Dof sensor\Draw\B\SchDoc		