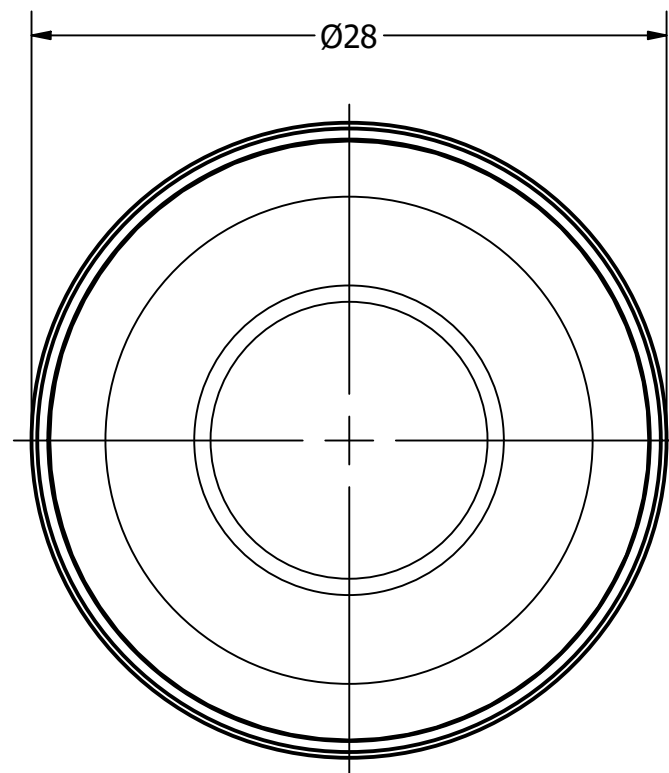
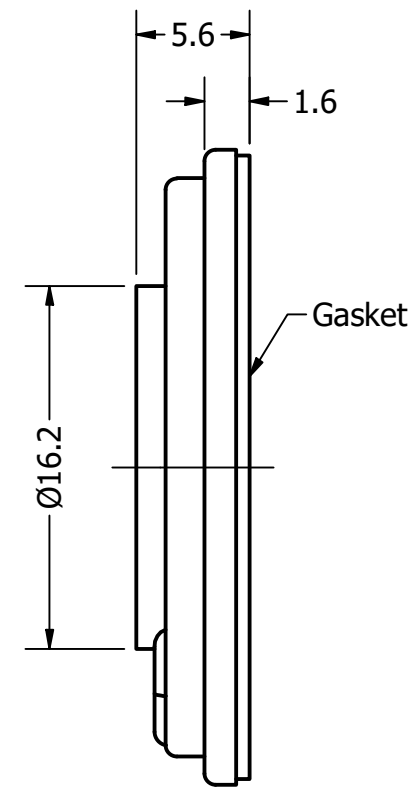


Part Number:	SM280508-2	
DRAWN	CJ	4/5/2021
CHECKED	P.D.	4/5/2021
APPROVED	J.S.	4/5/2021
Description:	Dynamic Speaker	
This document contains data proprietary to DB Unlimited. Any use or reproduction, in any form, without prior written permission of DB Unlimited is prohibited. All terms and conditions can be found at <a href="http://www.dbunlimitedco.com">www.dbunlimitedco.com</a>		

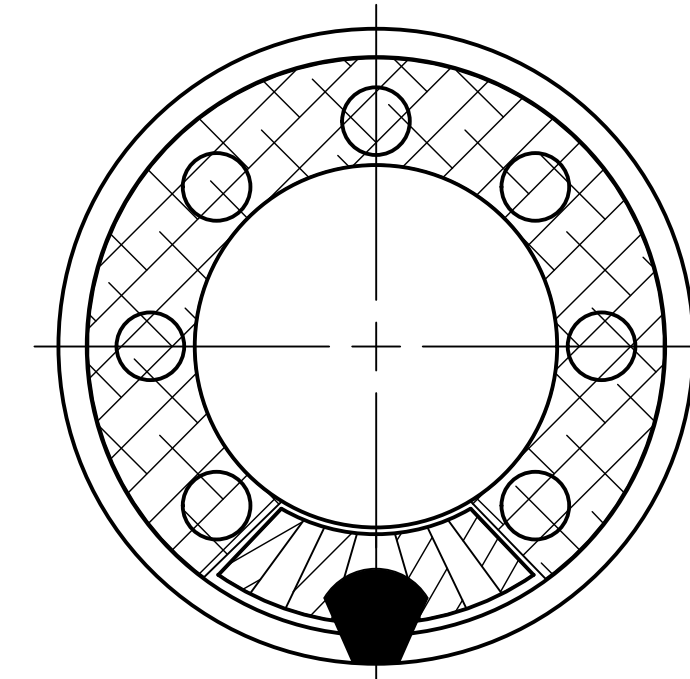
Top View



Side View



Bottom View



Items	Specifications	Conditions
Sound Pressure Level	92	dB (@ 10cm)
Resonant Frequency	550	Hz
Frequency Range	550 ~ 9,000	Hz
Nominal Power	1.5	W
Max. Power	3.0	W
Impedance	8	Ω
Cone Material	Paper	
Mount Type	Flush Mount	
Storage Temperature	-30 ~ +60	°C
Operating Temperature	-20 ~ +60	°C
Weight	8.7	g

REVISION HISTORY

REV	DESCRIPTION	DATE	APPROVED
	Released from Engineering	2/5/2014	J.S.
1	Revised cone material to paper, updated to new template	4/5/2021	J.S.

NOTES

- 1) All dimensions are in mm unless otherwise noted
- 2) All tolerances are ± 0.5 mm unless otherwise noted
- 3) All parts meet RoHS
- 4) Subject to change or redrawn without notice