

■ Features

- Single output from 3W
- 100-240Vac Universal Input
- Certificates: UL
- Frequency: 50-60Hz
- Ripple: 200mV
- SCP & OCP
- Input Plug: US
- Efficiency Level: VI
- Dimension: 60x39x34mm(exclude plug)

■ Application

- Consumer electronics, Telecom and office equipment
- Industrial equipment



*Product images are for illustrative purposes only and may vary from actual design.

■ Model List

Custom Designs Available!

Model	Output Voltage	Output Current	Power	Certifications
WM03Q-050C-A-XX	5V	0.3A	1.5W	UL
WM03Q-120C-A-XX	12V	0.3A	3.6W	UL

■ Technical Data

Input Voltage	100-240Vac
Input Frequency	50/60Hz
Input Current	0.3A max
Inrush Current	25°C cold start at 240Vac
Leakage Current	0.25mA Max. at 240Vac input
Line Regulation	±2%
Load Regulation	±5%
Ripple and Noise	200mVp-p
Turn on delay time	3s
Rise time	40mS
Hold up time	5mS
Efficiency	69.7%(5V); Level VI
Overshoot	15% Max, when power supply is turned off/on
Standby Power	0.1W Max at 115Vac
Short Circuit Protection	Auto recovery when short circuit fault is removed
Over Current Protection	Auto recovery when over current fault is removed

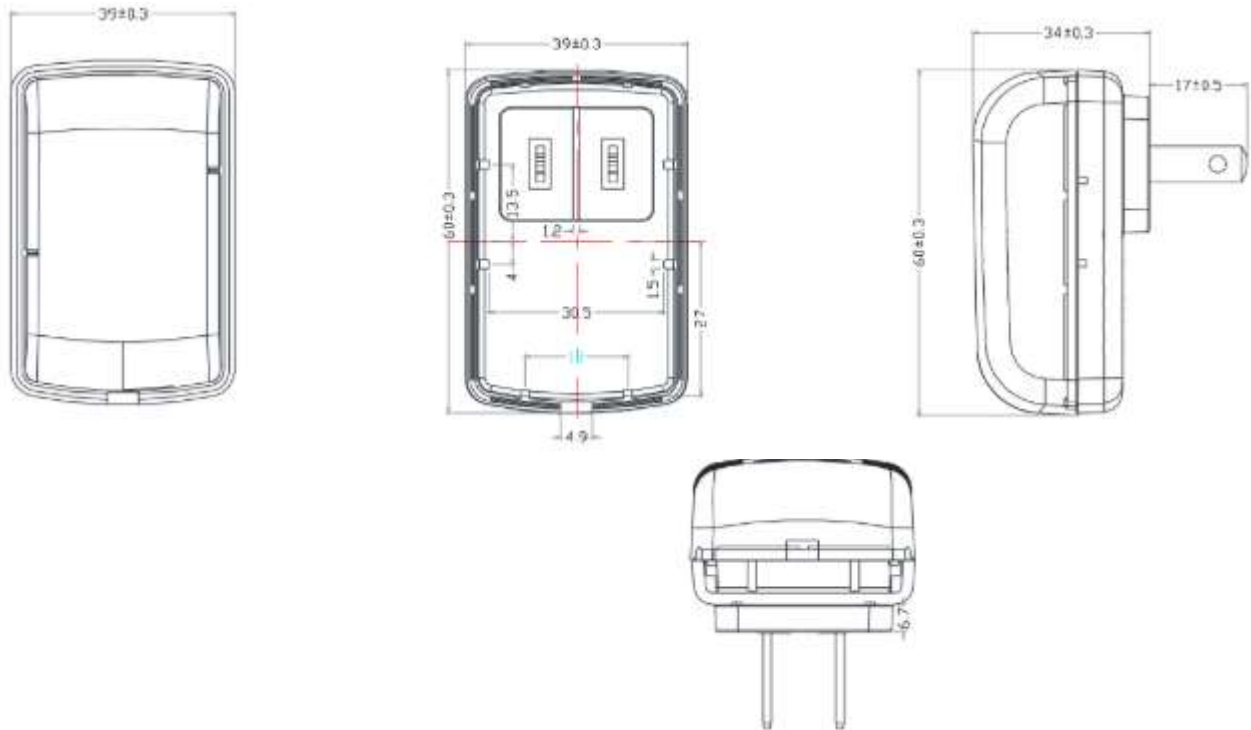
■ Technical Data

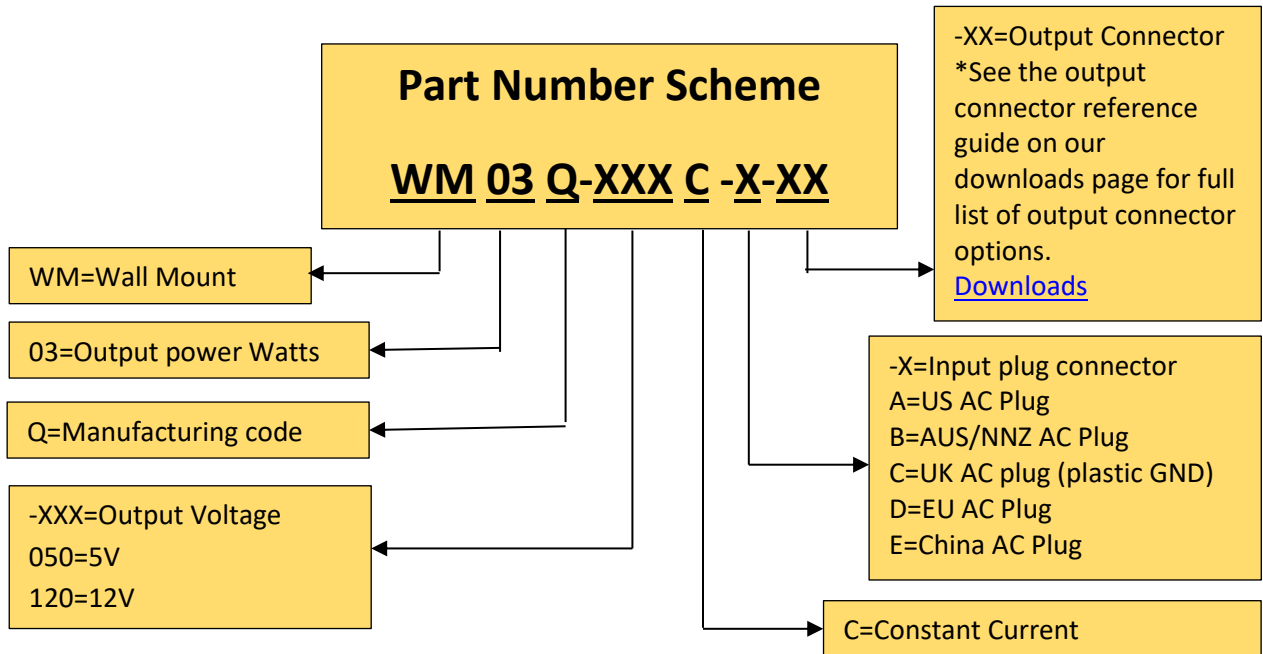
Operating Temperature	0°C to 40°C, Full load
Storage Temperature	-20°C-60°C
Relative Humidity	5%(0°C) ~90%(40°C)RH, 72hrs, full load
Vibration	IEC 721-3-3 3M3
Dimensions LxWxH	60x39x34mm 2.36x1.5x1.3in
Packing	120Pcs/ Carton; Carton size 490x340x310mm

■ Safety and EMI Standard

Safety	UL60950
Dielectric Strength Hi-Pot Primary to secondary	4242Vdc/5mA/60S
Insulation resistance Primary to secondary	20MΩ min at 500V
EMI Standard	FCC part15 class B rules, EN55032 class B Rules, GB17625.1-2012; AS/NZS CISPR32:2015, IEC61000-4-5, IEC61000-4-2.

■ Mechanical Diagram





*Product images are for illustrative purposes only and may vary from actual design.

*Specifications are subject to change without notice. Autec is not responsible for issues arising from errors or omissions.